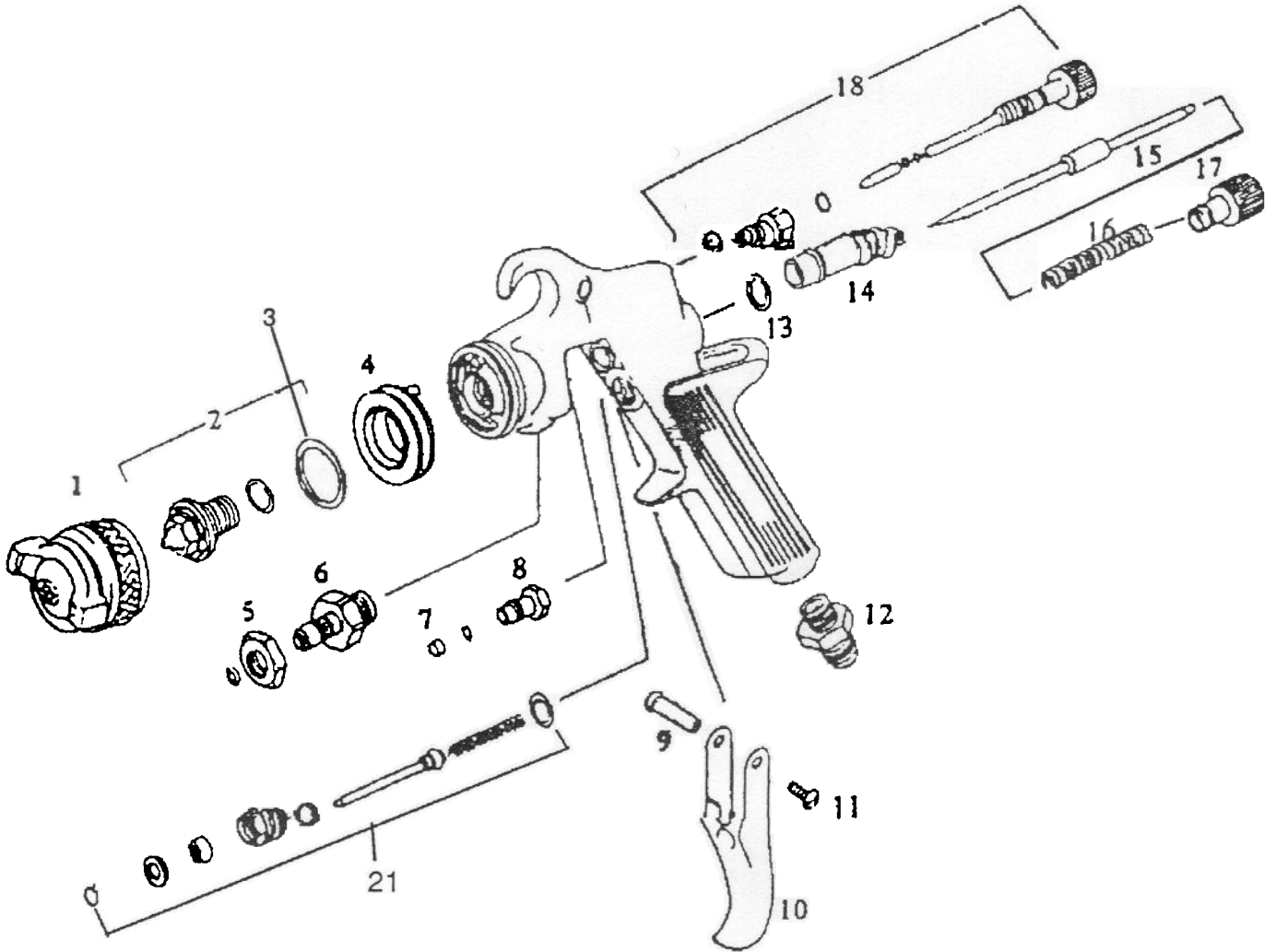


NA93 SPRAY GUN 1.6 mm Standard Set Up.



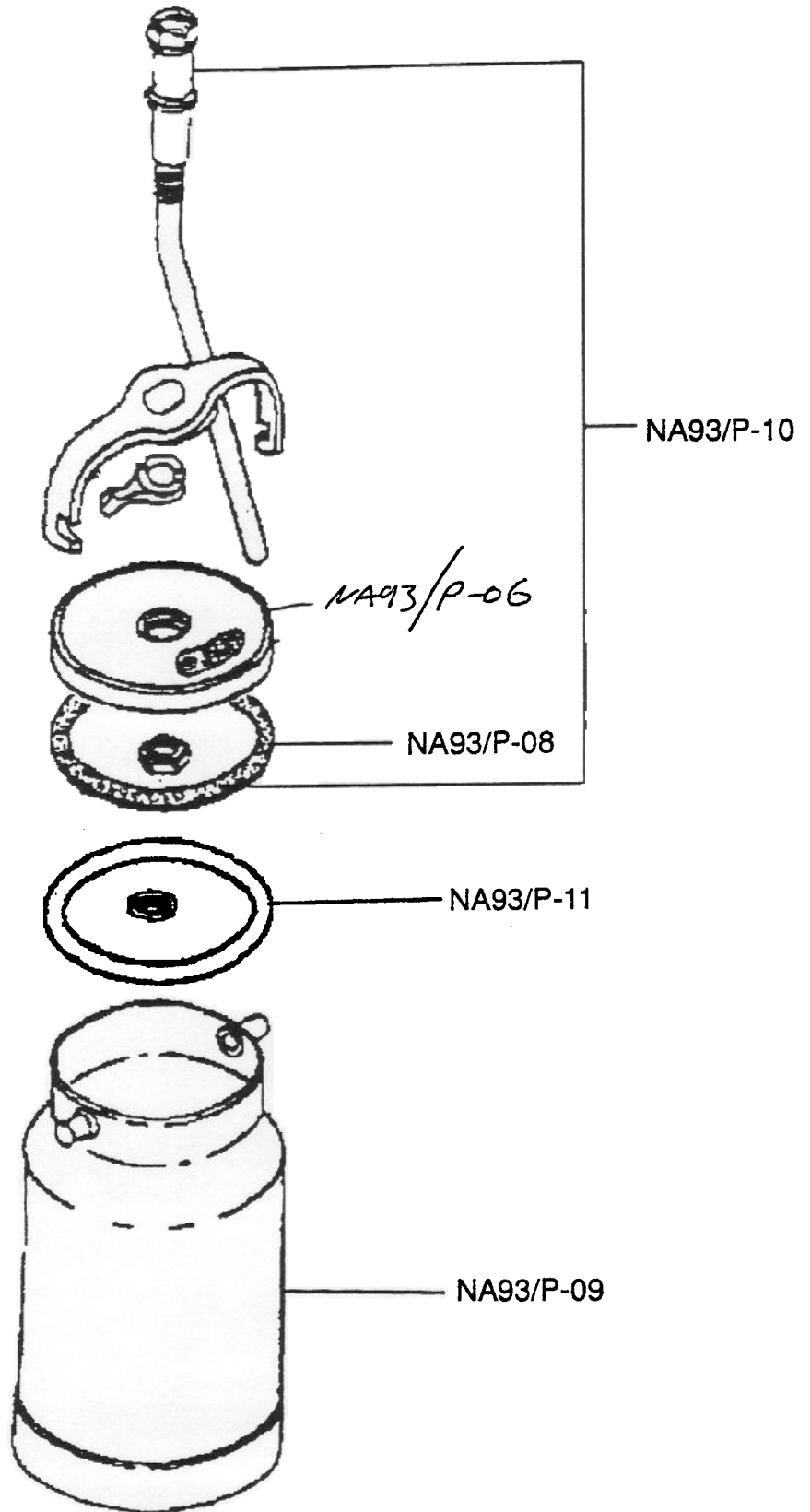
NA93/01	USE NA93/SET/15 OR 16 OR 18	NA93/11	SCREW
NA93/02	USE NA93/SET/15 OR 16 OR 18	NA93/12	NIPPLE
NA93/03	GASKET	NA93/13	GASKET
NA93/04	BAFFLE	NA93/14	BUSHING
NA93/05	LOCK NUT	NA93/15	USE NA93/SET/15 OR 16 OR 18
NA93/06	NIPPLE	NA93/16	SPRING
NA93/07	PACKING	NA93/17	ADJUSTING SCREW
NA93/08	PACKING GLAND	NA93/18	FAN ADJUSTMENT ASSY
NA93/09	TRIGGER STUD	NA93/21	AIR VALVE ASSY
NA93/10	TRIGGER	1 LIT CUP	USE SC138

Original Date:16/2/93
Issue Date:16/2/93
Version Number:0
Date Modified:



BOM

POT AND LID FOR NA93 & S771



Original Date:	16/2/93
Issue Date:	1/4/93
Version Number:	
Date Modified:	1/4/93