

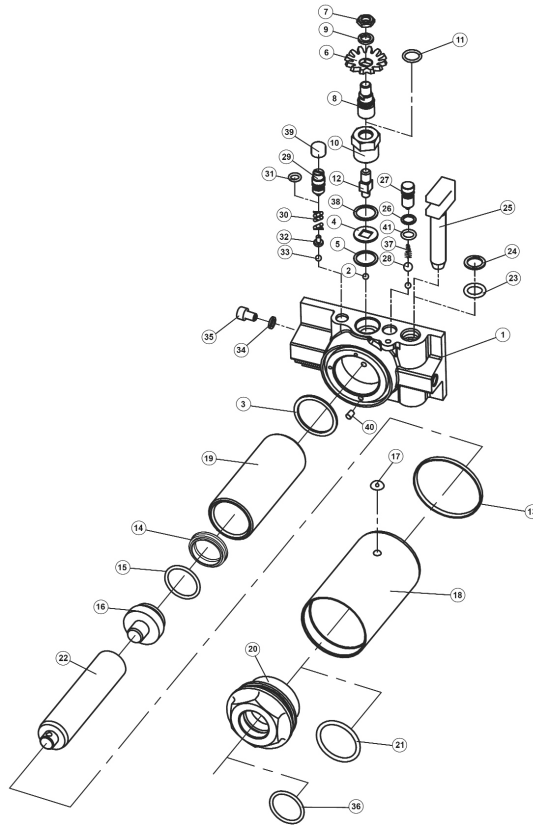
| Item | Part No.  | Description                                 |
|------|-----------|---|
| 1    | NA3290.01 | LIFT ARM ASSEMBLY 'BLUE'                    |
| 2    | 3290CX.02 | HANDLE                                      |
| 3    | NA3290.03 | HANDLE SOCKET                               |
| 4    | 3290CX.04 | HANDLE BOLT                                 |
| 5    | 3290CX.05 | PLUNGER PIN                                 |
| 6    | NA3290.06 | SIDE FRAME 'BLUE'                           |
| 7    | 3290CX.07 | LOCK WASHER                                 |
| 8    | 3290CX.08 | LOCK NUT                                    |
| 9    | 3290CX.09 | SOCKET HEAD CAP SCREW                       |
| 10   | 3290CX.10 | WHEEL,CASTOR (C/W BRACKET)<br>(60x10x29x83) |
| 11   | 3290CX.11 | STUD  |
| 12   | 3290CX.12 | BOLT, LEFT                                  |
| 13   | 3290CX.13 | LOCK WASHER                                 |
| 14   | 3290CX.14 | SPLIT LOCK WASHER M34                       |
| 15   | 3290CX.15 | RETURN SPRING                               |
| 16   | 3290CX.16 | RETAINING RING                              |

| Item | Part No.  | Description                               |
|------|-----------|---|
| 17   | 3290CX.17 | ARM SHAFT                                 |
| 18   | 3290CX.18 | BOLT LINK                                 |
| 19   | 3290CX.19 | SEALING RING (25mm OD x 16.5mm ID x 0.6m) |
| 20   | 3290CX.20 | LOCK WASHER                               |
| 21   | 3290CX.21 | HALF NUT M16 BZP                          |
| 22   | 3290CX.22 | SADDLE SHAFT                              |
| 23   | 3290CX.23 | SADDLE                                    |
| 24   | 3290CX.24 | POWER UNIT ASSEMBLY                       |
| 25   | 3290CX.25 | COTTER PIN                                |
| 26   | 3290CX.26 | RETAINING RING                            |
| 27   | 3290CX.27 | WHEEL, FIXED (BLACK) (66x20x43x75)        |
| 28   | 3290CX.28 | CIRCLIP (ID 18MM)                         |
| 29   | 3290CX.29 | RETURN SPRING                             |
| 30   | 3290CX.30 | BLOCK                                     |
| 31   | 3290CX.31 | BOLT                                      |
| --   | 3290CX.RK | REPAIR KIT (NOT SHOWN)                    |

**NOTE:** It is our policy to continually improve products and as such we reserve the right to alter data, specifications and component parts without prior notice.

**IMPORTANT:** No liability is accepted for incorrect use of product.

**WARRANTY:** Guarantee is 12 months from purchase date, proof of which will be required for any claim.



| Item | Part No.   | Description               |
|------|------------|---------------------------|
| 1    | 3290CX.P01 | BASE PLATE                |
| 2    | 3290CX.P02 | STEEL BALL                |
| 3    | 3290CX.P03 | PLASTIC RING              |
| 4    | 3290CX.P04 | WASHER WITH SQUARE CENTRE |
| 5    | 3290CX.P05 | ALUMINIUM WASHER          |
| 6    | 3290CX.P06 | GEAR                      |
| 7    | 3290CX.P07 | LOCK NUT                  |
| 8    | 3290CX.P08 | VALVE CONNECT             |
| 9    | 3290CX.P09 | WASHER                    |
| 10   | 3290CX.P10 | VALVE NUT                 |
| 11   | 3290CX.P11 | O-RING                    |
| 12   | 3290CX.P12 | RELEASE CORE              |
| 13   | 3290CX.P13 | SEAL RING                 |
| 14   | 3290CX.P14 | SEAL RING                 |
| 15   | 3290CX.P15 | WHITE NYLON BOWL WASHER   |
| 16   | 3290CX.P22 | PISTON ROD ASS'Y          |
| 17   | 3290CX.P17 | OIL FILLER PLUG           |
| 18   | 3290CX.P18 | RESERVOIR                 |
| 19   | 3290CX.P19 | CYLINDER                  |
| 20   | 3290CX.P20 | TOP CAP                   |
| 21   | 3290CX.P21 | O-RING                    |

| Item | Part No.   | Description                    |
|------|------------|--------------------------------|
| 22   | 3290CX.P22 | PISTON ROD ASS'Y               |
| 23   | 3290CX.P23 | PLASTIC RING                   |
| 24   | 3290CX.P24 | RETAINING RING                 |
| 25   | 3290CX.P25 | PLUNGER                        |
| 26   | 3290CX.P26 | RETURNING RING                 |
| 27   | 3290CX.P27 | RELEASE VALVE NUT              |
| 28   | 3290CX.P28 | STEEL BALL                     |
| 29   | 3290CX.P29 | SAFETY VALVE NUT               |
| 30   | 3290CX.P30 | SAFETY VALVE SPRING            |
| 31   | 3290CX.P31 | O-RING                         |
| 32   | 3290CX.P32 | SPRING BASE                    |
| 33   | 3290CX.P33 | STEEL BALL                     |
| 34   | 3290CX.P34 | PLASTIC RING                   |
| 35   | 3290CX.P35 | NUT                            |
| 36   | 3290CX.P36 | O-RING                         |
| 37   | 3290CX.P37 | TAPER SPRING                   |
| 38   | SWM8.S     | SPRING WASHER M8 ZINC (SINGLE) |
| 39   | 3290CX.P39 | SAFETY VALVE COVER             |
| 40   | 3290CX.P40 | OIL FILTER SCREEN              |
| 41   | 3290CX.P41 | O-RING                         |

**NOTE:** It is our policy to continually improve products and as such we reserve the right to alter data, specifications and component parts without prior notice.

**IMPORTANT:** No liability is accepted for incorrect use of product.

**WARRANTY:** Guarantee is 12 months from purchase date, proof of which will be required for any claim.