

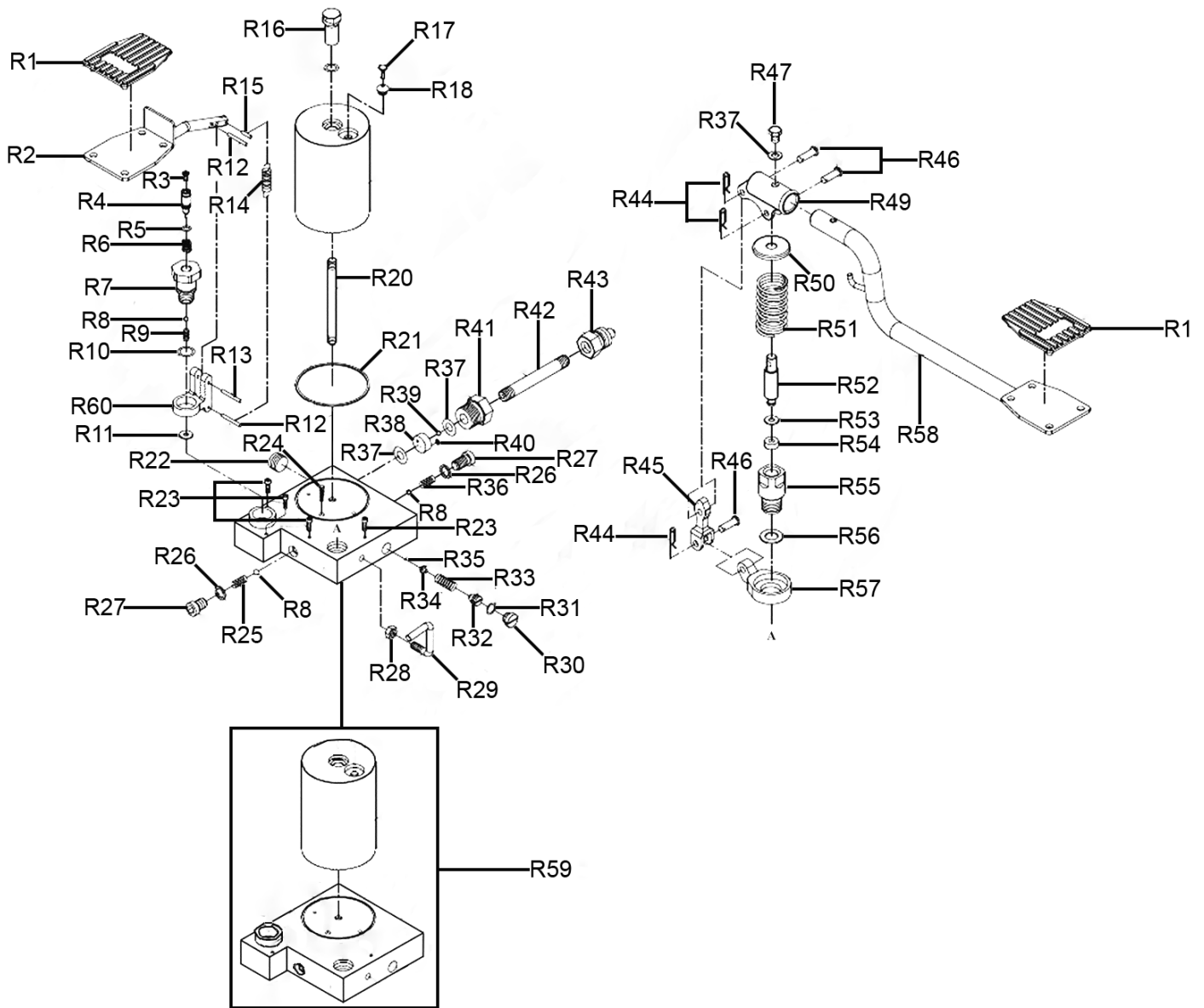
| Item | Part No. | Description |
|------|--------------|--------------------------------------|
| K1 | MT700.V2-K01 | Pump |
| K2 | MT700.V2-K02 | Block |
| K3 | MSC615.S | Csk Phillips Machine Screw M6 x 15mm |
| K4 | FWM10.S | Flat Washer M10 |
| K5 | SWM10.S | Spring Washer M10 |
| K6 | SS1030.S | Hex Head Set Screw M10 x 30mm |
| K7 | MT700.V2-K07 | Circlip |
| K8 | MT700.V2-K08 | Pin |
| K9 | SN8.S | Steel Nut M8 |
| K10 | MT700.V2-K10 | U-Bolt |
| K11 | MT700.V3-K11 | Overrun Guard |
| K12 | MT700.V3-K12 | Table |
| K13 | MT700.V3-K13 | Loading Ramp |
| K14 | MT700.V2-K14 | Arm |
| K15 | MT700.V2-K15 | Ram |

| Item | Part No. | Description |
|------|--------------|----------------------------|
| K16 | MT700.V2-K16 | Pin |
| K17 | MC4500.P5 | Circlip |
| K18 | MT700.V2-K18 | Half Block |
| K19 | MT700.V2-K19 | Socket Head Bolt M8 x 34mm |
| K20 | RE231.V3-04 | Circlip |
| K21 | MT700.V2-K21 | Plate, Locking Frame |
| K22 | MT700.V2-K22 | Locking Frame |
| K23 | MT700.V2-K23 | Split Pin |
| K24 | MT700.V2-K24 | R-Clip |
| K25 | MT700.V2-K25 | Main Arm |
| K26 | MT700.V2-K26 | Base |
| K27 | MT700.V2-K27 | Screw |
| K28 | MT700.V2-K28 | Table Support |
| K29 | MT700.V2-K29 | Screw |

NOTE: It is our policy to continually improve products and as such we reserve the right to alter data, specifications and component parts without prior notice. There may be alternative versions of this product, please contact us should you require this information.

IMPORTANT: No liability is accepted for incorrect use of product. Spare parts must be fitted by a competent person

WARRANTY: Guarantee is 12 months from purchase date, proof of which will be required for any claim.



NOTE: It is our policy to continually improve products and as such we reserve the right to alter data, specifications and component parts without prior notice. There may be alternative versions of this product, please contact us should you require this information.

IMPORTANT: No liability is accepted for incorrect use of product. Spare parts must be fitted by a competent person

WARRANTY: Guarantee is 12 months from purchase date, proof of which will be required for any claim.



Parts Information:
Mini Tractor/Quad/Motorcycle Lift 700kg
Capacity Hydraulic
Model No: MT700.V3

| Item | Part No. | Description |
|------|--------------|--------------------------------|
| R1 | MT700.V2-R01 | Pedal Pad, Foot |
| R2 | MT700.V2-R02 | Foot Pedal, Release |
| R3 | MT700.V2-R03 | Flange Bolt 5/16" UNC x 1-1/4" |
| R4 | MT700.V2-R04 | Release Valve Core |
| R5 | RE231.V3-P36 | O-Ring |
| R6 | MT700.V2-R06 | Spring |
| R7 | MT700.V2-R07 | Release Valve |
| R8 | SB-5.6 | Steel Ball |
| R9 | MT700.V2-R09 | Spring |
| R10 | MT700.V2-R10 | O-Ring |
| R11 | MT700.V2-R11 | Copper Washer |
| R12 | TS10SEW.28 | Spring Pin |
| R13 | 500ETJ.V2-11 | Spring Pin |
| R14 | MT700.V2-R14 | Spring |
| R15 | MT700.V2-R15 | Spring Pin |
| R16 | MT700.V2-R16 | Screw |
| R17 | MT700.V2-R17 | Valve Rod |
| R18 | MT700.V2-R18 | Oil Plug |
| R20 | MT700.V2-R20 | Shaft |
| R21 | MT700.V2-R21 | Washer, Nylon |
| R22 | MT700.V2-R22 | Grub Screw |
| R23 | MT700.V2-R23 | Screw |
| R24 | MT700.V2-R24 | Mesh, Copper |
| R25 | MT700.V2-R25 | Spring |
| R26 | MT700.V2-R26 | Washer |
| R27 | MT700.V2-R27 | Screw |
| R28 | SN8.S | Steel Nut M8 |
| R29 | MT700.V2-R29 | Screw |
| R30 | MT700.V2-R30 | Screw |

| Item | Part No. | Description |
|------|--------------|------------------------------|
| R31 | MT700.V2-R31 | O-Ring |
| R32 | MT700.V2-R32 | Screw |
| R33 | MT700.V2-R33 | Spring |
| R34 | MT700.V2-R34 | Ball Base |
| R35 | SB-3.2 | Steel Ball |
| R36 | MT700.V2-R36 | Spring |
| R37 | FWM8.S | Flat Washer M8 |
| R38 | MT700.V2-R38 | Valve Plate |
| R39 | SB-5.6 | Steel Ball |
| R40 | MT700.V2-R40 | Mesh, Copper |
| R41 | MT700.V2-R41 | Connector |
| R42 | MT700.V2-R42 | Oil Hose |
| R43 | MT700.V2-R43 | Connector |
| R44 | MT700.V2-R44 | R-Clip |
| R45 | MT700.V2-R45 | Rod |
| R46 | MT700.V2-R46 | Pin |
| R47 | SS812.S | Hex Head Set Screw M8 x 12mm |
| R49 | MT700.V2-R49 | Handle Base |
| R50 | MT700.V2-R50 | Spring Cover |
| R51 | MT700.V2-R51 | Spring |
| R52 | MT700.V2-R52 | Pump Core |
| R53 | MT700.V2-R53 | Nylon Washer, White |
| R54 | MT700.V2-R54 | U-Seal, Blue |
| R55 | MT700.V2-R55 | Pump Core |
| R56 | MT700.V2-R56 | Copper Washer |
| R57 | MT700.V2-R57 | Rod Base |
| R58 | MT700.V2-R58 | Foot Pedal, Lift |
| R59 | MT700.V2-R59 | Pump Base (c/w Cylinder) |
| R60 | MT700.V2-R60 | Base, Release Valve |

NOTE: It is our policy to continually improve products and as such we reserve the right to alter data, specifications and component parts without prior notice. There may be alternative versions of this product, please contact us should you require this information.

IMPORTANT: No liability is accepted for incorrect use of product. Spare parts must be fitted by a competent person

WARRANTY: Guarantee is 12 months from purchase date, proof of which will be required for any claim.

Sealey Group, Kempson Way, Suffolk Business Park, Bury St Edmunds, Suffolk. IP32 7AR



01284 757500



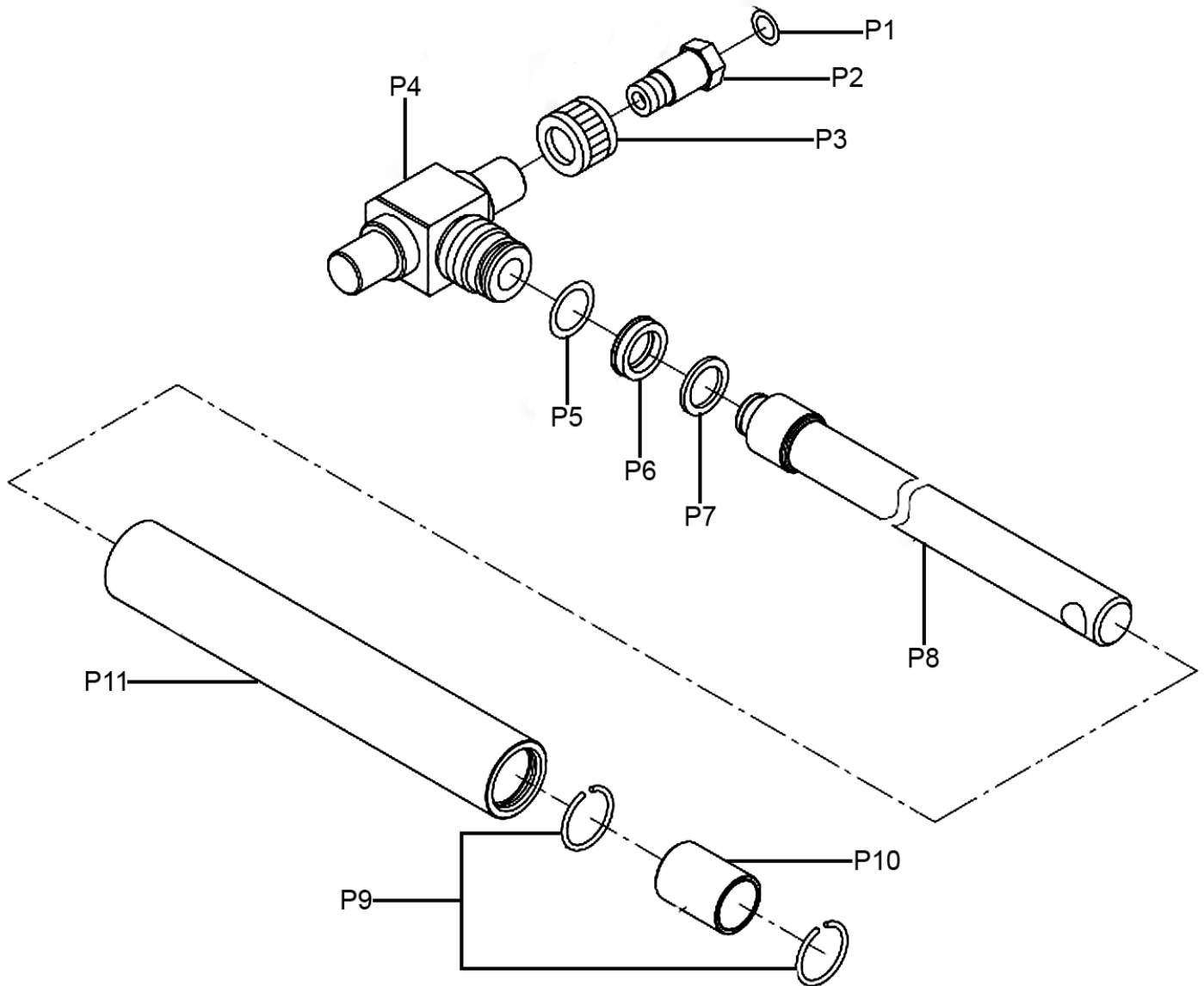
01284 703534



sales@sealey.co.uk



www.sealey.co.uk



| Item | Part No. | Description |
|------|--------------|---------------|
| P1 | MT700.V2-P01 | O-Ring |
| P2 | MT700.V2-P02 | Ram Connector |
| P3 | MT700.V2-P03 | Round Nut |
| P4 | MT700.V2-P04 | Ram Base |
| P5 | MT700.V2-P05 | O-Ring |
| P6 | MT700.V2-P06 | U-Seal, Blue |

| Item | Part No. | Description |
|------|--------------|--------------------|
| P7 | MT700.V2-P07 | Seal |
| P8 | MT700.V2-P08 | Piston Rod |
| P9 | MT700.V2-P09 | Retaining Ring |
| P10 | MT700.V2-P10 | Bearing Sleeve |
| P11 | MT700.V2-P11 | Ram Cylinder |
| -- | RE231.V3-P36 | O-Ring (Not Shown) |

NOTE: It is our policy to continually improve products and as such we reserve the right to alter data, specifications and component parts without prior notice. There may be alternative versions of this product, please contact us should you require this information.

IMPORTANT: No liability is accepted for incorrect use of product. Spare parts must be fitted by a competent person

WARRANTY: Guarantee is 12 months from purchase date, proof of which will be required for any claim.