

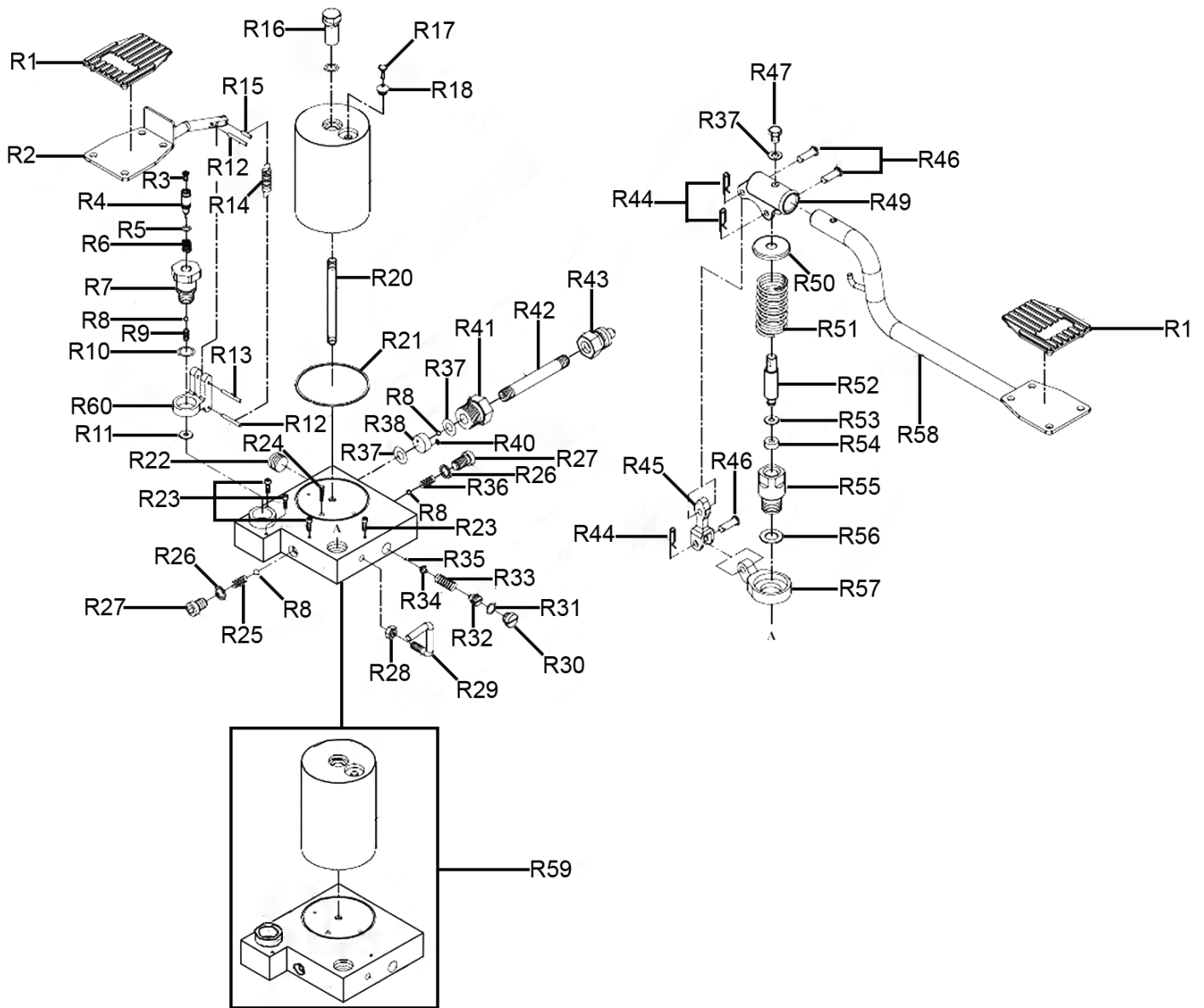
Item	Part No.	Description
K1	MT700.V2-K01	Pump
K2	MT700.V2-K02	Block
K3	MSC615.S	Csk Phillips Machine Screw M6 x 15mm
K4	FWM10.S	Flat Washer M10
K5	SWM10.S	Spring Washer M10
K6	SS1030.S	Hex Head Set Screw M10 x 30mm
K7	MT700.V2-K07	Circlip
K8	MT700.V2-K08	Pin
K9	SN8.S	Steel Nut M8
K10	MT700.V2-K10	U-Bolt
K11	MT700.V2-K11	Overrun Guard
K12	MT700.V2-K12	Table
K13	MT700.V2-K13	Loading Ramp
K14	MT700.V2-K14	Arm 2
K15	MT700.V2-K15	Ram

Item	Part No.	Description
K16	MT700.V2-K16	Pin
K17	MC4500.P5	Circlip
K18	MT700.V2-K18	Half Block
K19	MT700.V2-K19	Socket Head Bolt M8 x 34mm
K20	RE231.V3-04	Circlip
K21	MT700.V2-K21	Plate, Locking Frame
K22	MT700.V2-K22	Locking Frame
K23	MT700.V2-K23	Split Pin
K24	MT700.V2-K24	R-Clip
K25	MT700.V2-K25	Arm 1
K26	MT700.V2-K26	Base
K27	MT700.V2-K27	Screw
K28	MT700.V2-K28	Table support
K29	MT700.V2-K29	Screw

**NOTE:** It is our policy to continually improve products and as such we reserve the right to alter data, specifications and component parts without prior notice. There may be alternative versions of this product, please contact us should you require this information.

**IMPORTANT:** No liability is accepted for incorrect use of product. Spare parts must be fitted by a competent person

**WARRANTY:** Guarantee is 12 months from purchase date, proof of which will be required for any claim.



**NOTE:** It is our policy to continually improve products and as such we reserve the right to alter data, specifications and component parts without prior notice. There may be alternative versions of this product, please contact us should you require this information.

**IMPORTANT:** No liability is accepted for incorrect use of product. Spare parts must be fitted by a competent person

**WARRANTY:** Guarantee is 12 months from purchase date, proof of which will be required for any claim.



Parts Information:  
Mini Tractor/Quad/Motorcycle Lift 700kg  
Capacity Hydraulic  
Model No: MT700.V2

Item	Part No.	Description
R1	MT700.V2-R01	Pad, Foot Pedal
R2	MT700.V2-R02	Foot Pedal, Release
R3	MT700.V2-R03	Flange Bolt 5/16" UNC x 1-1/4"
R4	MT700.V2-R04	Release Valve Core
R5	RE231.V3-P36	O-Ring
R6	MT700.V2-R06	Spring
R7	MT700.V2-R07	Release Valve
R8	SB-5.6	Steel Ball
R9	MT700.V2-R09	Spring
R10	MT700.V2-R10	O-Ring
R11	MT700.V2-R11	Copper Washer
R12	TS10SEW.28	Spring Pin
R13	500ETJ.V2-11	Spring Pin
R14	MT700.V2-R14	Spring
R15	MT700.V2-R15	Spring Pin
R16	MT700.V2-R16	Screw
R17	MT700.V2-R17	Valve Rod
R18	MT700.V2-R18	Oil Plug
R20	MT700.V2-R20	Shaft
R21	MT700.V2-R21	Washer, Nylon
R22	MT700.V2-R22	Grub Screw
R23	MT700.V2-R23	Screw
R24	MT700.V2-R24	Mesh, Copper
R25	MT700.V2-R25	Spring
R26	MT700.V2-R26	Washer
R27	MT700.V2-R27	Screw
R28	SN8.S	Steel Nut M8
R29	MT700.V2-R29	Screw
R30	MT700.V2-R30	Screw

Item	Part No.	Description
R31	MT700.V2-R31	O-Ring
R32	MT700.V2-R32	Screw
R33	MT700.V2-R33	Spring
R34	MT700.V2-R34	Ball Base
R35	SB-3.2	Steel Ball
R36	MT700.V2-R36	Spring
R37	FWM8.S	Flat Washer M8
R38	MT700.V2-R38	Valve Plate
R40	MT700.V2-R40	Mesh, Copper
R41	MT700.V2-R41	Connector
R42	MT700.V2-R42	Oil Hose
R43	MT700.V2-R43	Connector
R44	MT700.V2-R44	R-Clip
R45	MT700.V2-R45	Rod
R46	MT700.V2-R46	Pin
R47	SS812.S	Hex Head Set Screw M8 x 12mm
R49	MT700.V2-R49	Handle Base
R50	MT700.V2-R50	Spring Cover
R51	MT700.V2-R51	Spring
R52	MT700.V2-R52	Pump Core
R53	MT700.V2-R53	Nylon Washer, White
R54	MT700.V2-R54	U-Seal, Blue
R55	MT700.V2-R55	Pump Core
R56	MT700.V2-R56	Copper Washer
R57	MT700.V2-R57	Rod Base
R58	MT700.V2-R58	Foot Pedal, Lift
R59	MT700.V2-R59	Pump Base (c/w Cylinder)
R60	MT700.V2-R60	Release Valve Base

**NOTE:** It is our policy to continually improve products and as such we reserve the right to alter data, specifications and component parts without prior notice. There may be alternative versions of this product, please contact us should you require this information.

**IMPORTANT:** No liability is accepted for incorrect use of product. Spare parts must be fitted by a competent person

**WARRANTY:** Guarantee is 12 months from purchase date, proof of which will be required for any claim.

Sealey Group, Kempson Way, Suffolk Business Park, Bury St Edmunds, Suffolk. IP32 7AR



01284 757500



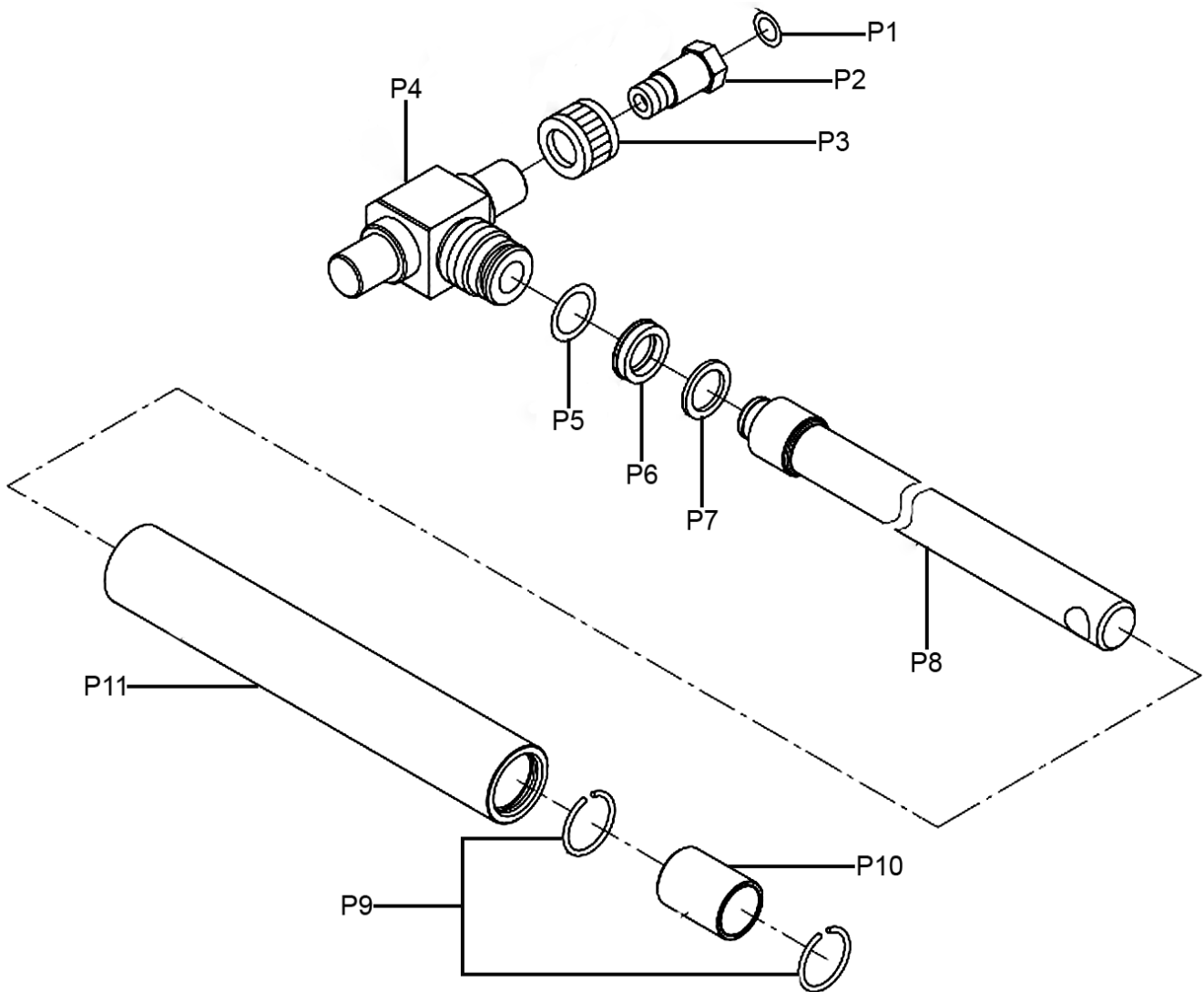
01284 703534



sales@sealey.co.uk



www.sealey.co.uk



Item	Part No.	Description
P1	MT700.V2-P01	O-Ring
P2	MT700.V2-P02	Ram Connector
P3	MT700.V2-P03	Round Nut
P4	MT700.V2-P04	Base, Ram
P5	MT700.V2-P05	O-Ring
P6	MT700.V2-P06	U-Seal, Blue

Item	Part No.	Description
P7	MT700.V2-P07	Seal
P8	MT700.V2-P08	Piston Rod
P9	MT700.V2-P09	Retaining Ring
P10	MT700.V2-P10	Bearing Sleeve
P11	MT700.V2-P11	Ram Cylinder
--	RE231.V3-P36	O-Ring, (Not Shown)

**NOTE:** It is our policy to continually improve products and as such we reserve the right to alter data, specifications and component parts without prior notice. There may be alternative versions of this product, please contact us should you require this information.

**IMPORTANT:** No liability is accepted for incorrect use of product. Spare parts must be fitted by a competent person

**WARRANTY:** Guarantee is 12 months from purchase date, proof of which will be required for any claim.