

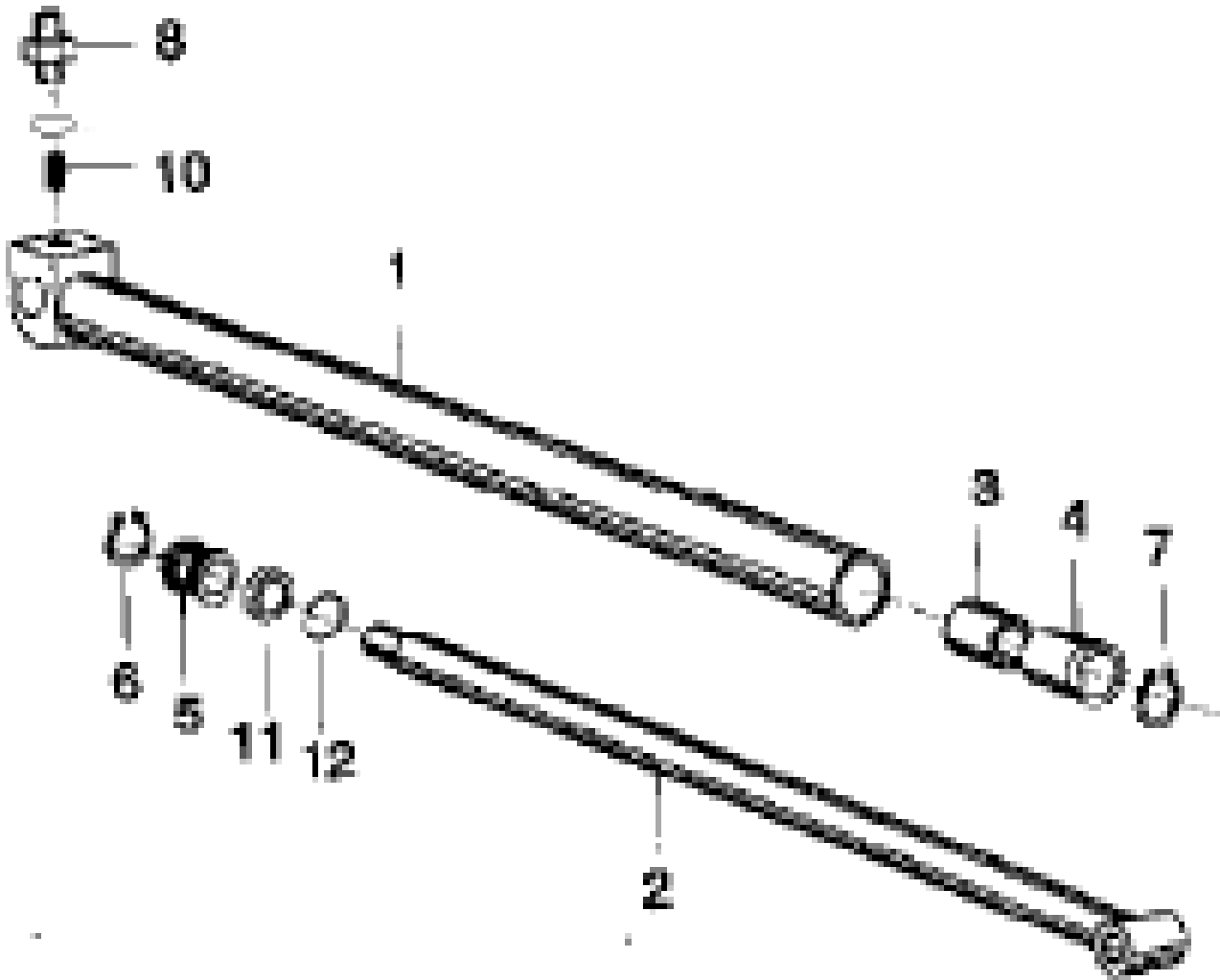
Item	Part No.	Description
1	MT700.01	Base Frame
2	MT700.02	Work Table Assembly
4	MT700.04	Rear Leg Assembly
5	MT700.05	Front Leg Assembly
6	MT700.06	Wheel Stopper Bar
7	MT700.07	Safety Frame
8	MT700.08	Cam, Safety Frame
9	MT700.09	Ramp
10	MT700.10	Pin
11	MT700.11	Pin
13	MT700.13	Bar
14	MT700.14	Split Pin

Item	Part No.	Description
15	MT700.15	Circlip
16	MT700.16	Circlip
17	MT700.17	Circlip
18	MT700.18	Screw M5 x 40mm
19	SN5.S	Steel Nut M5
22	MT700.22	Hydraulic Ram
24	MT700.24	Support, Rear Leg
25	MT700.25	Valve
26	MT700.26	Release Valve
--	MT700.P	Pump (Not Shown)
--	MT700.H	Hose (Not Shown)

NOTE: It is our policy to continually improve products and as such we reserve the right to alter data, specifications and component parts without prior notice. There may be alternative versions of this product, please contact us should you require this information.

IMPORTANT: No liability is accepted for incorrect use of product. Spare parts must be fitted by a competent person

WARRANTY: Guarantee is 12 months from purchase date, proof of which will be required for any claim.



Item	Part No.	Description
1	MT700.22-01	Cylinder
2	MT700.22-02	Shaft
3	MT700.22-03	Ring
4	MT700.22-04	Cylinder Guide
5	MT700.22-05	Piston
6	MT700.22-06	Circlip

Item	Part No.	Description
7	MT700.22-07	Circlip
8	MT700.22-08	Valve
10	MT700.22-10	Valve
11	MT700.22-11	Gasket
12	MT700.V2-R10	O-Ring

NOTE: It is our policy to continually improve products and as such we reserve the right to alter data, specifications and component parts without prior notice. There may be alternative versions of this product, please contact us should you require this information.

IMPORTANT: No liability is accepted for incorrect use of product. Spare parts must be fitted by a competent person

WARRANTY: Guarantee is 12 months from purchase date, proof of which will be required for any claim.