



Parts Information:
Mini Tractor Lift Yankee 400kg Hydraulic
Model No: MT400

Item	Part No.	Description
1	MC400/001	Pump Assembly
2	MC400/002	Link
3	MC400/003	Pin
4	MC400/004	Pin
5	MC400/005	Spindle
6	MC400/006	Pin
6-1	MC400/006-1	Clip
7	MC400/007	Link
8	MC400/008	Pin
9	MC400/009	Snap-Ring
10	MC400/010	Spindle
11	MC400/011	Pin
12	MC400/012	Snap Ring
13	MC400/013A	Frame Assembly, Right
23	MC400/023A	Adjusting Screws Assembly
26	MC400/026	Castor Fork Assembly
32	MT400/032	Nut M12 x 1.5mm Fine Pitch
34	MC400/034	Spindle
35	MC400/035	Spacing Collar
36	MC400/036	Washer
37	MC400/037	Bush, Front Wheel
38	MC400/038	Wheel, Front
39	MC400/039	Washer
40	MC400/040	Half Nut M20
41	MC400/041	Stop Rod, Lifting Arm
42	MC400/042	Washer

Item	Part No.	Description
43	MC400/043	Nut
44	MC400/044A	Frame Assembly, Left
49	MC400/049	Washer
50	MC400/050	Bolt
51	MC400/051	Return Spring
52	MC400/052	Lifting Arm, Rear
53	MC400/053	Spindle
54	MC400/054	Pin
55	MC400/055	Bush
56	MT400/056	Bolt M12 x 70mm
57	MC400/057	Washer
58	SN12.S	Steel Nut M12
59	MC400/059	Lifting Arm, Front
60	MT400/060	Platform
61	MC400/061	Bush
63	MT400/063	Bolt M12 x 40mm
67	MC400/067	Guarded Plate
68	SS825.SB	Hex Head Set Screw M8 x 25mm, Black
69	MC400/069	Leading Plate
70	MC400/070	Cotter Pin
71	MC400/071	Foot Pedal, Lift
72	MC400/072	Foot Pedal, Release
73	MC400/073	Set Spindle
74	MT400/074	Washer, Spring
75	SN8.S	Steel Nut M8
--	MC400/001A	Pump Assembly (Not Shown)

NOTE: It is our policy to continually improve products and as such we reserve the right to alter data, specifications and component parts without prior notice. There may be alternative versions of this product, please contact us should you require this information.

IMPORTANT: No liability is accepted for incorrect use of product. Spare parts must be fitted by a competent person

WARRANTY: Guarantee is 12 months from purchase date, proof of which will be required for any claim.

Sealey Group, Kempson Way, Suffolk Business Park, Bury St Edmunds, Suffolk. IP32 7AR



01284 757500



01284 703534

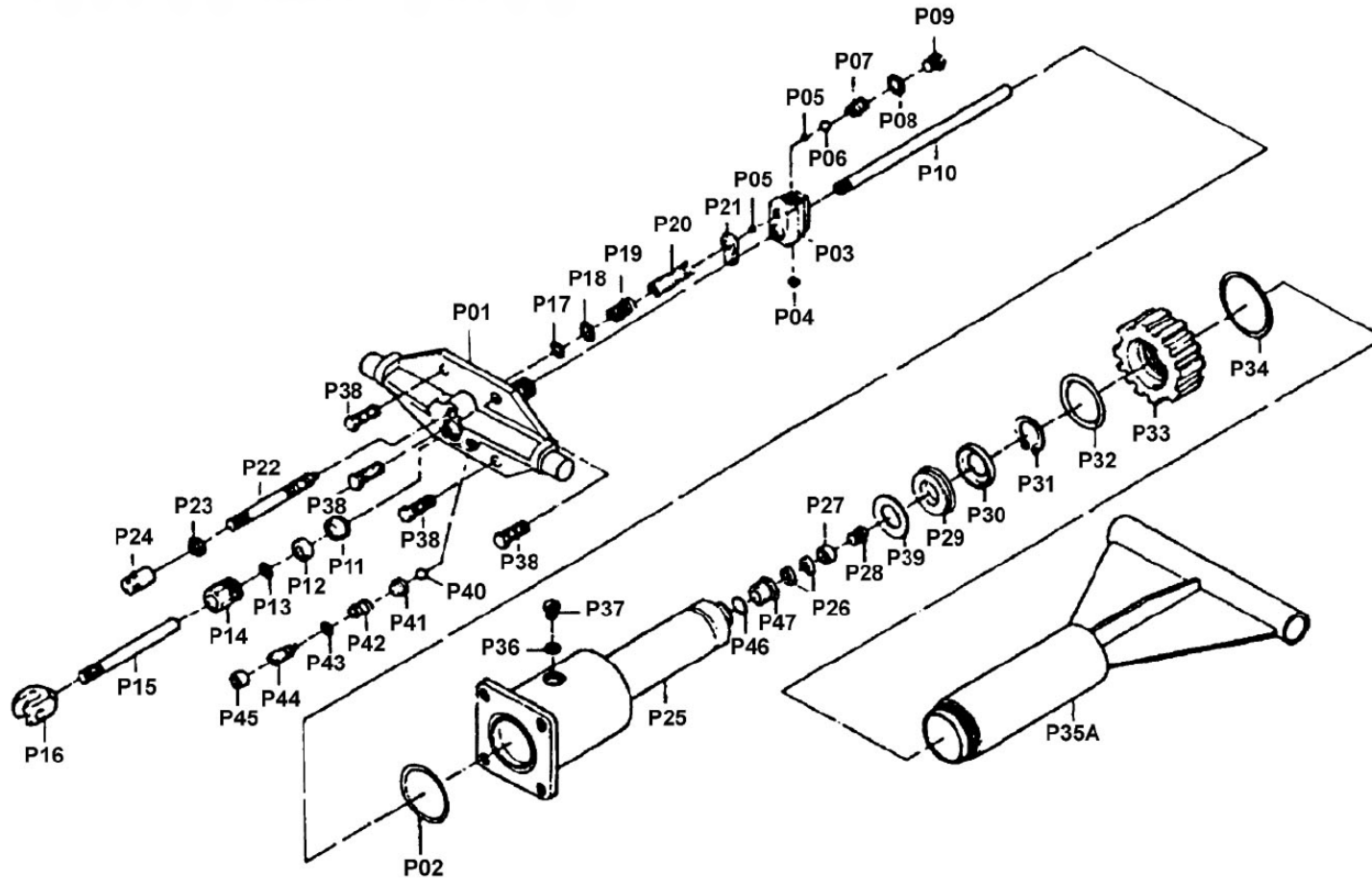


sales@sealey.co.uk



www.sealey.co.uk

Parts Information:
Mini Tractor Lift Yankee 400kg Hydraulic
Model No: MT400



NOTE: It is our policy to continually improve products and as such we reserve the right to alter data, specifications and component parts without prior notice.

There may be alternative versions of this product, please contact us should you require this information.

IMPORTANT: No liability is accepted for incorrect use of product. Spare parts must be fitted by a competent person

WARRANTY: Guarantee is 12 months from purchase date, proof of which will be required for any claim.

Sealey Group, Kempson Way, Suffolk Business Park, Bury St Edmunds, Suffolk. IP32 7AR

01284 757500

01284 703534

sales@sealey.co.uk

www.sealey.co.uk



Parts Information:
Mini Tractor Lift Yankee 400kg Hydraulic
Model No: MT400

Item	Part No.	Description
P1	MC400/001-P01	Base
P2	MC400/001-P02	O-Ring
P3	MC400/001-P03	Check Valve
P4	MC400/001-P04	Filter
P5	SB-6.4	Steel Ball 6.4mm
P6	SB-9.5	Steel Ball 9.5mm
P7	MC400/001-P07	Spring
P8	MC400/001-P08	Gasket
P9	MC400/001-P09	Plug
P10	MC400/001-P10	Pipe
P11	MC400/001-P11	Seal
P12	MC400/001-P12	Copper Washer
P13	MC400/001-P13	O-Ring
P14	MC400/001-P14	Regulating Plug
P15	MC400/001-P15	Pump Piston
P16	MC400/001-P16	Union Nut
P17	MC400/001-P17	O-Ring
P18	MC400/001-P18	Washer
P19	MC400/001-P19	Spring
P20	MC400/001-P20	Spring
P21	MC400/001-P21	Set Nut
P22	MC400/001-P22	Release Valve
P23	SN8.S	Steel Nut M8
P24	MC400/001-P24	Union Nut
P25	MC400/001-P25	Ram
P26	MC400/001-P26	Seal

Item	Part No.	Description
P27	MC400/001-P27	Washer
P28	MC400/001-P28	Plug
P29	MC400/001-P29	Cup Seal
P30	MC400/001-P30	Cap Washer
P31	MC400/001-P31	Circlip
P32	MC400/001-P32	O-Ring
P33	MC400/001-P33	Top Nut
P34	MC400/001-P34	Packing
P35	MC400/001P35A	Cylinder Assembly
P36	MC400/001-P36	Seal
P37	MC400/001-P37	Air Vent Valve
P38	MC400/001-P38	Bolt M10 x 30mm
P39	MC400/001-P39	Back-Up Ring
P40	SB-4.7	Steel Ball
P41	MC400/001-P41	Spring
P42	MC400/001-P42	Spring
P43	MC400/001-P43	O-Ring
P44	MC400/001-P44	Screw
P45	MC400/001-P45	Cap
P46	MT400/001-P46	O-Ring
P47	MT400/001-P47	Plug
--	MC400/001-EX	MC400/001- Recon Hydraulic Unit (Not Shown)
--	MC400/001-RK	Repair Kit (Not Shown)
--	MT400/001-P02	O-Ring (Not Shown)
--	MT400/001-P21	Nut, Set (Not Shown)
--	MT400/001-P42	Spring, Safety Valve (Not Shown)

NOTE: It is our policy to continually improve products and as such we reserve the right to alter data, specifications and component parts without prior notice. There may be alternative versions of this product, please contact us should you require this information.

IMPORTANT: No liability is accepted for incorrect use of product. Spare parts must be fitted by a competent person

WARRANTY: Guarantee is 12 months from purchase date, proof of which will be required for any claim.

Sealey Group, Kempson Way, Suffolk Business Park, Bury St Edmunds, Suffolk. IP32 7AR



01284 757500



01284 703534



sales@sealey.co.uk



www.sealey.co.uk