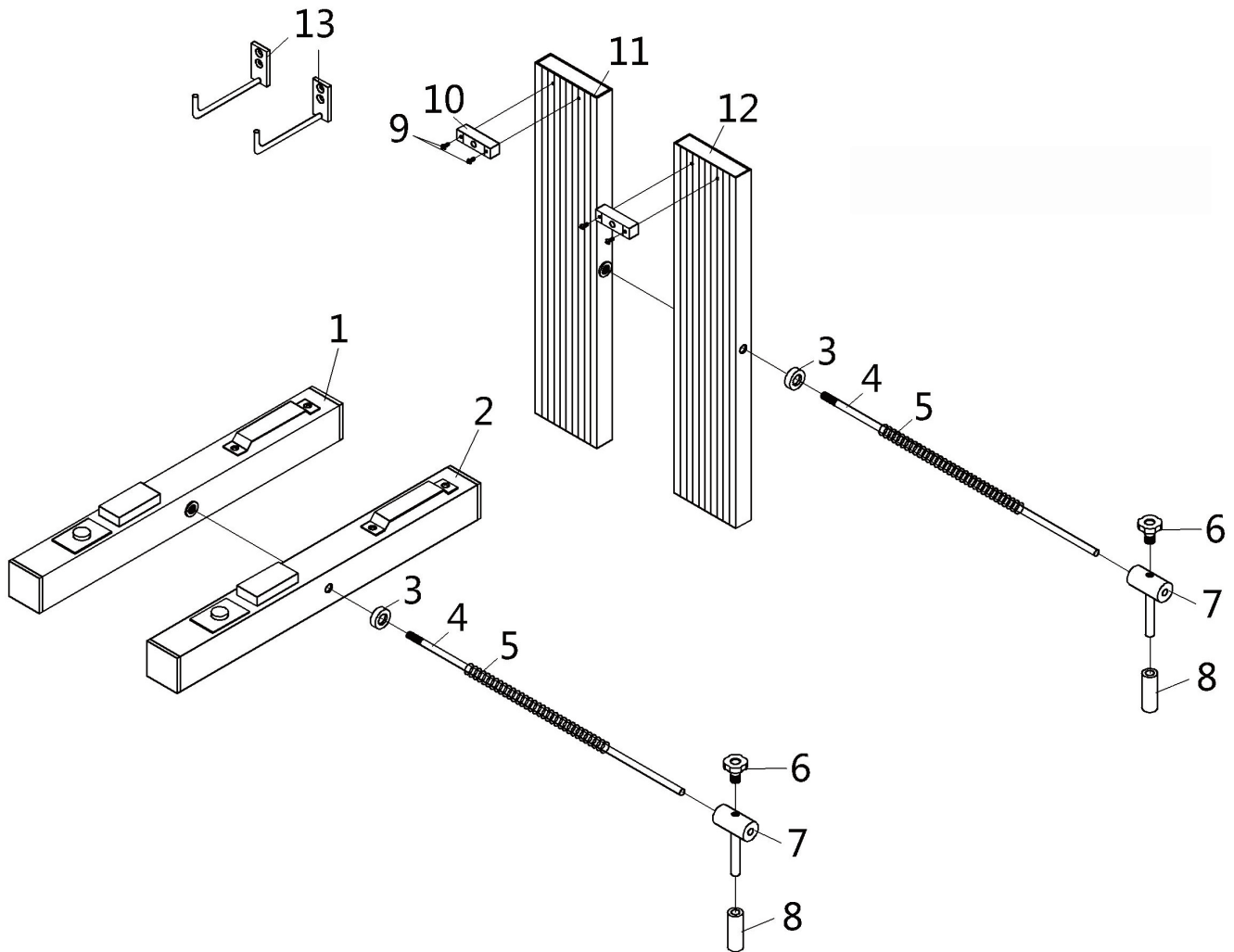




Parts Information:
Motorcycle Wheel Alignment Tool
Model No: MS070



Item	Part No.	Description
1	MS070.01	LASER TUBE (L)
2	MS070.02	LASER TUBE (R)
3	MS070.03	PRESS BLOCK
4	MS070.04	SLIDE BAR
5	MS070.05	SPRING
6	MS070.06	HAND WHEEL
7	MS070.07	SLIDE BLOCK
8	MS070.08	HANDLE COVER

Item	Part No.	Description
9	MSP38.S	MACHINE SCREW PAN HEAD PHILLIPS M3x8mm
10	MS070.10	PLATE LEVEL
11	MS070.11	LABELING TUBE (L)
12	MS070.12	LABELING TUBE (R)
13	MS070.13	HOOK
--	MS070A	RIM ADAPTOR FOR MOTORCYCLE WHEEL ALIGNME

NOTE: It is our policy to continually improve products and as such we reserve the right to alter data, specifications and component parts without prior notice.

IMPORTANT: No liability is accepted for incorrect use of product.

WARRANTY: Guarantee is 12 months from purchase date, proof of which will be required for any claim.

Sealey Group, Kempson Way, Suffolk Business Park, Bury St Edmunds, Suffolk. IP32 7AR



01284 757500



01284 703534



sales@sealey.co.uk



www.sealey.co.uk