



Parts Information:
Car Lift/Ramp 3tonne
Model No: MR1.V2

NOTE: It is our policy to continually improve products and as such we reserve the right to alter data, specifications and component parts without prior notice.

There may be alternative versions of this product, please contact us should you require this information.

IMPORTANT: No liability is accepted for incorrect use of product. Spare parts must be fitted by a competent person

WARRANTY: Guarantee is 12 months from purchase date, proof of which will be required for any claim.

Sealey Group, Kempson Way, Suffolk Business Park, Bury St Edmunds, Suffolk. IP32 7AR



01284 757500



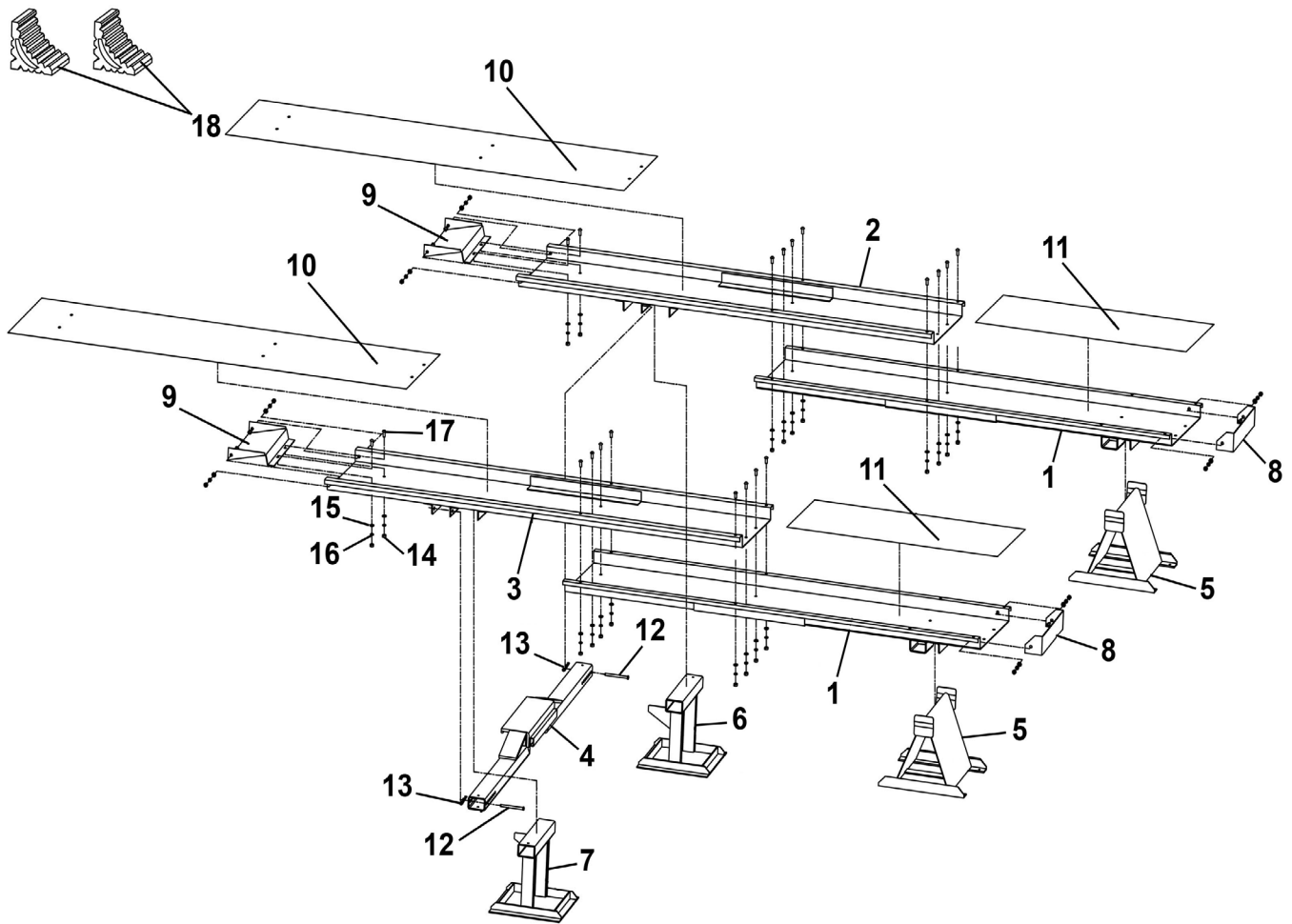
01284 703534



sales@sealey.co.uk



www.sealey.co.uk



Item	Part No.	Description
1	MR1-V2-01	Ramp 'B'
2	MR1-V2-02	Ramp 'A' (L/H)
3	MR1-V2-03	Ramp 'C' (R/H)
4	MR1-V2-04	Lifting Beam
5	MR1-V2-05	Front Stand
6	MR1-V2-06	Rear Stand (L/H)
7	MR1-V2-07	Rear Stand (R/H)
8	MR1-V2-08	Stop Plate
9	MR1-V2-09	Support Plate for Wheel Chock

Item	Part No.	Description
10	MR1-V2-10	Grip Tape (A)
11	MR1-V2-11	Grip Tape (B)
12	MR1-V2-12	Support Pin
13	MR1-V2-13	R-Pin
14	SN10.S	Steel Nut M10 Zinc
15	FWM10.S	Flat Washer M10 Zinc
16	SWM10.S	Spring Washer M10 Zinc
17	BHSS1025.S	Button Head Socket Screw M10 X 25 Zinc
18	MR1-V2-18	Wheel Chock

NOTE: It is our policy to continually improve products and as such we reserve the right to alter data, specifications and component parts without prior notice. There may be alternative versions of this product, please contact us should you require this information.

IMPORTANT: No liability is accepted for incorrect use of product. Spare parts must be fitted by a competent person

WARRANTY: Guarantee is 12 months from purchase date, proof of which will be required for any claim.