

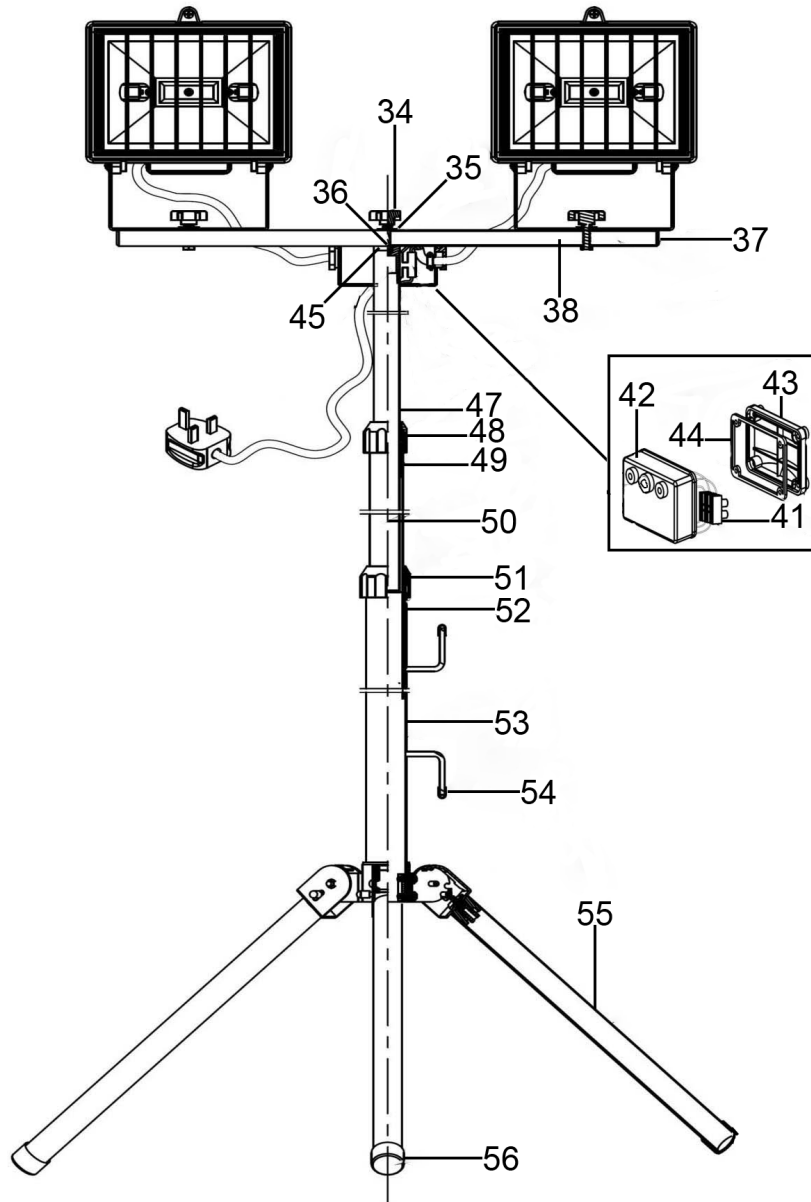
Item	Part No.	Description
1	ML500X.V3-01	Grille
2	ML500X.V3-02	Frame
3	ML500X.V3-03	Screw
4	ML500X.V3-04	O-Ring
5	ML500X.V3-05	Glass
6	ML500X.V3-06	Seal Gasket
7	ML500X.V3-07	Reflector
8	ML500X.V3-08	Screw
9	ML500X.V3-09	Washer
10	ML400B	Halogen Tube
11	ML500X.V3-11	Screw
12	ML500X.V3-12	Lamp Holder
13	ML500X.V3-13	Wire
14	ML500X.V3-14	Handle
15	ML500X.V3-15	Nut
16	ML500X.V3-16	Body
17	ML500X.V3-17	Cable Grip
18	ML500X.V3-18	Clamp, Terminal Wire
19	ML500X.V3-19	Ring
20	ML500X.V3-20	Connection Box

Item	Part No.	Description
21	ML500X.V3-21	Screw
22	ML500X.V3-22	Screw
23	ML500X.V3-23	Cover, Connection Box
24	ML500X.V3-24	Seal, Connection Box
25	ML500X.V3-25	Screw
26	ML500X.V3-26	Cable Clip
27	ML500X.V3-27	Terminal Block
28	MC3CX1.0	Mains Cable
29	ML500X.V3-29	Washer
30	ML500X.V3-30	Spring Washer
31	ML500X.V3-31	Screw
32	ML500X.V3-32	Bracket
33	ML500X.V3-33	Nut
--	ML500X.V3-S	Stand Assembly (Not Shown)
--	ML500X.V3-S01	Thread Screw (Not Shown)
--	ML500X.V3-S04	Stopper (Not Shown)
--	ML500X.V3-S06	Lower Cover (Not Shown)
--	ML500X.V3-S07	Small Insert (Not Shown)
--	ML500X.V3-S09	Grip, Plastic Cover (Not Shown)
--	ML500X.V3-S10	Large Insert (Not Shown)

NOTE: It is our policy to continually improve products and as such we reserve the right to alter data, specifications and component parts without prior notice. There may be alternative versions of this product, please contact us should you require this information.

IMPORTANT: No liability is accepted for incorrect use of product. Spare parts must be fitted by a competent person

WARRANTY: Guarantee is 12 months from purchase date, proof of which will be required for any claim.



Item	Part No.	Description
34	ML1000D.V3-34	Thread Screw
35	RW619.S	Repair Washer M6 x 19mm
36	ML1000D.V3-36	Bracket
37	ML1000D.V3-37	Stopper
38	ML1000D.V3-38	Cross Member
41	ML1000D.V3-41	Terminal Block
42	ML1000D.V3-42	Connection Box
43	ML1000D.V3-43	Cover, Connection Box
44	ML1000D.V3-44	Seal, Cover
45	ML1000D.V3-45	Stopper

Item	Part No.	Description
47	ML1000D.V3-47	Tube, Small
48	ML1000D.V3-48	Insert, Small
49	ML1000D.V3-49	Connector, Small
50	ML1000D.V3-50	Tube, Middle
51	ML1000D.V3-51	Insert, Large
52	ML1000D.V3-52	Connector, Large
53	ML1000D.V3-53	Tube, Large
54	ML1000D.V3-54	Cover, Seal
55	ML1000D.V3-55	Stand Leg
56	ML1000D.V3-56	Foot, Stand Leg

NOTE: It is our policy to continually improve products and as such we reserve the right to alter data, specifications and component parts without prior notice. There may be alternative versions of this product, please contact us should you require this information.

IMPORTANT: No liability is accepted for incorrect use of product. Spare parts must be fitted by a competent person

WARRANTY: Guarantee is 12 months from purchase date, proof of which will be required for any claim.