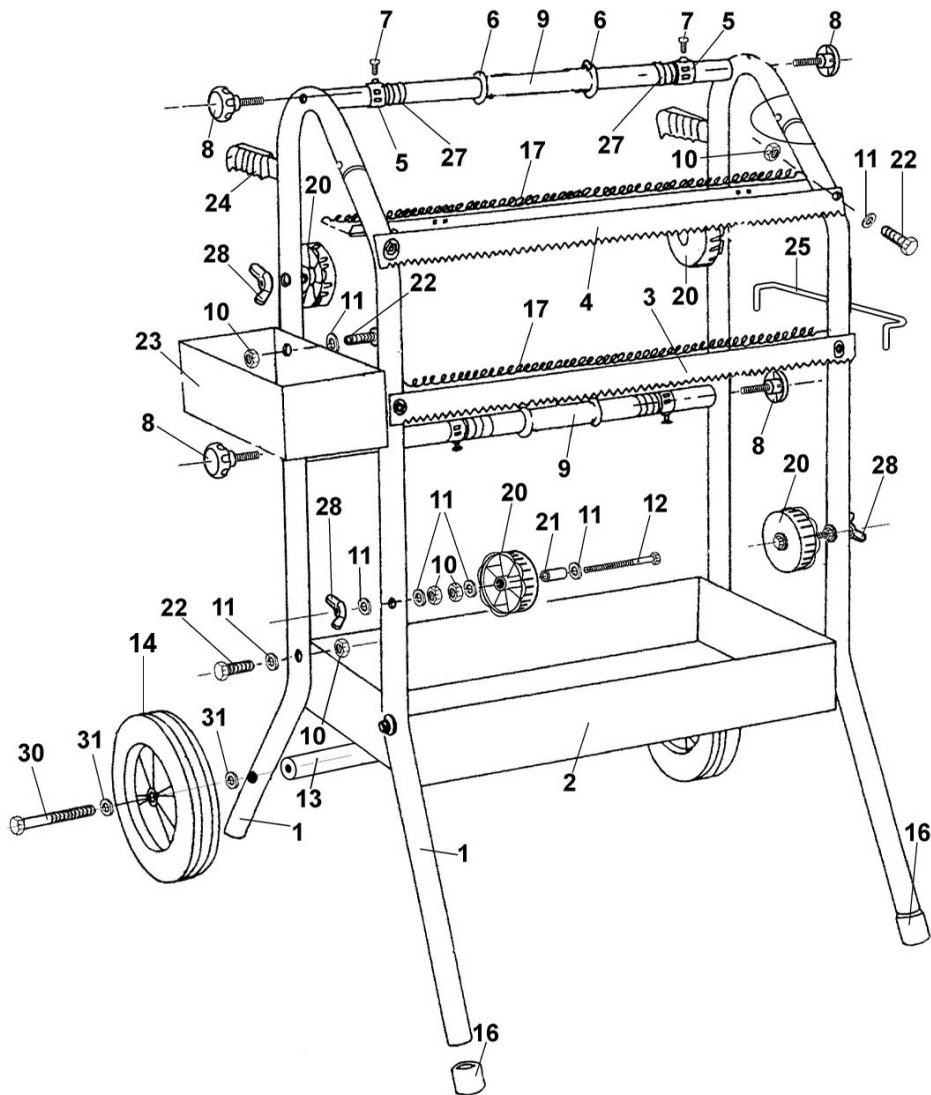


Parts Information:
**Masking Paper Dispenser 2 x 900mm
 Trolley**
Model No: MK67



Item	Part No.	Description
1	MK66/01	Frame
2	MK67/02	Tray
3	MK67/03	Paper Cutter, Lower
4	MK67/04	Paper Cutter, Upper
5	MK66/05	Paper Retainer
6	MK66/06	Paper Washer
7	MK66/07	Screw
8	MK65/24	Threaded Fixing Knob M10
9	MK67/09	Paper Bar 900mm
10	MK67/10	Star Lock Nut
11	MK66/11	Washer
12	MK66/12	Bolt M6 x 38mm
13	MK67/13-B	Axle
14	MK66/14	Wheel, Fixed

Item	Part No.	Description
16	MK66/16	Push On Foot
17	MK67/17	Cutter Spring
20	MK66.V3-08	Masking Tape Reel
21	MK66/21	Tubular Sleeve
22	MK66/22	Reel Fixing Bolt M6 x 80mm
23	MK66/23	Top Tray
24	MK66/24	Handle Grip
25	MK66/25	Hanger
27	MK66/27	Retaining Spring
28	MK66/28	Wing Nut 1/4" UNC
30	HHB1090.S	Hex Head Bolt M10 x 90mm
31	FWM10.S	Flat Washer M10
--	MK66/FK	Fixing Kit (Not Shown)

NOTE: It is our policy to continually improve products and as such we reserve the right to alter data, specifications and component parts without prior notice. There may be alternative versions of this product, please contact us should you require this information.

IMPORTANT: No liability is accepted for incorrect use of product. Spare parts must be fitted by a competent person

WARRANTY: Guarantee is 12 months from purchase date, proof of which will be required for any claim.