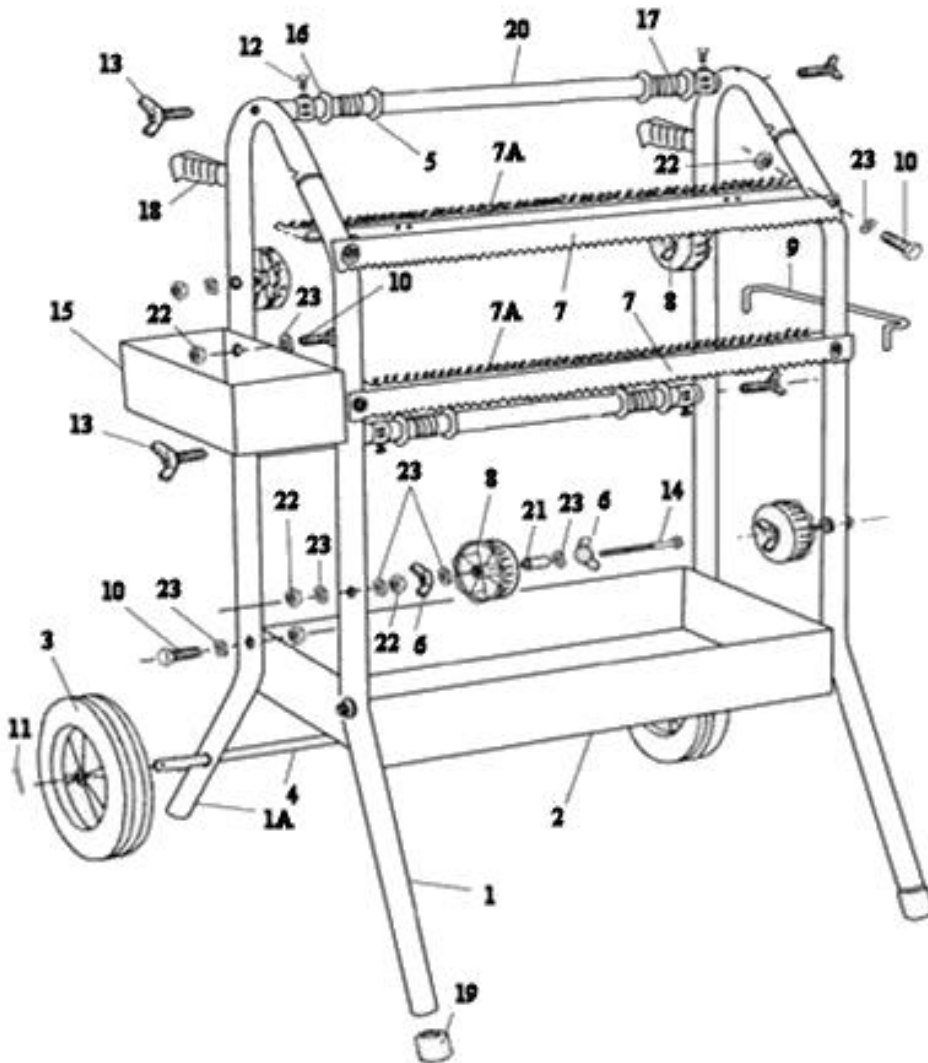


Parts Information:
Masking Paper Dispenser 2 x 450mm
Trolley
Model No: MK66.V4



Item	Part No.	Description
1	MK66.V4-01	FRONT FRAME
1A	MK66.V4-01A	REAR FRAME
2	MK66.V4-02	TOOL TRAY (LARGE)
3	MK66.V4-03	WHEEL
4	MK66.V4-04	AXLE
5	MK66.V4-05	PAPER HOLDING RING
6	MK66.V4-06	WING NUT
7	MK66.V4-07	CUTTING BLADE
7A	MK66.V4-07A	CUTTING BLADE SPRING
8	MK66.V4-08	TAPE REEL
9	MK66.V4-09	HANGER BAR
10	MK66.V4-10	BOLT
11	MK66.V4-11	COTTER PIN

Item	Part No.	Description
12	MK66.V4-12	WING BOLT M5x15mm
13	MK66.V4-13	WING BOLT
14	MK66.V4-14	LONG BOLT
15	MK66.V4-15	SMALL TOOL TRAY
16	MK66.V4-16	PAPER HOLDING WASHER
17	MK66.V4-17	PAPER HOLDING SPRING
18	MK66.V4-18	HANDLE GRIP
19	MK66.V4-19	PLASTIC TUBE COVER
20	MK66.V4-20	PAPER BAR
21	MK66.V4-21	BUSHING FOR TAPE REEL
22	MK66.V4-22	NUT M6
23	MK66.V4-23	WASHER M6

NOTE: It is our policy to continually improve products and as such we reserve the right to alter data, specifications and component parts without prior notice.

IMPORTANT: No liability is accepted for incorrect use of product.

WARRANTY: Guarantee is 12 months from purchase date, proof of which will be required for any claim.