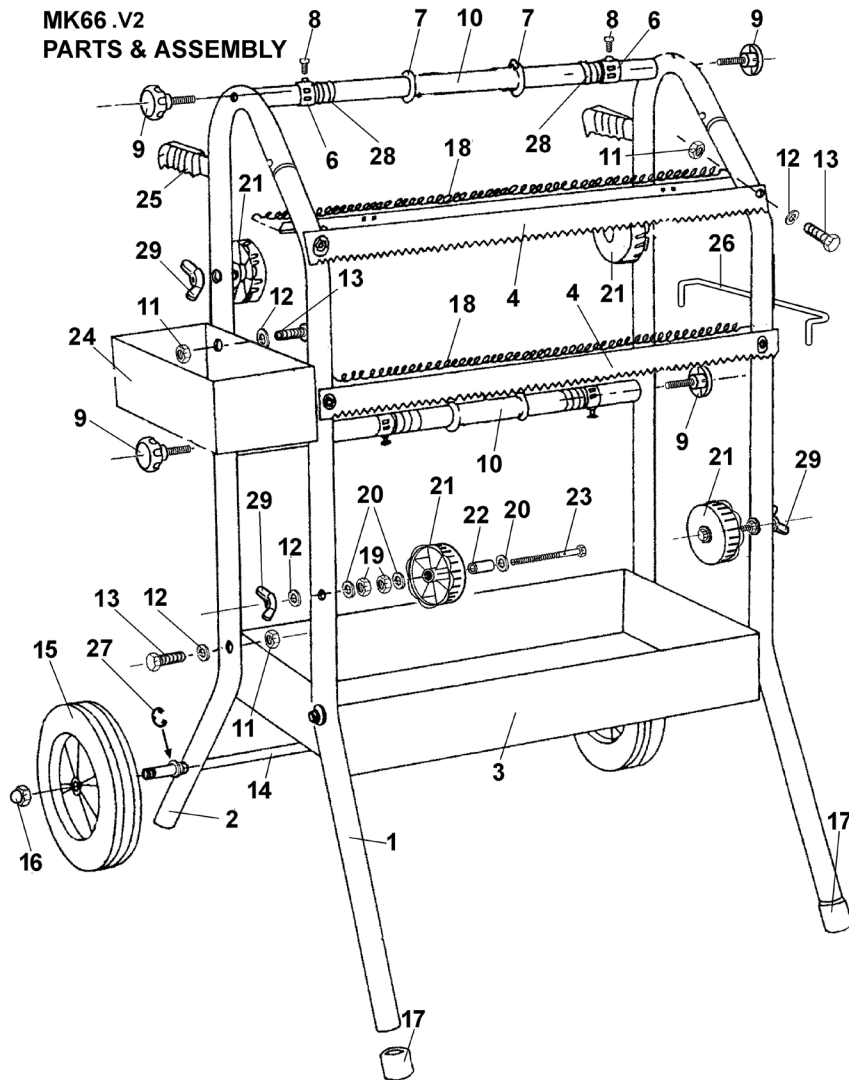


Parts Information:
Masking Paper Dispenser 2 x 450mm
Trolley
Model No: MK66.V2



Item	Part No.	Description
1	MK66.V2-01	FRONT FRAME
2	MK66.V2-01A	REAR FRAME
3	MK66.V2-02	18" BOTTOM TRAY- 500mm
4	MK66.V2-03	18" 90 DEG. PAPER CUTTER
--	MK66.V2-04	18" 45 DEG. PAPER CUTTER (NOT SHOWN)
6	MK66.V2-05	PAPER HOLDING RING
7	MK66.V2-06	PAPER HOLDING WASHER
8	MK66.V2-07	HEX.HEAD SCREW (3/16x3/4")
9	MK66.V2-08	WING BOLT (3/8-16x1 1/2")
10	MK66.V2-09	PAPER BAR 18"
11	MK66.V2-10	NUT(1/4")
12	MK66.V2-11	WASHER(1/4")
13	MK66.V2-12	BOLT(1/4"-20)
14	MK66.V2-13	AXLE SHAFT 500mm 18"
15	MK66.V2-14	WHEEL, FIXED (210x10x38)

Item	Part No.	Description
16	MK66.V2-15	AXLE NUT (3/8"C-CLIP)
17	MK66.V2-16	TIPPING FOOT
18	MK66.V2-17	CUTTER SPRING
19	MK66.V2-18	NUT(1/4")
20	MK66.V2-19	WASHER(1/4")
21	MK66.V3-08	TAPE REEL
22	MK66.V2-21	BUSHING FOR TAPE REEL
23	MK66.V2-22	TAPE REEL BOLT(1/4-20x3")
24	MK66.V2-23	SIDE TRAY
25	MK66.V2-24	HANDLE GRIP
26	MK66.V2-25	HANGER BAR
27	MK66.V2-26	AXLE WASHER
28	MK66.V2-27	SPRING,PAPER HOLDING RING
29	MK66.V2-28	WING NUT(1/4")

NOTE: It is our policy to continually improve products and as such we reserve the right to alter data, specifications and component parts without prior notice.
IMPORTANT: No liability is accepted for incorrect use of product.
WARRANTY: Guarantee is 12 months from purchase date, proof of which will be required for any claim.