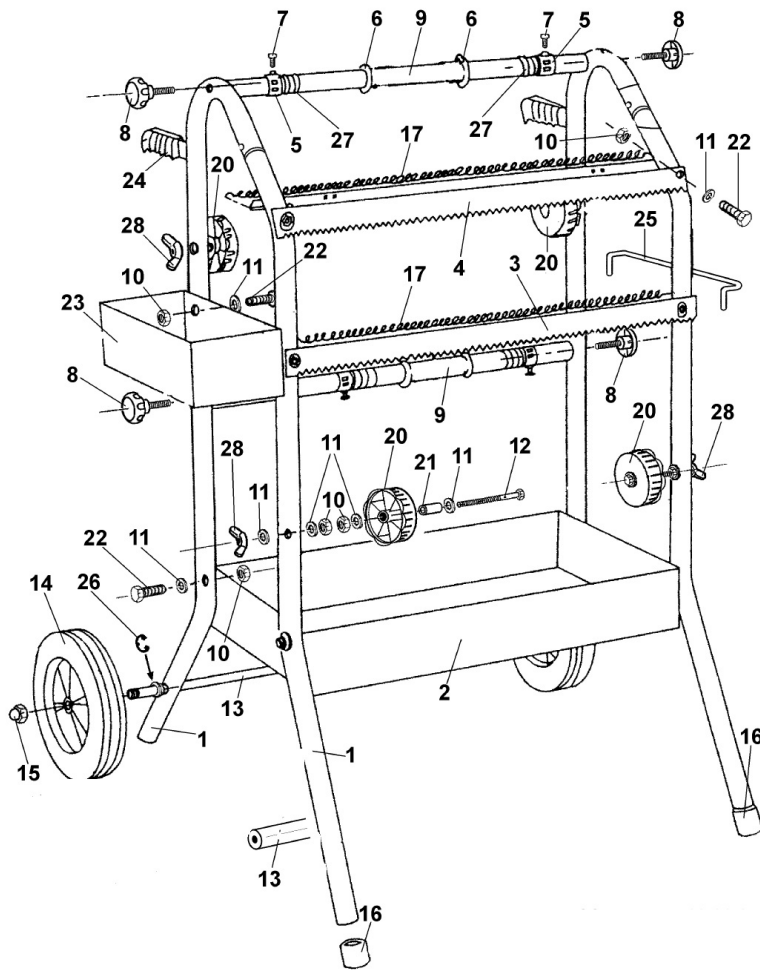


Parts Information:
Masking Paper Dispenser 2 x 450mm
Trolley
Model No: MK66



Item	Part No.	Description
1	MK66/01	Frame
2	MK66.V2-02	18" bottom tray- 500mm
3	MK66/03	Bottom paper blade (90')
4	MK66/04	Top paper blade (45')
5	MK66/05	Paper retainer
6	MK66/06	Paper washer
7	MK66/07	Screw
8	MK65/24	Knob
9	MK66/09	Paper bar 900mm
10	MK66/10	Nut
11	MK66/11	Washer
12	MK66/12	Bolt m6x38
13	MK66/13-A	Axle
14	MK66/14	Wheel, 220x48x10mm
15	MK66/15A	Push nut

Item	Part No.	Description
16	MK66/16	Tip foot
17	MK66/17	Paper spring
18	MK66/18	Hex nut nla
19	MK66/11	Washer
20	MK66.V3-08	Tape reel
21	MK66/21	Hub
22	MK66/22	Bolt
23	MK66/23	Top tray
24	MK66/24	Handle grip
25	MK66/25	Hanger
26	MK66/26	Snap ring
27	MK66/27	Retaining spring
28	MK66/28	1/4" unc wing nuts
29	MK66/FK	Fixing kit

NOTE: It is our policy to continually improve products and as such we reserve the right to alter data, specifications and component parts without prior notice.

IMPORTANT: No liability is accepted for incorrect use of product.

WARRANTY: Guarantee is 12 months from purchase date, proof of which will be required for any claim.