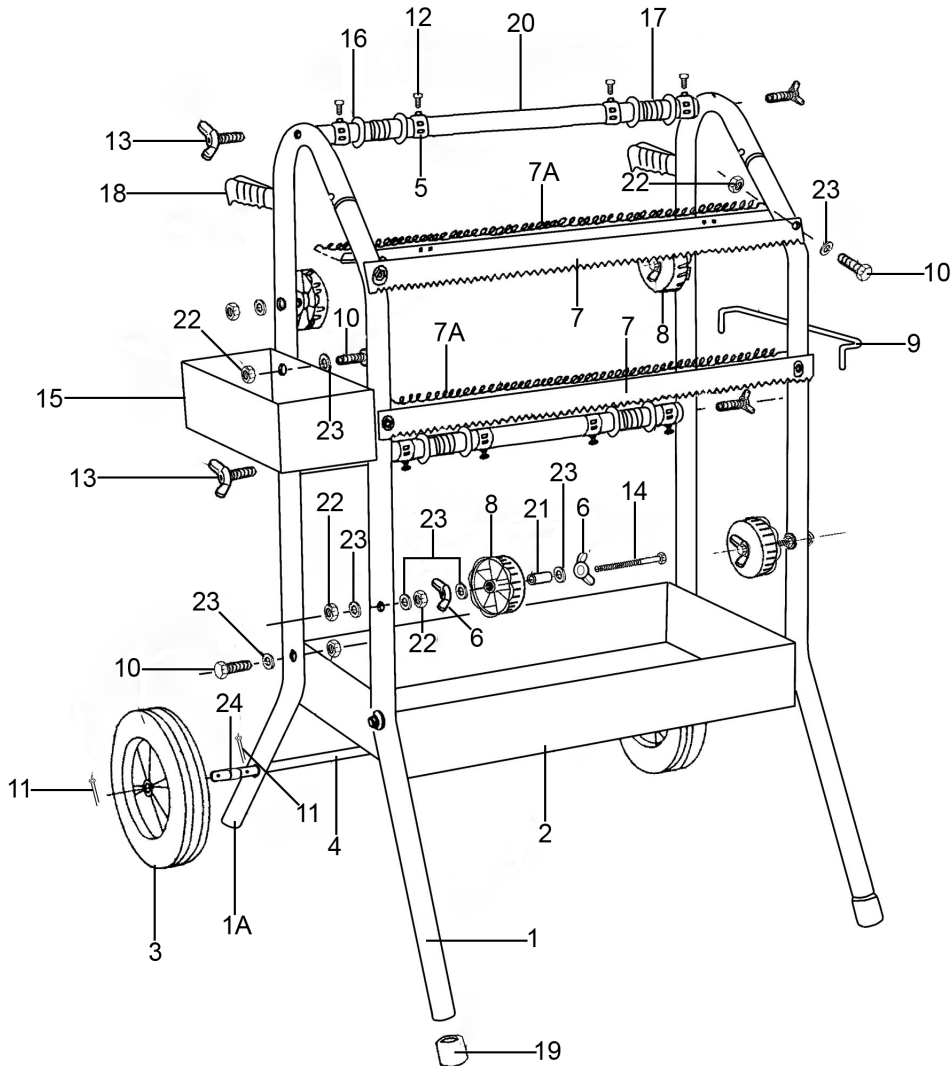


Parts Information:
**Masking Paper Dispenser 2 x 450mm
 Trolley**
Model No: MK66.V3



Item	Part No.	Description
1	MK66.V3-01	Front Frame
1A	MK66.V3-01A	Rear Frame
2	MK66.V3-02	Tool Tray, Large
3	MK66.V3-03	Wheel, Fixed
4	MK66.V3-04	Axle
5	MK66.V3-05	Paper Holding Ring
6	SN6.SW	Wing Nut M6
7	MK66.V3-07	Cutting Blade
7A	MK66.V3-07A	Spring, Cutting Blade
8	MK66.V3-08	Masking Tape Reel
9	MK66.V3-09	Hanger Bar
10	MSP640.S	Machine Screw Pan Head M6 x 40mm
11	MK66.V3-11	Cotter Pin

Item	Part No.	Description
12	MSP512.S	Machine Screw Pan Head Phillips M5 x 12mm
13	MK66.V3-13	Wing Bolt M10
14	SS690.S	Hex Head Set Screw M6 x 90mm
15	MK66.V3-15	Tool Tray, Small
16	MK66.V3-16	Seal Washer
17	MK66.V3-17	Spring, Paper Holding
18	MK66.V3-18	Handle Grip
19	MK66.V3-19	Frame Foot
20	MK66.V3-20	Paper Bar
21	MK66.V3-21	Bushing, Tape Reel
22	SN6.S	Steel Nut M6
23	FWM6.S	Flat Washer M6
24	MK66.V3-24	Spacer

NOTE: It is our policy to continually improve products and as such we reserve the right to alter data, specifications and component parts without prior notice. There may be alternative versions of this product, please contact us should you require this information.

IMPORTANT: No liability is accepted for incorrect use of product. Spare parts must be fitted by a competent person

WARRANTY: Guarantee is 12 months from purchase date, proof of which will be required for any claim.