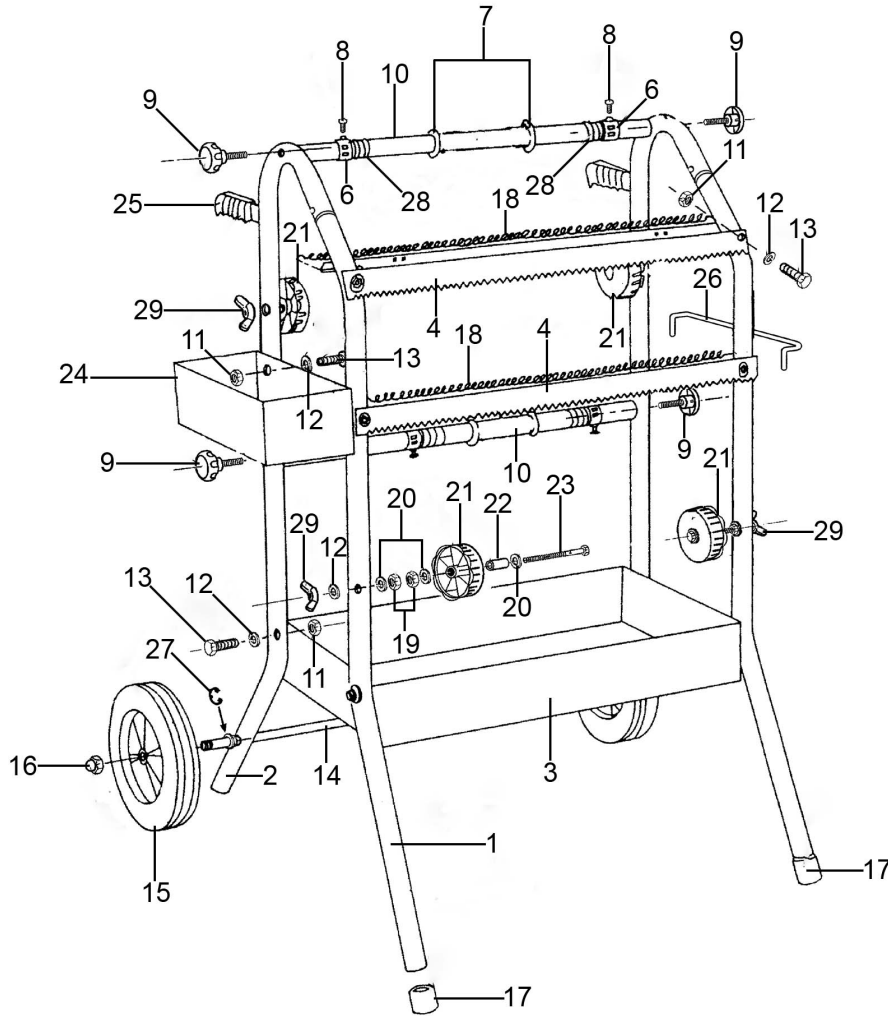


Parts Information:  
**Masking Paper Dispenser 2 x 450mm  
 Trolley**  
**Model No: MK66.V2**



Item	Part No.	Description
1	MK66.V2-01	Front Frame
2	MK66.V2-01A	Rear Frame
3	MK66.V2-02	18" Bottom Tray 500mm
4	MK66.V2-03	18" 90 Deg. Paper Cutter
6	MK66.V2-05	Paper Holding Ring
7	MK66.V2-06	Paper Holding Washer
8	MK66.V2-07	Hex Head Screw 3/16" x 3/4"
9	MK66.V2-08	Wing Bolt 3/8 - 16 x 1-1/2"
10	MK66.V2-09	Paper Bar 18"
11	MK66.V2-10	Nut 1/4"
12	MK66.V2-11	Washer 1/4"
13	MK66.V2-12	Bolt 1/4" - 20
14	MK66.V2-13	Axle Shaft 500mm
15	MK66.V2-14	Wheel, Fixed
16	MK66.V2-15	Axle Nut

Item	Part No.	Description
17	MK66.V2-16	Tipping Foot
18	MK66.V2-17	Cutter Spring
19	MK66.V2-18	Nut 1/4"
20	MK66.V2-19	Washer 1/4"
21	MK66.V3-08	Masking Tape Reel
22	MK66.V2-21	Bushing, Tape Reel
23	MK66.V2-22	Tape Reel Bolt 1/4-20 x 3"
24	MK66.V2-23	Side Tray
25	MK66.V2-24	Handle Grip
26	MK66.V2-25	Hanger Bar
27	MK66.V2-26	Axle Washer
28	MK66.V2-27	Spring, Paper Holding Ring
29	MK66.V2-28	Wing Nut 1/4"
--	MK66.V2-04	18" 45 Deg. Paper Cutter (Not Shown)

**NOTE:** It is our policy to continually improve products and as such we reserve the right to alter data, specifications and component parts without prior notice. There may be alternative versions of this product, please contact us should you require this information.

**IMPORTANT:** No liability is accepted for incorrect use of product. Spare parts must be fitted by a competent person

**WARRANTY:** Guarantee is 12 months from purchase date, proof of which will be required for any claim.