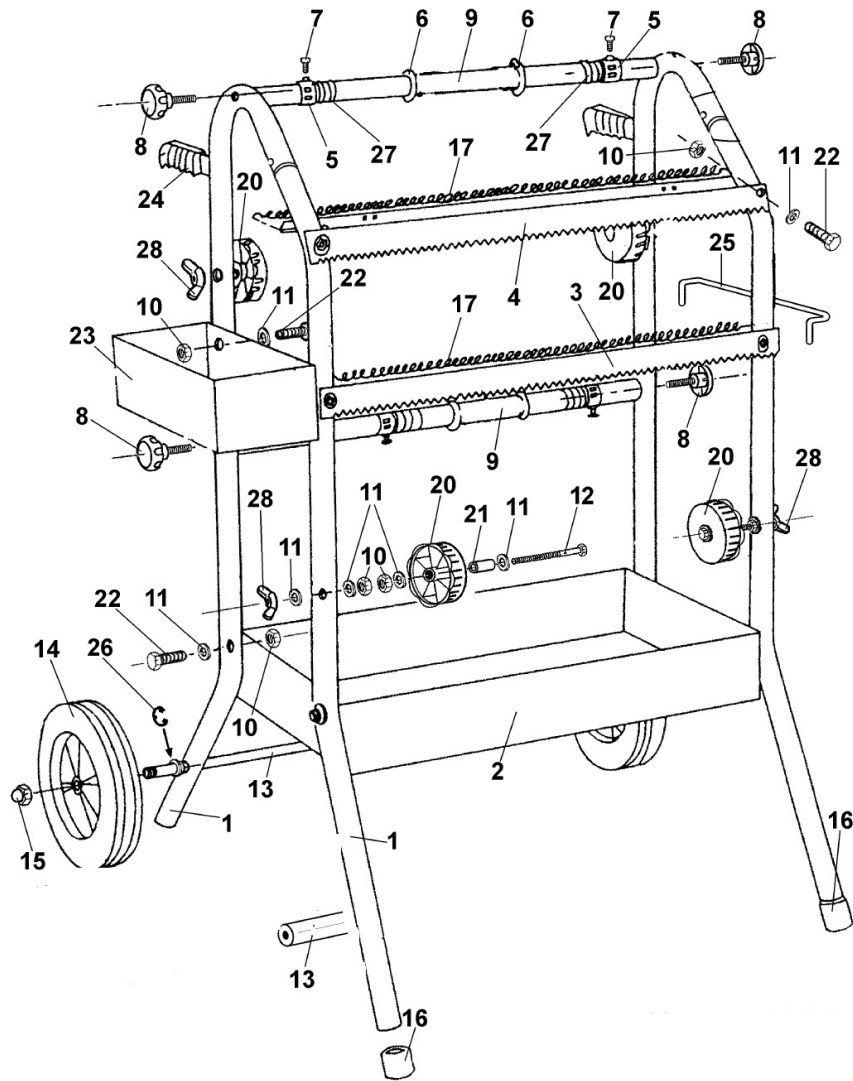


Parts Information:
Masking Paper Dispenser 2 x 450mm
Trolley
Model No: MK66



Item	Part No.	Description
1	MK66/01	Frame
2	MK66.V2-02	Bottom Tray 18"
3	MK66/03	Paper Blade 90°, Bottom
4	MK66/04	Paper Blade 45°, Top
5	MK66/05	Paper Retainer
6	MK66/06	Paper Washer
7	MK66/07	Screw
8	MK65/24	Threaded Fixing Knob M10
9	MK66/09	Paper Bar 900mm
10	MK66/10	Nut
11	MK66/11	Washer
12	MK66/12	Bolt M6 x 38mm
13	MK66/13-A	Axle
14	MK66/14	Wheel, Fixed

Item	Part No.	Description
15	MK66/15A	Push Nut
16	MK66/16	Foot
17	MK66.V3-07A	Paper Spring
20	MK66.V3-08	Masking Tape Reel
21	MK66/21	Tubular Sleeve
22	MK66/22	Reel Fixing Bolt M6 x 80mm
23	MK66/23	Top Tray
24	MK66/24	Handle Grip
25	MK66/25	Hanger
26	MK66/26	Snap Ring
27	MK66/27	Retaining Spring
28	MK66/28	Wing Nut 1/4" UNC
--	MK66/18	Wing Nut M6 (Not Shown)
--	MK66/FK	Fixing Kit (Not Shown)

NOTE: It is our policy to continually improve products and as such we reserve the right to alter data, specifications and component parts without prior notice. There may be alternative versions of this product, please contact us should you require this information.

IMPORTANT: No liability is accepted for incorrect use of product. Spare parts must be fitted by a competent person

WARRANTY: Guarantee is 12 months from purchase date, proof of which will be required for any claim.