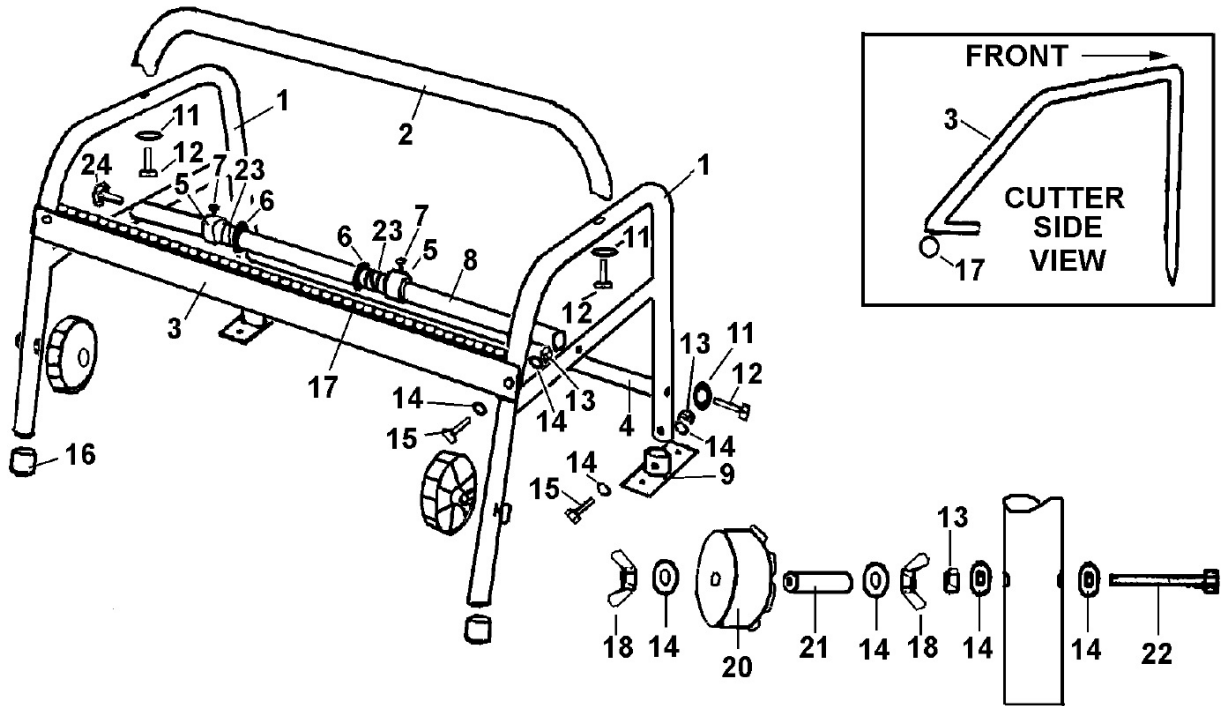


Parts Information:
Masking Paper Dispenser 1 x 450mm Floor Mounting
Model No: MK65



Item	Part No.	Description
1	MK65/01	Frame side
2	MK65/02	Top handle
3	MK65/03	Cutter
4	MK66/09	Paper bar 900mm
5	MK66/05	Paper retainer
6	MK66/06	Paper washer
7	MK66/07	Screw
8	MK65/08	Paper bar 450mm
9	MK65/09	Wall mounting bracket
11	MK66/11	Washer
12	MK66/12	Bolt m6x38
13	MK65/13	Hex nut 3/16-20

Item	Part No.	Description
14	RW619.S	Repair washer m6x19 (single)
15	MK65/15	Screw 3/16-20x1-1/4
16	MK66/16	Tip foot
17	MK66/17	Paper spring
18	MK66/18	Hex nut n/a
20	MK66.V3-08	Tape reel
21	MK66/21	Hub
22	MK66/22	Bolt
23	MK65/23	Paper bar spring
24	MK65/24	Knob
--	MK65/FK	Fixing kit (NOT SHOWN)

NOTE: It is our policy to continually improve products and as such we reserve the right to alter data, specifications and component parts without prior notice.

IMPORTANT: No liability is accepted for incorrect use of product.

WARRANTY: Guarantee is 12 months from purchase date, proof of which will be required for any claim.