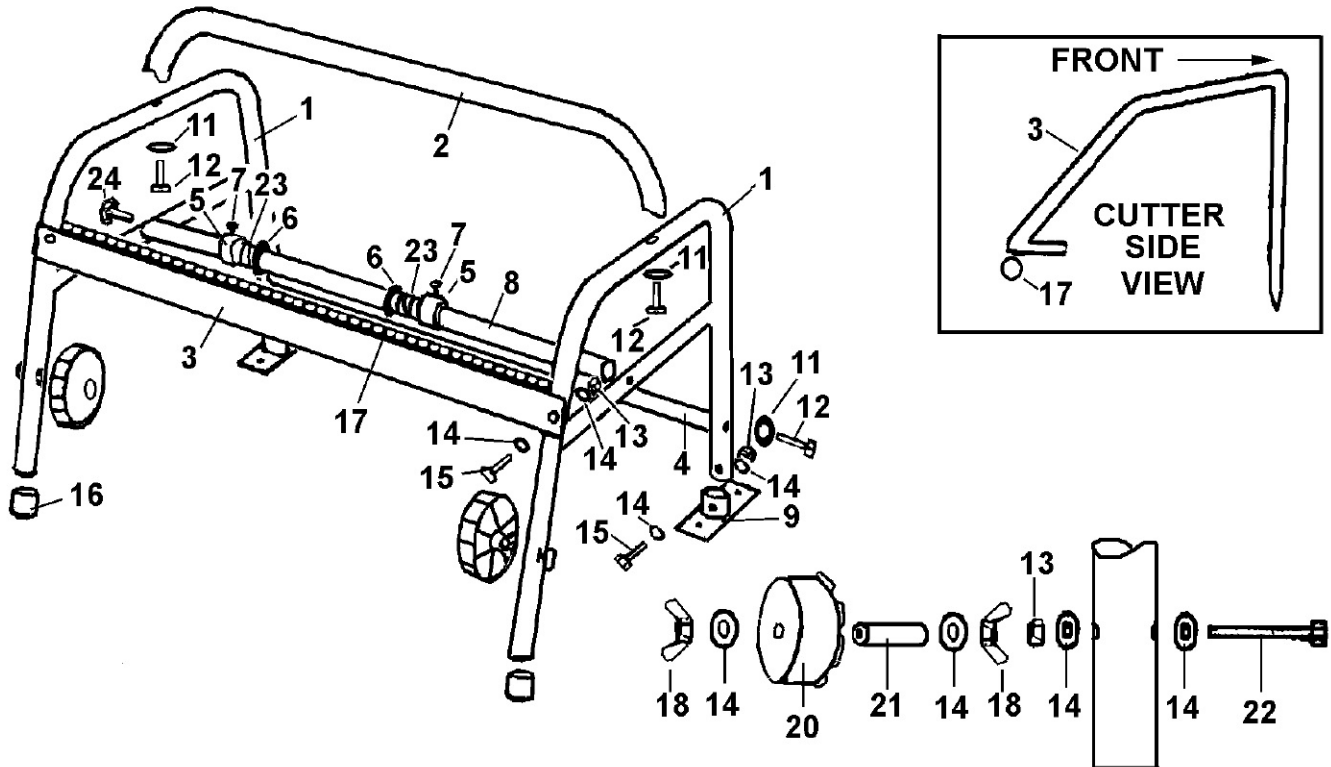


Parts Information:
Masking Paper Dispenser 1 x 450mm Floor Mounting
Model No: MK65



Item	Part No.	Description
1	MK65/01	Frame Side
2	MK65/02	Top Handle
3	MK65/03	Cutter
4	MK66/09	Paper Bar 900mm
5	MK66/05	Paper Retainer
6	MK66/06	Paper Washer
7	MK66/07	Screw
8	MK65/08	Paper Bar 450mm
9	MK65/09	Wall Mounting Bracket
11	MK66/11	Washer
12	MK66/12	Bolt M6 x 38mm
13	MK65/13	Hex Nut 3/16"-20

Item	Part No.	Description
14	RW619.S	Repair Washer M6 x 19mm
15	MK65/15	Screw 3/16"-20 x 1-1/4"
16	MK66/16	Push On Foot
17	MK66.V3-07A	Paper Spring
18	MK66/18	Wing Nut M6
20	MK66.V3-08	Masking Tape Reel
21	MK66/21	Tubular Sleeve
22	MK66/22	Reel Fixing Bolt M6 x 80mm
23	MK65/23	Paper Bar Spring
24	MK65/24	Threaded Fixing Knob M10
--	MK65/FK	Fixing Kit (Not Shown)

NOTE: It is our policy to continually improve products and as such we reserve the right to alter data, specifications and component parts without prior notice. There may be alternative versions of this product, please contact us should you require this information.

IMPORTANT: No liability is accepted for incorrect use of product. Spare parts must be fitted by a competent person

WARRANTY: Guarantee is 12 months from purchase date, proof of which will be required for any claim.