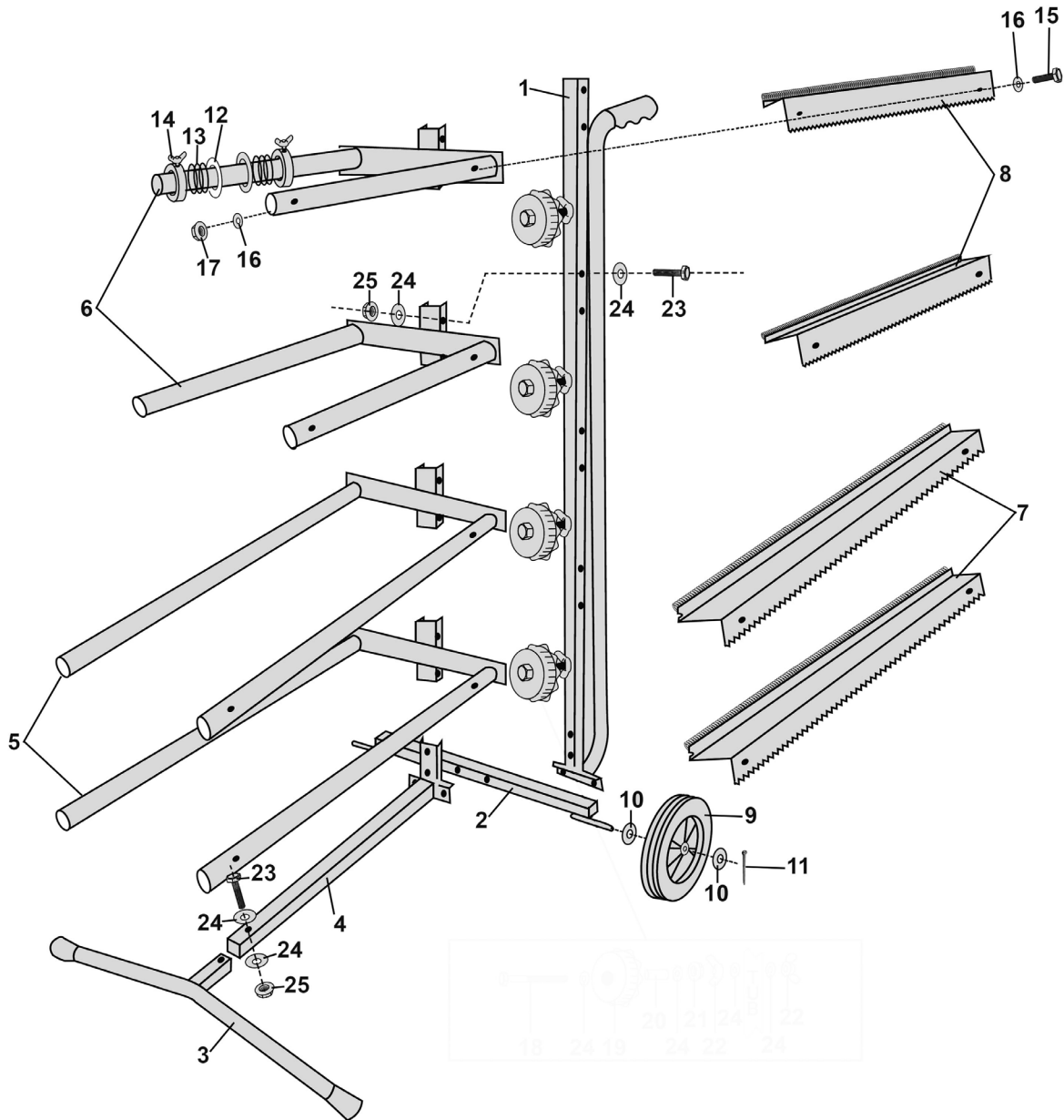


Parts Information:
Masking Paper Dispenser - 2 x 300mm & 2 x 560mm Tree
Model No: MK63



Item	Part No.	Description
1	MK63-01	Main Frame
2	MK63-02	Wheel Frame
3	MK63-03	Bottom Frame (V-Shape)
4	MK63-04	Bottom Frame
5	MK63-05	Support Assembly 22"
6	MK63-06	Support Assembly 16"
7	MK63-07	Cutting Blade and Spring 22"
8	MK63-08	Cutting Blade and Spring 16"

Item	Part No.	Description
--	MK63-09-11	Wheel Assembly (contains item numbers: 09, 10, 11)
--	MK63-12-14	Paper Roll Assembly (contains item numbers: 12, 13, 14)
--	MK63-15-17	Cutting Blade Assembly Contains item numbers: 15, 16, 17)
--	MK63-18-24	Tape Reel Assembly
--	MK63-23-25	Fixing for Lower Frame (contains item numbers: 23, 24, 25)

NOTE: It is our policy to continually improve products and as such we reserve the right to alter data, specifications and component parts without prior notice. There may be alternative versions of this product, please contact us should you require this information.

IMPORTANT: No liability is accepted for incorrect use of product. Spare parts must be fitted by a competent person

WARRANTY: Guarantee is 12 months from purchase date, proof of which will be required for any claim.