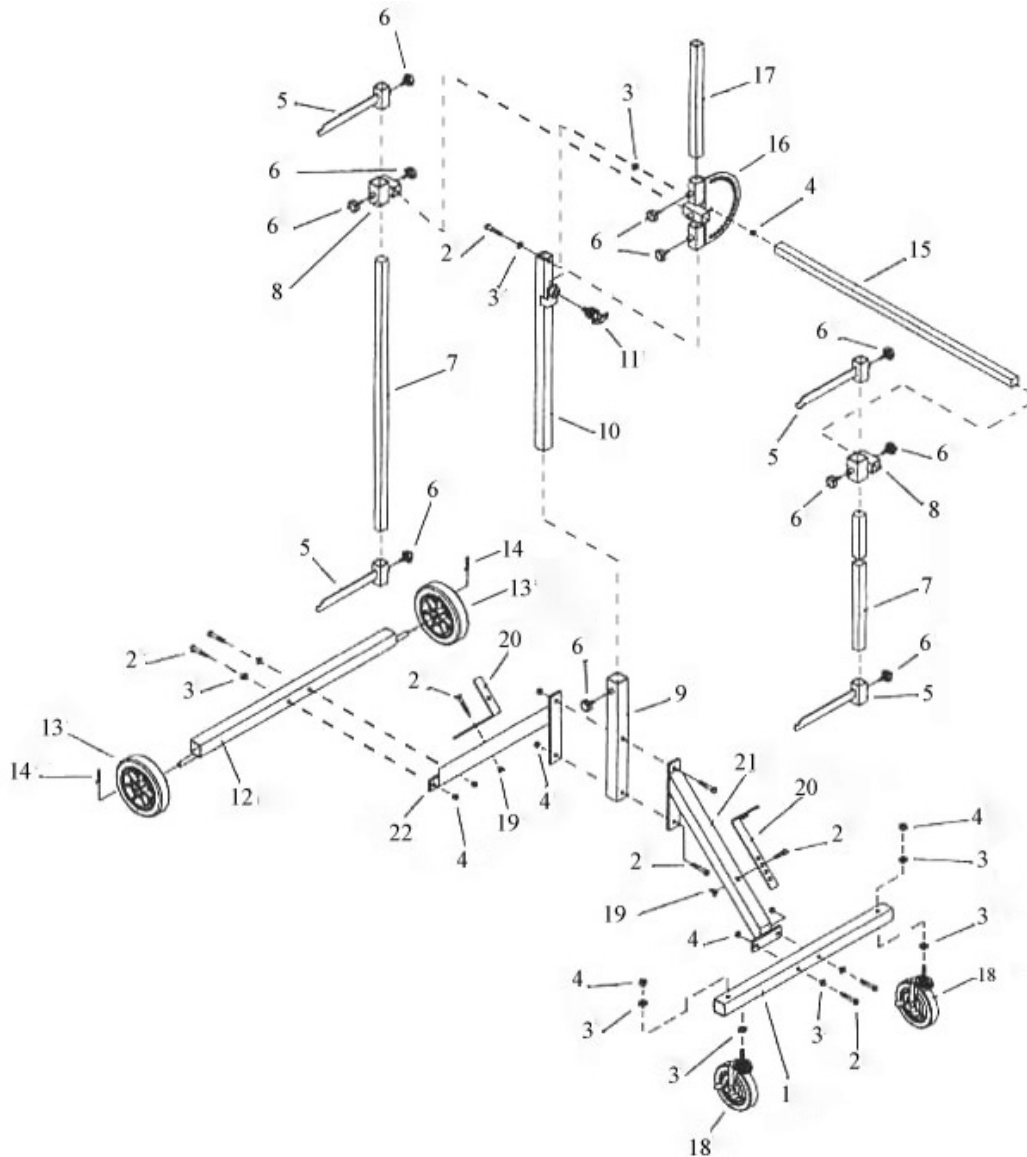


Parts Information:  
**Panel Stand - Door, Wing, Bonnet & Bumper**  
**Model No: MK51**



Item	Part No.	Description
1	MK51.01	Side Leg, Base Tube
2	MK51.02	Screw
3	MK51.03	Washer
4	NLN38.UNC	Nyloc Nut 3/8" UNC
5	MK51.05	Support, Upright (Set Tube)
6	MK51.06	Knob
7	MK51.07	Upright Frame, Side (Erect Tube)
8	MK51.08	Support, Upright (Set Tube)
9	MK51.09	Frame Support, Upright (Bottom Erect Tube)
10	MK51.10	Upright Frame (Top Erect Tube)
11	MK51.11	Lock Pin
12	MK51.12	Side Leg, Base Tube

Item	Part No.	Description
13	MK51.13	Wheel, Fixed
14	MK51.14	Snap Ring
15	MK51.15	Extension Frame (Cross Tube)
16	MK51.16	Adjustable Angle Bracket (Angular Disc)
17	MK51.17	Extension Frame
18	MK51.18	Wheel, Swivel Castor (w/Brake)
19	MK51.19	Wing Nut
20	MK51.20	Bracket
21	MK51.21	Base Support
22	MK51.22	Base Support
--	MK51.02A	Fixing Kit (Not Shown)
--	MK51.13A	Wheel Kit (Not Shown)

**NOTE:** It is our policy to continually improve products and as such we reserve the right to alter data, specifications and component parts without prior notice. There may be alternative versions of this product, please contact us should you require this information.

**IMPORTANT:** No liability is accepted for incorrect use of product. Spare parts must be fitted by a competent person

**WARRANTY:** Guarantee is 12 months from purchase date, proof of which will be required for any claim.