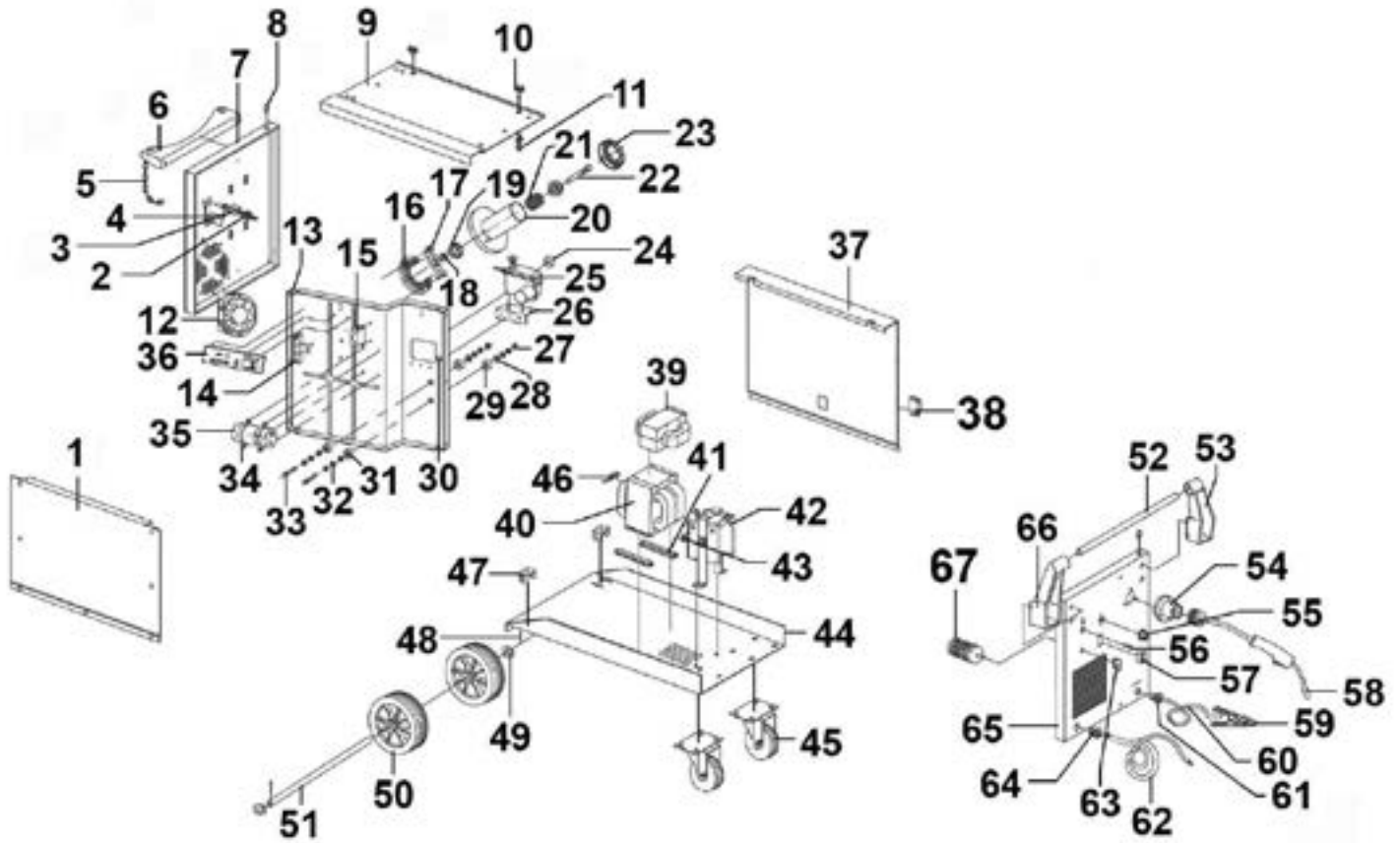




Parts Information:
**Professional Gas/No-Gas MIG Welder 210A
 with Euro Torch**
Model No: MIGHTYMIG210.V3



| Item | Part No. | Description |
|------|---------------|---------------------------------|
| 1 | MMIG210.V3-01 | Side Panel, Left |
| 2 | M/MIG250.66 | Valve Assembly |
| 3 | M-MIG210V2.03 | Valve Connector |
| 4 | M/MIG210.03 | Valve Bracket |
| 5 | M/MIG210.04 | Chain |
| 6 | M/MIG210.05 | Gas Bottle Support |
| 7 | M/MIG210.06 | Back Panel |
| 8 | M/MIG210.07 | Rubber Support |
| 9 | M/MIG210.08 | Top Panel |
| 10 | M/MIG210.09A | Hinge (Two Screw Fixing) |
| 11 | FN8.S | Flange Nut Serrated M8 Zinc |
| 12 | M/MIG250.75 | Fan |
| 13 | M/MIG210.13 | Inner Panel |
| 14 | M/MIG210.14 | Resistance |
| 15 | M/MIG210.15 | Relay |
| 16 | M/MIG210.16 | Spindle For Wire Reel |
| 17 | SS820.S | Hex Head Set Screw M8 X 20 Zinc |
| 18 | SN10.S | Steel Nut M10 Zinc |
| 19 | M/MIG250.53 | Plastic Knob |

| Item | Part No. | Description |
|------|---------------|--------------------------------|
| 20 | M/MIG250.54 | Spool Holder |
| 21 | M/MIG250.55 | Spring Dia 30.1mm |
| 22 | HHB1080.S | Hex Head Bolt M10 x 80mm |
| 23 | M/MIG250.56 | Retainer |
| 24 | SMIG275.52 | Wire Feeder Roller 0.6-0.8mm |
| 25 | M/MIG250.60 | Wire Feed Motor (Internal 24v) |
| 26 | M/MIG210.26 | Wire Feed Support |
| 27 | SN8.S | Steel Nut M8 Zinc |
| 28 | RW825.S | Repair Washer M8 X 25 Zinc |
| 29 | M/MIG250.36 | Insulating Washer |
| 30 | M/MIG210.30 | Rubber Ring |
| 31 | M/MIG250.38 | Insulating Washer |
| 32 | RW825.S | Repair Washer M8 X 25 Zinc |
| 33 | M/MIG190.33 | Bolt M8x55 |
| 34 | M/MIG210.34 | Capacitor Bracket |
| 35 | M/MIG250.76 | Capacitor |
| 36 | M/MIG210.36 | Wire Feed PCB |
| 37 | MMIG210.V3-37 | Side Panel, Right |
| 38 | M/MIG250.73 | Latch |

NOTE: It is our policy to continually improve products and as such we reserve the right to alter data, specifications and component parts without prior notice. There may be alternative versions of this product, please contact us should you require this information.

IMPORTANT: No liability is accepted for incorrect use of product. Spare parts must be fitted by a competent person

WARRANTY: Guarantee is 12 months from purchase date, proof of which will be required for any claim.

Sealey Group, Kempson Way, Suffolk Business Park, Bury St Edmunds, Suffolk. IP32 7AR



01284 757500



01284 703534



sales@sealey.co.uk



www.sealey.co.uk



Parts Information:
**Professional Gas/No-Gas MIG Welder 210A
with Euro Torch
Model No: MIGHTYMIG210.V3**

| Item | Part No. | Description |
|------|-------------|---|
| 39 | M/MIG210.39 | Filter Reactor |
| 40 | M/MIG210.40 | Transformer |
| 41 | M/MIG210.41 | Transformer Support |
| 42 | M/MIG210.42 | Rectifier(C/w Support) |
| 43 | M/MIG190.43 | Overload Cut-Out Switch |
| 44 | M/MIG210.44 | Bottom Panel |
| 45 | M/MIG250.06 | Wheel, Swivel Castor, 4 Bolt (D:75 W:30 B:10 H:115) |
| 46 | M/MIG210.46 | Thermal Cut-Out Switch |
| 47 | M/MIG210.47 | Axle Bracket |
| 48 | M/MIG250.02 | Cotter pin 3 x 40 |
| 49 | FWM20.S | Flat Washer M20 |
| 50 | M/MIG250.04 | Wheel, Fixed (D:200 W:50 B: 19) |
| 51 | M/MIG250.49 | Axle |
| 52 | M/MIG250.17 | Handle |
| 53 | M/MIG250.13 | Handle Support (Right) |

| Item | Part No. | Description |
|------|---------------|--|
| 54 | M/MIG250.11 | Torch Holder Assembly |
| 55 | M/MIG250.20 | Speed Control Knob |
| 56 | M/MIG210.56 | Overload [Indicator Light, 24v, 24ma |
| 57 | M/MIG250.12 | Switch, On/Off Illuminated Rocker (16a/250V) |
| 58 | M-MIG210V2.58 | Euro Welding Torch 3mtr - Ergo 15.2 |
| 59 | M/MIG210.59 | Clamp (Earth) |
| 60 | M/MIG210.60 | Earth Cable |
| 61 | M/MIG210.61 | Cable Grip |
| 62 | M/MIG210.62 | Line Cable |
| 63 | M/MIG210.63 | Voltage Control Knob |
| 64 | M/MIG210.64 | Cable Grip |
| 65 | MMIG210.V3-65 | Front Panel |
| 66 | M/MIG250.16 | Handle Support (Left) |
| 67 | M/MIG250.23 | Switch, Rotary Voltage Control. C/w Knob (EN60947-3) |
| -- | M/MIG210.24A | Wire Feed Roller (0.9-1.0mm) (Not Shown) |

NOTE: It is our policy to continually improve products and as such we reserve the right to alter data, specifications and component parts without prior notice. There may be alternative versions of this product, please contact us should you require this information.

IMPORTANT: No liability is accepted for incorrect use of product. Spare parts must be fitted by a competent person

WARRANTY: Guarantee is 12 months from purchase date, proof of which will be required for any claim.

Sealey Group, Kempson Way, Suffolk Business Park, Bury St Edmunds, Suffolk. IP32 7AR



01284 757500



01284 703534



sales@sealey.co.uk



www.sealey.co.uk