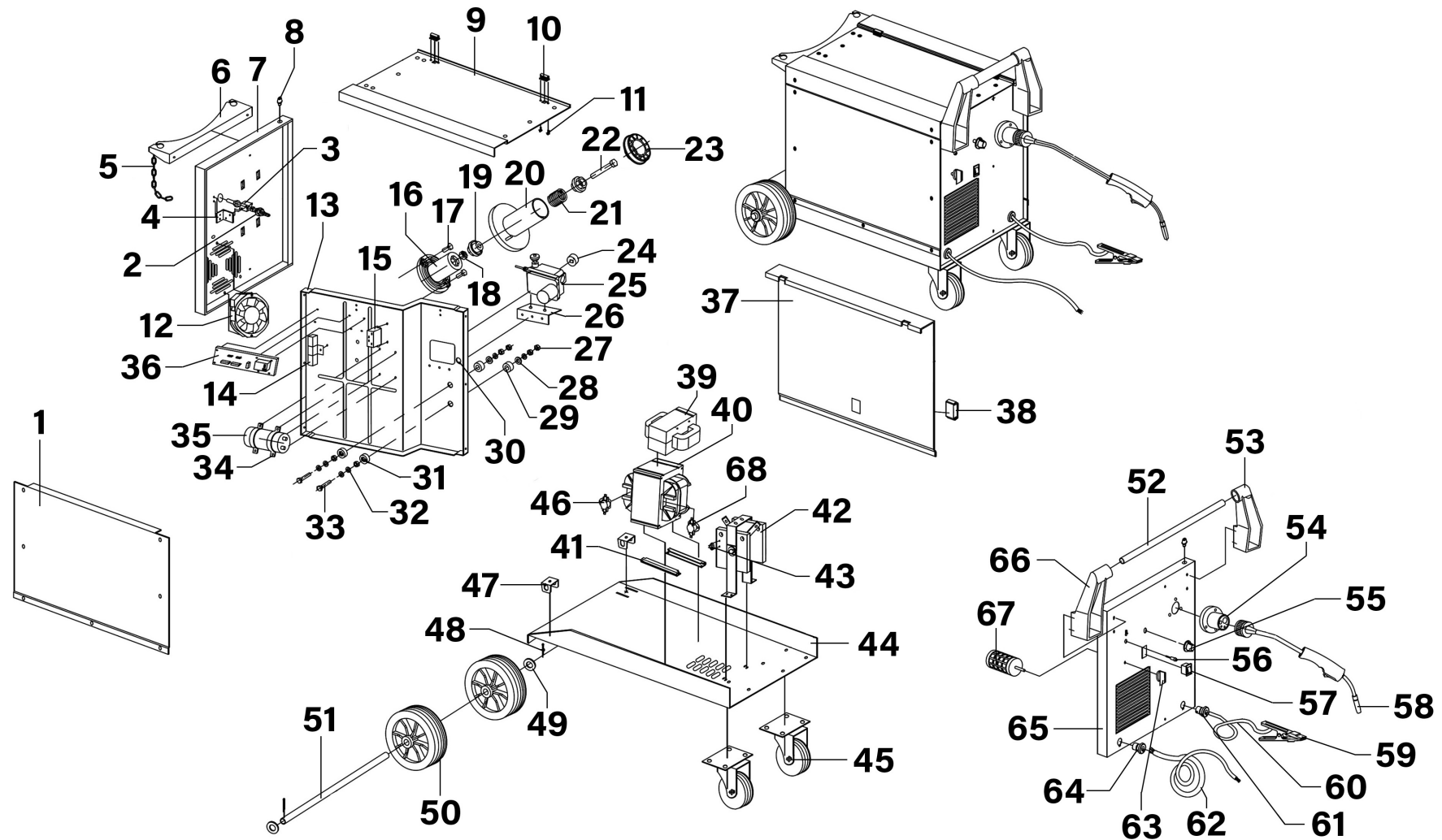




Parts Information:

Gas/No-Gas MIG Welder 190A with Euro Torch
Model No: MIGHTYMIG190.V4



NOTE: It is our policy to continually improve products and as such we reserve the right to alter data, specifications and component parts without prior notice.

There may be alternative versions of this product, please contact us should you require this information.

IMPORTANT: No liability is accepted for incorrect use of product. Spare parts must be fitted by a competent person

WARRANTY: Guarantee is 12 months from purchase date, proof of which will be required for any claim.

Sealey Group, Kempson Way, Suffolk Business Park, Bury St Edmunds, Suffolk. IP32 7AR



01284 757500



sales@sealey.co.uk



www.sealey.co.uk



Parts Information:
**Gas/No-Gas MIG Welder 190A with
Euro Torch**
Model No: MIGHTYMIG190.V4

Item	Part No.	Description
1	MMIG190.V3-01	Side Panel, Left
2	MMIG210-V4-02	Valve Connector
3	MMIG210-V4-03	Valve Assembly
4	M/MIG210.03	Valve Bracket
5	M/MIG210.04	Chain
6	M/MIG210.05	Gas Bottle Support
7	M/MIG210.06	Back Panel
8	M/MIG210.07	Rubber Support
9	M/MIG210.08	Top Panel
10	M/MIG210.09A	Hinge (Two Screw Fixing)
11	FN8.S	Flange Nut Serrated M8 Zinc
12	M/MIG250.75	Fan
13	M/MIG210.13	Inner Panel
14	M/MIG210.14	Resistance
15	M/MIG210.15	Relay
16	M/MIG210.16	Spindle For Wire Reel
17	SS820.S	Hex Head Set Screw M8 X 20 Zinc
18	SN10.S	Steel Nut M10 Zinc
19	M/MIG250.53	Knob, Plastic, Od: 35mm, 10mm Female Fitting
20	M/MIG250.54	Spool Holder
21	M/MIG250.55	Spring Dia 30.1mm
22	HHB1080.S	Hex Head Bolt M10 X 80mm
23	M/MIG250.56	Retainer
24	MMIG210-V4-24	Wire Feed Roller
25	MMIG210-V4-25	Wire Feed Motor
26	M/MIG210.26	Wire Feed Support
27	M/MIG190.27	Hex Full Nut M8 Brass
28	RW825.S	Repair Washer M8 X 25 Zinc
29	M/MIG250.36	Insulating Washer
30	M/MIG210.30	Rubber Ring
31	M/MIG250.38	Insulating Washer
32	RW825.S	Repair Washer M8 X 25 Zinc
33	M/MIG190.33	Bolt M8x55
34	M/MIG210.34	Capacitor Bracket
35	M/MIG250.76	Capacitor
36	M/MIG210.36	PCB, Wire Feed Board, 228 X 54mm

Item	Part No.	Description
37	MMIG190.V3-37	Side Panel, Right
38	M/MIG250.73	Latch
39	M/MIG190.39	Filter Reactor
40	M/MIG190.40	Transformer
41	M/MIG190.41	Transformer Support
42	MMIG190-V4-42	Rectifier (c/w Support)
43	M/MIG190.43	Overload Cut Out Switch
44	M/MIG210.44	Bottom Panel
45	M/MIG250.06	Wheel,Swivel Castor, 4 Bolt (D:75 W:30 B:10 H:115)
46	MMIG190-V4-46	Thermal Protection
47	M/MIG210.47	Axle Bracket
48	M/MIG250.02	Cotter Pin 3 x 40
49	FWM20.S	Flat Washer M20
50	M/MIG250.04	Wheel, Fixed (D:200 W:50 B: 19)
51	M/MIG250.49	Axle
52	MMIG210-V4-52	Handle
53	M/MIG250.13	Handle Support (Right)
54	M/MIG250.11	Torch Holder Assembly
55	M/MIG250.20	Knob, Speed Control, Plastic, Knurled, Red Top, Od: 25mm L: 20mm, 6mm Female Fitting
56	M/MIG210.56	Overload Indicator Light, 24V, 24Ma
57	M/MIG250.12	Switch, On/Off Illuminated Rocker (16A/250V)
58	M-MIG210V2.58	Euro Welding Torch 3mtr - Ergo 15.2
59	M/MIG210.59	Clamp (Earth)
60	M/MIG210.60	Earth Cable
61	M/MIG210.61	Cable Grip
62	M/MIG210.62	Line Cable
63	M/MIG190.63	Knob, Kit, Voltage Control, Od: 37mm, 6mm Pentagonal Female
64	M/MIG190.64	Cable Grip
65	MMIG190.V3-65	Front Panel
66	M/MIG250.16	Handle Support (Left)
67	M/MIG250.23	Switch, Rotary Voltage Control. c/w Knob (EN60947-3)
68	MMIG190-V4-68	Thermal Control

NOTE: It is our policy to continually improve products and as such we reserve the right to alter data, specifications and component parts without prior notice. There may be alternative versions of this product, please contact us should you require this information.

IMPORTANT: No liability is accepted for incorrect use of product. Spare parts must be fitted by a competent person

WARRANTY: Guarantee is 12 months from purchase date, proof of which will be required for any claim.

Sealey Group, Kempson Way, Suffolk Business Park, Bury St Edmunds, Suffolk. IP32 7AR



01284 757500



sales@sealey.co.uk



www.sealey.co.uk