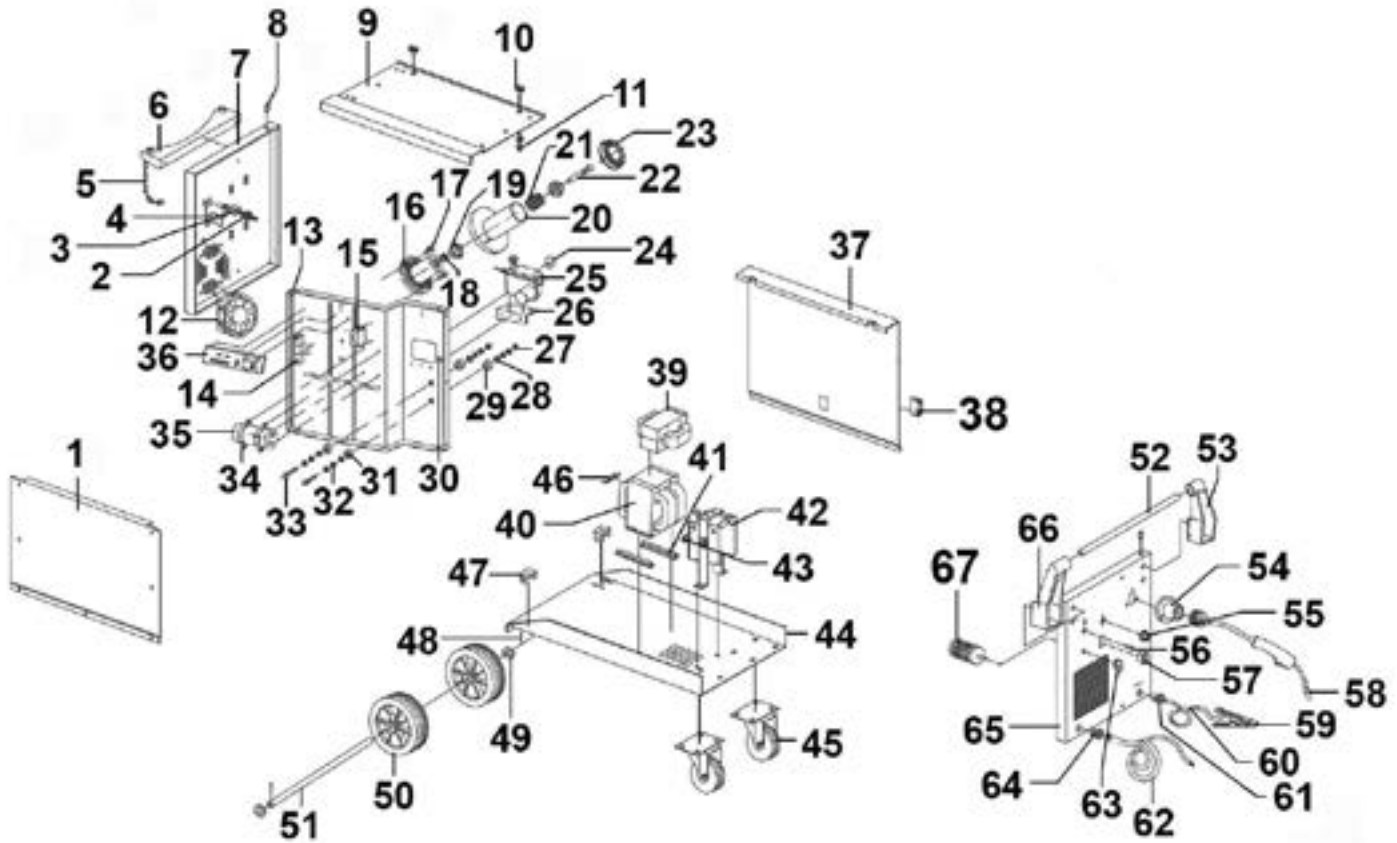


Parts Information:
**Professional Gas/No-Gas MIG Welder 190A
 with Euro Torch**
Model No: MIGHTYMIG190.V3



Item	Part No.	Description
1	MMIG190.V3-01	Side Panel, Left
2	M/MIG250.66	Valve Assembly
3	M-MIG190V2.03	Valve Connector
4	M/MIG210.03	Valve Bracket
5	M/MIG210.04	Chain
6	M/MIG210.05	Gas Bottle Support
7	M/MIG210.06	Back Panel
8	M/MIG210.07	Rubber Support
9	M/MIG210.08	Top Panel
10	M/MIG210.09A	Hinge (Two Screw Fixing)
11	FN8.S	Flange Nut Serrated M8 Zinc
12	M/MIG250.75	Fan
13	M/MIG210.13	Inner Panel
14	M/MIG210.14	Resistance
15	M/MIG210.15	Relay
16	M/MIG210.16	Spindle For Wire Reel
17	SS820.S	Hex Head Set Screw M8 X 20 Zinc
18	SN10.S	Steel Nut M10 Zinc
19	M/MIG250.53	Plastic Knob

Item	Part No.	Description
20	M/MIG250.54	Spool Holder
21	M/MIG250.55	Spring Dia 30.1mm
22	HHB1080.S	Hex Head Bolt M10 x 80mm
23	SMIG275.52	Wire Feeder Roller 0.6-0.8mm
24	HHB10120.S	Hex Head Bolt M10 x 120mm
25	M/MIG250.60	Wire Feed Motor (Internal 24v)
26	M/MIG210.26	Wire Feed Support
27	M/MIG190.27	Hex Full Nut M8 Brass
28	RW825.S	Repair Washer M8 X 25 Zinc
29	M/MIG250.36	Insulating Washer
30	M/MIG210.30	Rubber Ring
31	M/MIG250.38	Insulating Washer
32	RW825.S	Repair Washer M8 X 25 Zinc
33	M/MIG190.33	Bolt M8x55
34	M/MIG210.34	Capacitor Bracket
35	M/MIG250.76	Capacitor
36	M/MIG210.36	Wire Feed PCB
37	MMIG190.V3-37	Side Panel, Right
38	M/MIG250.73	Latch

NOTE: It is our policy to continually improve products and as such we reserve the right to alter data, specifications and component parts without prior notice. There may be alternative versions of this product, please contact us should you require this information.

IMPORTANT: No liability is accepted for incorrect use of product. Spare parts must be fitted by a competent person

WARRANTY: Guarantee is 12 months from purchase date, proof of which will be required for any claim.



Parts Information:
**Professional Gas/No-Gas MIG Welder 190A
with Euro Torch
Model No: MIGHTYMIG190.V3**

Item	Part No.	Description
39	M/MIG190.39	Filter Reactor
40	M/MIG190.40	Transformer
41	M/MIG190.41	Transformer Support
42	M/MIG190.42	Rectifier Support
43	M/MIG190.43	Overload Cut Out Switch
44	M/MIG210.44	Bottom Panel
45	M/MIG250.06	Wheel, Swivel Castor, 4 Bolt (D:75 W:30 B:10 H:115)
46	M/MIG210.46	Thermal Cut Out Switch
47	M/MIG210.47	Axle Bracket
48	M/MIG250.02	Cotter Pin 3 x 40
49	FWM20.S	Flat Washer M20
50	M/MIG250.04	Wheel, Fixed (D:200 W:50 B:19)
51	M/MIG250.49	Axle
52	M/MIG250.17	Handle
53	M/MIG250.13	Handle Support (Right)

Item	Part No.	Description
54	M/MIG250.11	Torch Holder Assembly
55	M/MIG250.20	Speed Control Knob
56	M/MIG210.56	Overload Indicator Light, 24v, 24ma
57	M/MIG250.12	Switch, On/Off [Illuminated Rocker (16a/250V)]
58	M-MIG210V2.58	Euro Welding Torch 3mtr - Ergo 15.2
59	M/MIG210.59	Clamp (Earth)
60	M/MIG210.60	Earth Cable
61	M/MIG210.61	Cable Grip
62	M/MIG210.62	Line Cable
63	M/MIG190.63	Voltage Control Knob
64	M/MIG190.64	Cable Tip
65	MMIG190.V3-65	Front Panel
66	M/MIG250.16	Handle Support (Left)
67	M/MIG250.23	Switch, Rotary Voltage Control. C/w Knob (EN60947-3)

NOTE: It is our policy to continually improve products and as such we reserve the right to alter data, specifications and component parts without prior notice. There may be alternative versions of this product, please contact us should you require this information.

IMPORTANT: No liability is accepted for incorrect use of product. Spare parts must be fitted by a competent person

WARRANTY: Guarantee is 12 months from purchase date, proof of which will be required for any claim.

Sealey Group, Kempson Way, Suffolk Business Park, Bury St Edmunds, Suffolk. IP32 7AR



01284 757500



01284 703534



sales@sealey.co.uk



www.sealey.co.uk