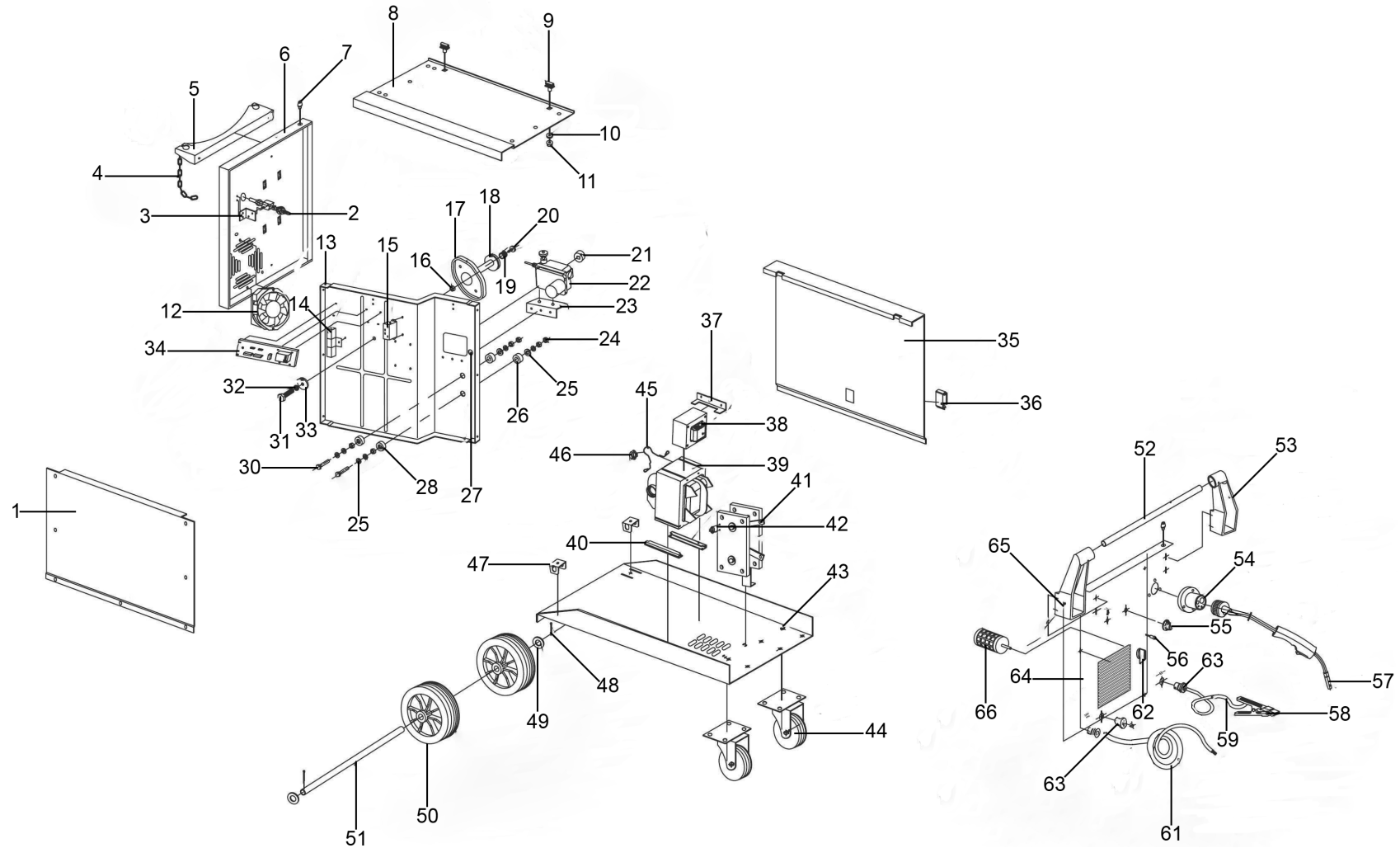




Parts Information:
Professional Gas/No-Gas MIG Welder 170Amp with Euro Torch
Model No: MIGHTYMIG170



NOTE: It is our policy to continually improve products and as such we reserve the right to alter data, specifications and component parts without prior notice.

There may be alternative versions of this product, please contact us should you require this information.

IMPORTANT: No liability is accepted for incorrect use of product. Spare parts must be fitted by a competent person

WARRANTY: Guarantee is 12 months from purchase date, proof of which will be required for any claim.

Sealey Group, Kempson Way, Suffolk Business Park, Bury St Edmunds, Suffolk. IP32 7AR



01284 757500



01284 703534



sales@sealey.co.uk



www.sealey.co.uk



Parts Information:
**Professional Gas/No-Gas MIG Welder
 170Amp with Euro Torch
 Model No: MIGHTYMIG170**

Item	Part No.	Description
1	M/MIG210.01	Side Panel
2	M/MIG250.66	Valve Assembly
3	M/MIG210.03	Valve Bracket
4	M/MIG210.04	Chain
5	M/MIG210.05	Gas Bottle Support
6	M/MIG210.06	Back Panel
7	M/MIG210.07	Rubber Support
8	M/MIG210.08	Top Panel
9	M/MIG210.09	Hinge
10	M/MIG210.10	Rubber Washer
11	FN8.S	Flange Nut Serrated M8
12	M/MIG250.75	Fan
13	M/MIG170.13	Inner Panel
14	M/MIG210.14	Resistance
15	M/MIG170.15	Relay
16	SN10.S	Steel Nut M10
17	M/MIG170.17	Spindle, Wire Reel
18	M/MIG170.18	Knob, A
19	M/MIG170.19	Spring
20	M/MIG170.20	Knob, B
21	SMIG275.52	Wire Feeder Roller
22	M/MIG250.60	Wire Feed Motor
23	M/MIG210.26	Wire Feed Support
24	SN8.S	Steel Nut M8
25	RW825.S	Repair Washer M8 x 25mm
26	M/MIG250.36	Insulating Washer
27	M/MIG210.30	Rubber Ring
28	M/MIG250.38	Insulating Washer
30	M/MIG190.33	Bolt M8 x 55mm
31	SS1055.S	Hex Head Set Screw M10 x 55mm
32	SWM10.SB	Spring Washer M10, Black
33	FWM10.S	Flat Washer M10
34	M/MIG170.34	PCB, Wire Feed
35	M/MIG210.37	Access Panel
36	M/MIG250.73	Latch
37	M/MIG170.37	Filter Bracket
38	M/MIG170.38	Filter Reactor
39	M/MIG170.39	Transformer
40	M/MIG170.40	Transformer Support

Item	Part No.	Description
41	M/MIG170.41	Rectifier
42	M/MIG170.42	Cut Out Switch, Overload
43	M/MIG210.44	Bottom Panel
44	M/MIG250.06	Wheel, Swivel Castor
45	M/MIG170.45	Bracket, Switch
46	M/MIG170.46	Switch, Thermal Cut Out
47	M/MIG210.47	Axle Bracket
48	M/MIG250.02	Cotter Pin
49	FWM20.S	Flat Washer M20
50	M/MIG250.04	Wheel, Fixed
51	M/MIG250.49	Axle
52	M/MIG250.17	Handle
53	M/MIG250.13	Handle Support, Right
54	M/MIG250.11	Torch Holder Assembly
55	M/MIG250.20	Speed Control Knob
56	M/MIG210.56	Overload Indicator Light
57	M/MIG170.57	Mig Torch
58	M/MIG210.59	Clamp, Earth
59	M/MIG210.60	Earth Cable
61	M/MIG170.61	Line Cable
62	M/MIG210.63	Voltage Control Knob
63	M/MIG170.63	Cable Tip
64	M/MIG170.64	Front Panel
65	M/MIG250.16	Handle Support, Left
66	M/MIG170.66	Switch, Rotary (c/w Knob)
--	M/MIG210.09A	Hinge (w/fittings) (Not Shown)
--	M/MIG210.36	PCB, Wire Feed (Not Shown)
--	TG100/1	Flux Cored MIG Wire 0.9kg (Not Shown)
--	TG100/4	Flux Cored MIG Wire 4.5kg (Not Shown)
--	REG/MT	MIG Gas Regulator (2 Gauges) (Not Shown)
--	331/01503215	Diffuser, Gas (Not Shown)
--	120/722319	Spring, Nozzle (Not Shown)
--	MIG956	Contact Tip 0.6mm (Pack of 5) (Not Shown)
--	MIG955	Conical Nozzle (Pack of 3) (Not Shown)
--	M/MIG250.22	Potentiometer, Wire Feed (Not Shown)
--	M/MIG170.67	Washer, Round (Not Shown)
--	M/MIG170.68	Washer, Rectangular (Not Shown)
--	MIG/GH	Hose, Black Nylon Gas (Not Shown)

NOTE: It is our policy to continually improve products and as such we reserve the right to alter data, specifications and component parts without prior notice. There may be alternative versions of this product, please contact us should you require this information.

IMPORTANT: No liability is accepted for incorrect use of product. Spare parts must be fitted by a competent person

WARRANTY: Guarantee is 12 months from purchase date, proof of which will be required for any claim.

Sealey Group, Kempson Way, Suffolk Business Park, Bury St Edmunds, Suffolk. IP32 7AR



01284 757500



01284 703534



sales@sealey.co.uk



www.sealey.co.uk