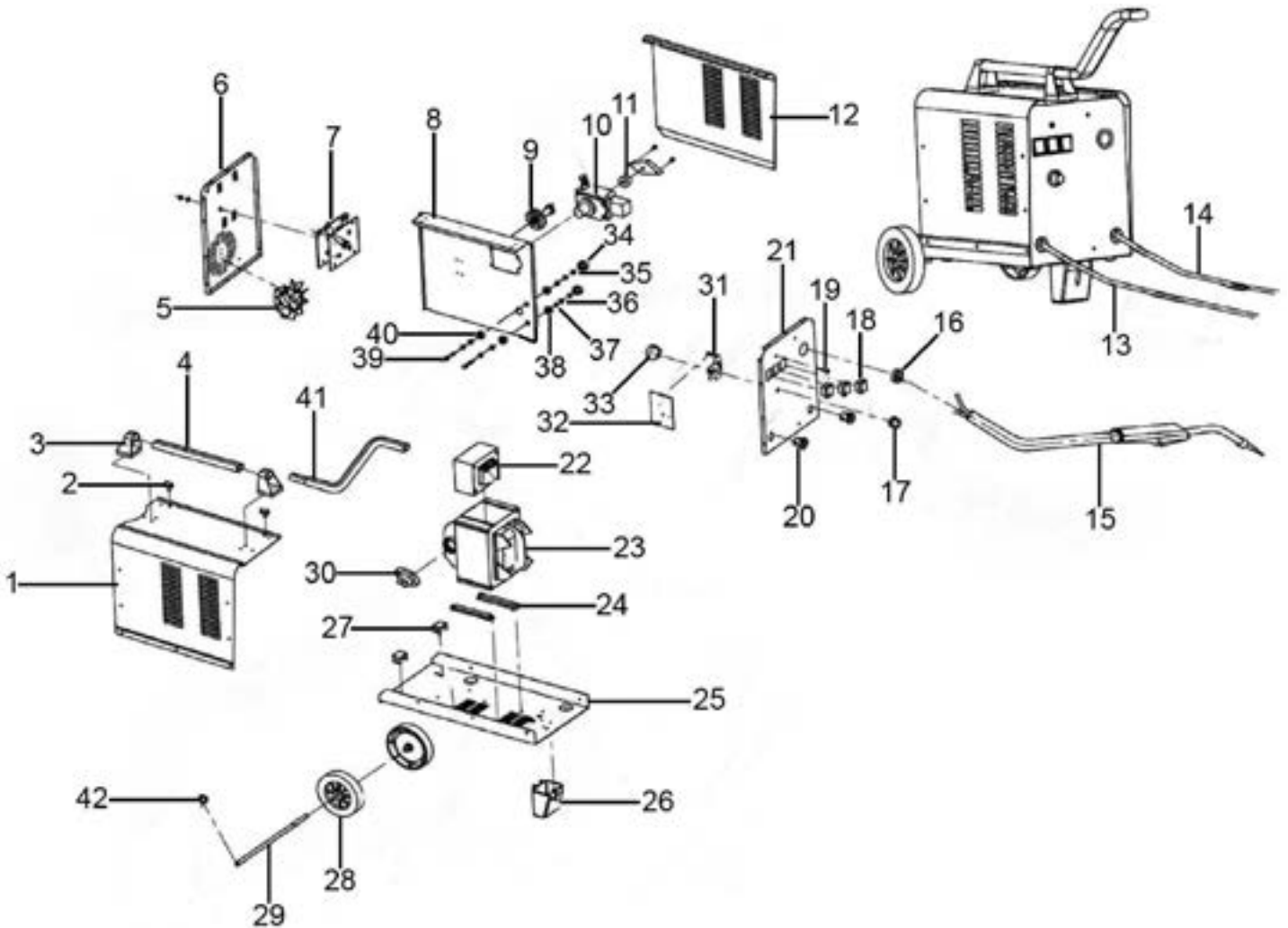


Parts Information:  
**Professional Gas/No-Gas MIG Welder 150A  
 230V**  
**Model No: MIGHTYMIG150.V2**



Item	Part No.	Description
1	MMIG150.V2-01	Side Panel, Left
2	M/MIG210.09	Hinge (Nut & Washer Fitting)
2	M/MIG210.09A	Hinge (Two Screw Fixing)
3	M/MIG150.03	Handle Socket
4	M/MIG150.04	Handle
5	M/MIG150.05	Fan
6	M/MIG150.06	Back Panel
7	M/MIG150.07	Rectifier
8	M/MIG150.08	Middle Panel
9	M/MIG150.09	Reel Holder
10	M/MIG150.10	Wire Feed Unit
11	M/MIG150.11	Wire Feed Roller
12	MMIG150.V2-12	Side Panel, Right
13	MC3CX1.5	Mains Cable Blk, 3 Core, 1.5mm <sup>2</sup>
14	M/MIG150.14	Earth Cable With Clamp (l:2m d:8mm)

Item	Part No.	Description
15	M/MIG150.15	Mig Torch
16	M/MIG150.16	Cover
17	M/MIG250.20	Speed Control Knob
18	M/MIG150.18	Switch, Rocker (16a/250v)
19	M/MIG150.19	Overload Indicator
20	M/MIG170.63	Cable Tip
21	MMIG150.V2-21	Front Panel
22	M/MIG150.22	Filter Reactor
23	M/MIG150.23	Main Transformer
24	M/MIG150.24	Transformer Bracket
25	M/MIG150.25	Bottom Plate
26	M/MIG150.26	Foot
27	M/MIG150.27	Axle Bracket
28	M/MIG150.28	Wheel, Fixed Plastic (D:125 W:25 B:10)
29	M/MIG150.29	Axle

**NOTE:** It is our policy to continually improve products and as such we reserve the right to alter data, specifications and component parts without prior notice. There may be alternative versions of this product, please contact us should you require this information.

**IMPORTANT:** No liability is accepted for incorrect use of product. Spare parts must be fitted by a competent person

**WARRANTY:** Guarantee is 12 months from purchase date, proof of which will be required for any claim.



Parts Information:  
Product description if required  
Model No: XXXXX

Item	Part No.	Description
30	M/MIG150.30	Temperature control
31	M/MIG150.31	Control Circuit Board Bracket
32	M/MIG150.32	Control Circuit Board
33	M/MIG150.33	Potentiometer
34	M/MIG150.34	Knob
35	M/MIG150.35	Nut M6 Brass
36	SWM6.SB	Spring Washer M6 Black
37	RW619.S	Repair Washer M6 X 19 Zinc
38	M/MIG150.38	Insulating Washer
39	M/MIG150.39	Screw M6 x 35
40	M/MIG150.40	Insulating Washer
41	M/MIG150.41	Handle Extension
42	M/MIG150.42	E-Clip 7.8mm

Item	Part No.	Description
--	TG100/1	Flux Cored MIG Wire 0.9kg (Not Shown)
--	TG100/2	Contact Tip 1mm (Not Shown)
--	DAS150TV3-36	Rd Head S/T Screw M4 X 12 Black (Not Shown)
--	DAS150TV3-42	Rd Head S/T Screw M4 X 20 (Not Shown)
--	M/MIG100.07	Switch, Illuminated On/Off Rocker (Not Shown)
--	M/MIG150.43	Guide Hose For Liner (Not Shown)
--	MIG/GH	Hose, Gas Per Metre (5mm Id Black Nylon Hose) (Not Shown)
--	SMIG180.V3-43	Gas Hose 6mm x 8mm x 1040mm (Not Shown)
--	SMIG130.08	Belt (Not Shown)
--	M/MIG150.STR	Tank Strap (Not Shown)
--	M/MIG100.24	Reel Spring Dia 15.8mm (Not Shown)
--	SN6.SW	Wing Nut M6 Zinc (Not Shown)

**NOTE:** It is our policy to continually improve products and as such we reserve the right to alter data, specifications and component parts without prior notice. There may be alternative versions of this product, please contact us should you require this information.

**IMPORTANT:** No liability is accepted for incorrect use of product. Spare parts must be fitted by a competent person

**WARRANTY:** Guarantee is 12 months from purchase date, proof of which will be required for any claim.

Sealey Group, Kempson Way, Suffolk Business Park, Bury St Edmunds, Suffolk. IP32 7AR



01284 757500



01284 703534



sales@sealey.co.uk



www.sealey.co.uk