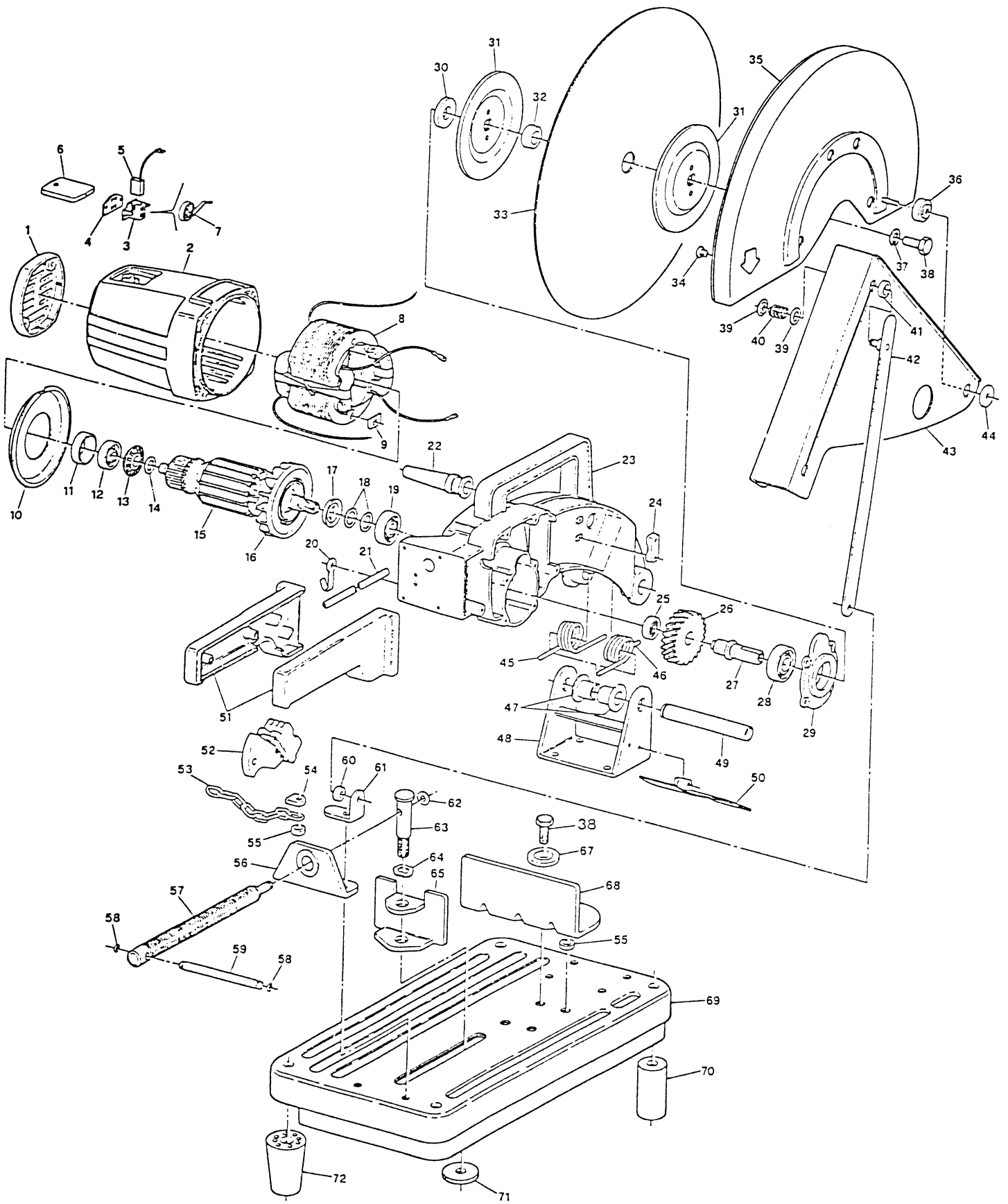


# MG314 Abrasive Cut-Off Saw



# MG314S ABRASIVE CUT-OFF SAW

Fig.	Part Number	Description	Fig.	Part Number	Description
1	507 00 57.0	Motor Housing Cover	70	507 00 93.0	Foot (rear)
2	209 00 58.0	Motor Housing	71	508 00 35.0	Washer
3	209 00 99.0	Brush Holder	72	507 00 67.0	Foot (front)
4	210 00 71.2	Insulation Plate	-	217 00 55.0	Pin Spanner
5	738 00 90.0	Carbon Brush			
6	210 00 54.0	Brush Cover			
7	210 00 81.0	Brush Spring			
8	477 00 00.0	Field Coil			
9	209 00 59.0	Lock Tab			
10	507 00 75.0	Baffle Plate			
11	237 00 71.0	Bearing Cup			
12	B/6200Z	Bearing 6200Z			
13	210 80 50.0	Insulation Spacer			
14	209 80 51.0	Insulation Washer			
15	824 00 00.0	Armature			
16	210 81 00.0	Fan			
17	209 80 50.0	Plastic Spacer			
18	306 00 51.0	Washer			
19	B/6202Z	Bearing 6202Z			
20	507 00 60.0	Lock Down Hook			
21	507 00 91.0	Insulation Sleeve			
22	218 00 82.1	Cable Sleeve			
23	507 00 50.2	Casting			
24	215 00 79.0	Cable Clamp			
25	B/629 Z	Bearing 629Z			
26	507 00 72.0	Gear			
27	507 00 71.0	Spindle			
28	B/6203Z	Bearing 6203Z			
29	507 00 62.1	Gear Box Cover			
30	507 00 69.0	Spacer			
31	507 00 56.0	Flange			
32	507 00 70.0	Locating Bush			
33	-	Abrasive Disc			
34	507 00 22.0	Cap			
35	507 51 00.1	Main Guard			
36	507 00 13.0	Spacer			
37	122 00 10.0	Spring Washer			
38	112 10 25.0	Bolt			
39	507 00 16.0	Cup Washer			
40	507 00 58.0	Spring			
41	507 00 82.0	Spacer			
42	507 00 99.0	Guard Bar			
43	507 00 59.1	Moving Guard			
44	503 00 46.0	Washer			
45	507 00 81.0	Return Spring			
46	507 00 80.0	Return Spring			
47	507 00 68.0	Plastic Bush			
48	507 00 51.0	Pivot Bracket			
49	507 00 64.0	Pivot Pin			
50	507 00 54.0	Spark Guard			
51	507 00 98.0	Handle			
52	507 00 79.0	Switch			
53	507 00 83.0	Lock Down Chain			
54	507 00 84.0	Chain Block			
55	507 00 85.0	Spacer			
56	507 56 00.0	Vice Bracket			
57	507 00 73.2	Vice Shaft			
58	508 00 44.0	Snap Ring			
59	507 00 74.0	Vice Bar			
60	507 00 23.0	Spacer			
61	507 00 14.0	Bracket			
62	507 00 19.0	Washer			
63	507 00 63.2	Pin			
64	507 00 18.0	Spring Washer			
65	507 00 53.1	Vice Jaw			
67	507 00 95.0	Washer			
68	507 00 52.0	Vice Jaw (rear)			
69	507 50 00.1	Base			

Original Date:	3-12-92
Issue Date:	22-12-92
Version Number:	0
Date Modified:	



**JACK SEALEY LTD**  
 KEMPSON WAY, SUFFOLK BUSINESS PARK  
 BURY ST EDMUNDS, SUFFOLK, IP32 7AR  
 TEL: 01284 757500 FAX: 01284 703534