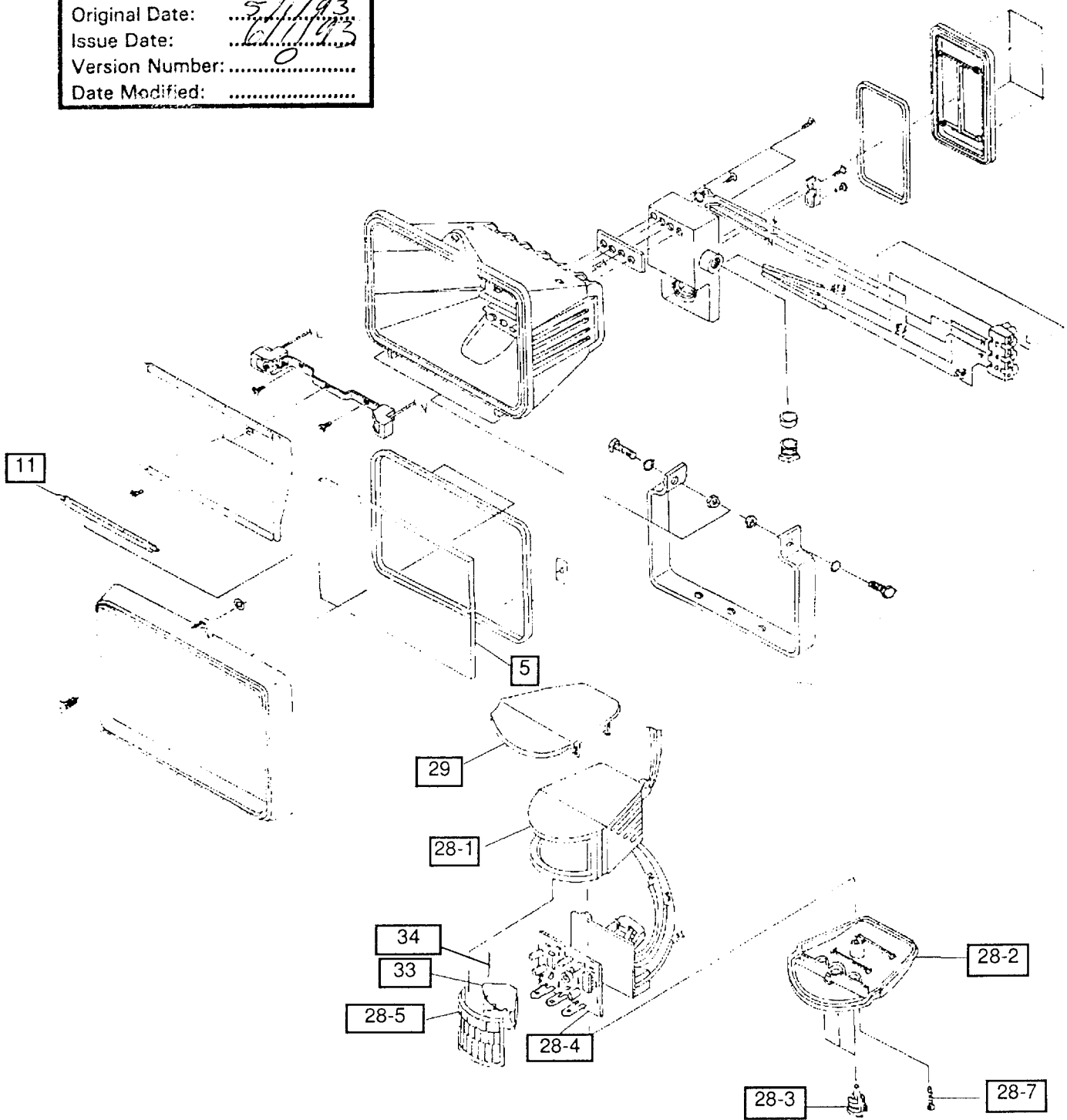


MD520 HALOGEN FLOODLIGHT WITH INFRARED MOTION SENSOR

Original Date: *5/1/93*
 Issue Date: *6/1/93*
 Version Number:
 Date Modified:



MD520/05 LENS
 MD520/11 USE ML500/01
 MD520/28-1 UPPER BOX
 MD520/28-2 BASE COVER
 MD520/28-3 ADJUSTING KNOB
 MD520/28-4 P.C.B.
 MD520/28-5 LENS
 MD520/28-7 SCREW

MD520/29 HEAT-RESISTANT PLATE
 MD520/33 REFLECTOR
 MD20/34 PIN

