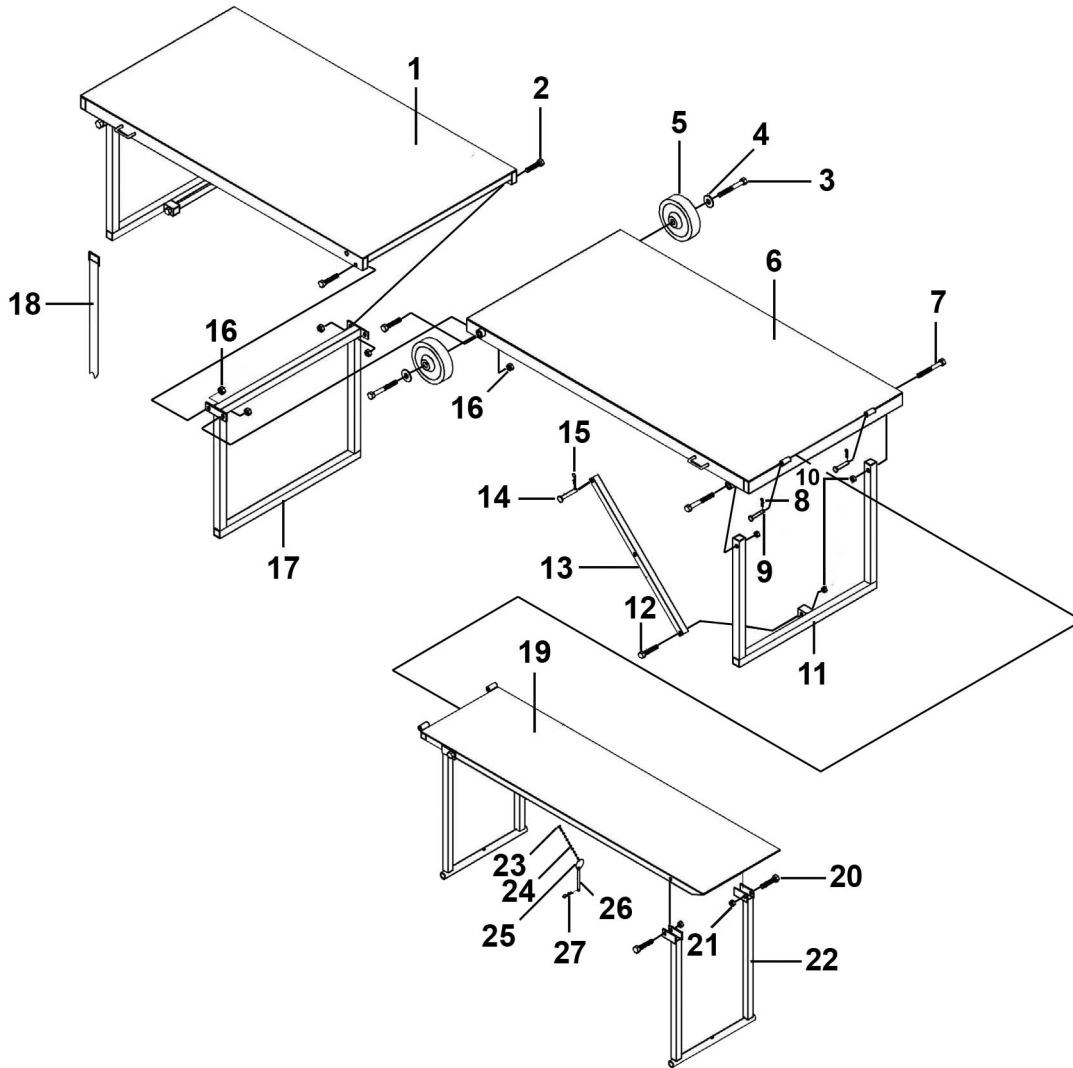


Parts Information:
Motorcycle Portable Folding Workbench
360kg Capacity
Model No: MCW360.V2



Item	Part No.	Description
1	MCW360.01	Bench, Front
2	SS1245.S	Hex Head Set Screw M12 X 45 Zinc
3	MCW360.03	Bolt, Turning Wheel
4	FWM12.S	Flat Washer M12 Zinc
5	MCW360.V2-05	Fixed Plastic Wheel 7"
6	MCW360.06	Bench, Rear
7	HHB1275.S	Hex Head Bolt M12 X 75mm
8	MCW360.08	R-Clip 2.6 X 2mm
9	MCW360.09	Pin, Ramp
10	MCW360.10	Nut
11	MCW360.11	Base Foot
12	HHB1060.S	Hex Head Bolt M10 X 60mm
13	MCW360.13	Upright Support
14	MCW360.14	Pin, Upright Support

Item	Part No.	Description
15	MCW360.15	R-Clip 3 X 2mm
16	MCW360.16	Nut
17	MCW360.17	Base Foot (Middle)
18	MCW360.18	Strap
19	MCW360.19	Ramp
20	SS830.S	Hex Head Set Screw M8 X 30 Zinc
21	MCW360.21	Nut
22	MCW360.22	Ramp Foot
23	MCW360.23	Oval Pin
24	MCW360.24	Chain
25	MCW360.25	Connect Ring
26	MCW360.26	Chain Pin
27	MCW360.27	R-Clip 3 X 2mm

NOTE: It is our policy to continually improve products and as such we reserve the right to alter data, specifications and component parts without prior notice. There may be alternative versions of this product, please contact us should you require this information.

IMPORTANT: No liability is accepted for incorrect use of product. Spare parts must be fitted by a competent person

WARRANTY: Guarantee is 12 months from purchase date, proof of which will be required for any claim.