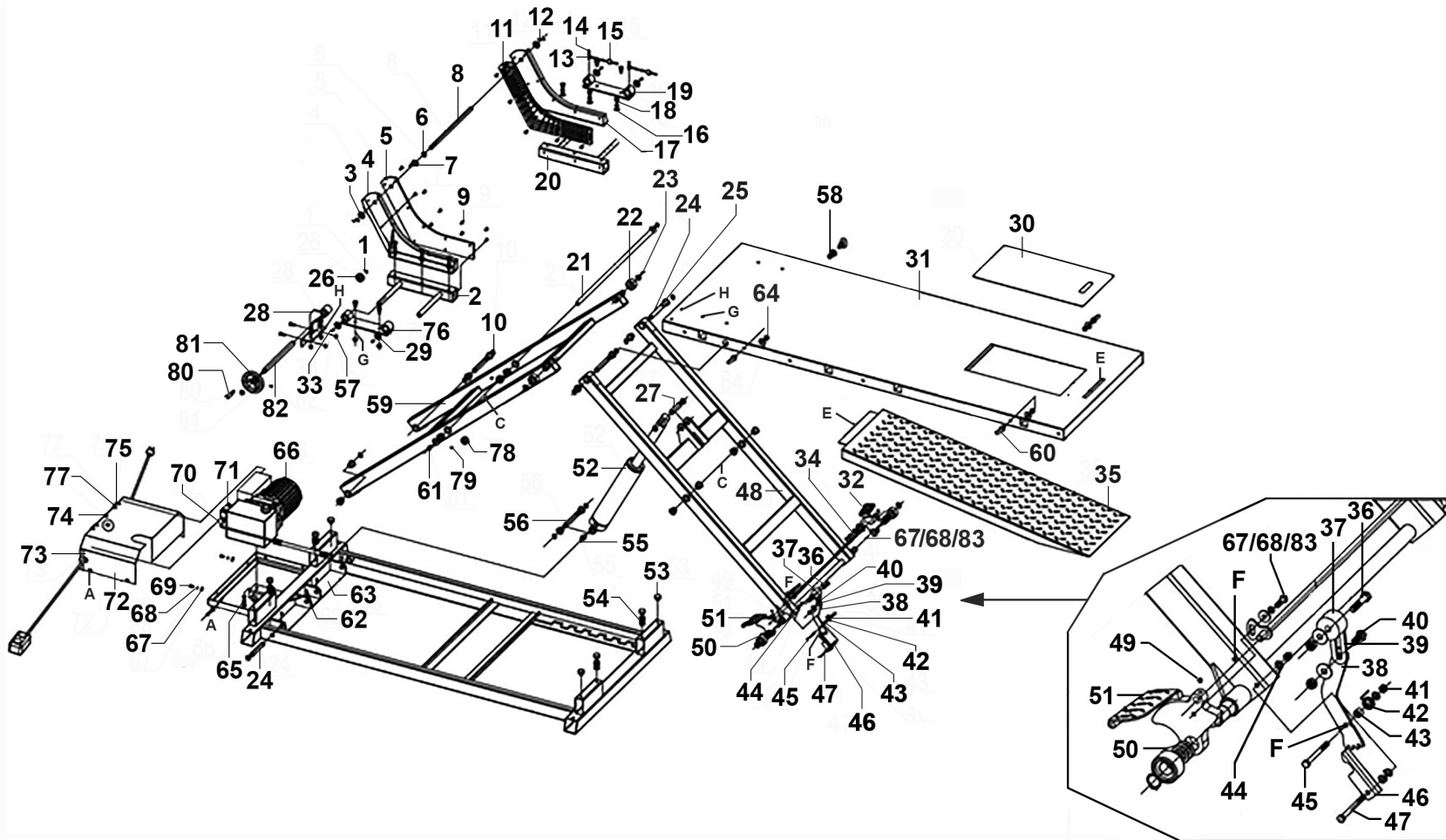




Parts Information:  
Motorcycle Lift 680kg Capacity Heavy-Duty Electro/Hydraulic  
Model No: MC680E.V2



**NOTE:** It is our policy to continually improve products and as such we reserve the right to alter data, specifications and component parts without prior notice.

There may be alternative versions of this product, please contact us should you require this information.

**IMPORTANT:** No liability is accepted for incorrect use of product. Spare parts must be fitted by a competent person

**WARRANTY:** Guarantee is 12 months from purchase date, proof of which will be required for any claim.

Sealey Group, Kempson Way, Suffolk Business Park, Bury St Edmunds, Suffolk. IP32 7AR



01284 757500



01284 703534



sales@sealey.co.uk



www.sealey.co.uk



Parts Information:  
**Motorcycle Lift 680kg Capacity Heavy-Duty Electro/Hydraulic**  
**Model No: MC680E.V2**

Item	Part No.	Description
1	MC680E.01	Circlip For Shaft E10
2	MC680E.02	Sliding Block (A)
3	SWM10.S	Spring Washer M10 Zinc
4	MC680E.04	Wheel Clamp, Right Side
5	MC680E.05	Rubber Pad (A)
6	MC680E.06	Circlip For Shaft E15
7	FWM16.S	Flat Washer M16 Zinc
8	MC680E.08	Wheel Clamp Support Rod
9	MSC616.S	Csk Phillips Machine Screw M6 X 16 Zinc
10	MC680E.10	Circlip For Shaft E17
11	MC680E.11	Rubber Pad (B)
12	MC680E.12	Cotter Pin (3x30)
13	FWM5.S	Flat Washer M5 Zinc
14	SS510.S	Hex Head Set Screw M5 X 10 Zinc
15	MC680E.15	Chain
16	FWM10.S	Flat Washer M10 Zinc
17	MC680E.17	Wheel Clamp, Left Side
18	SS1020.S	Hex Head Set Screw M10 X 20 Zinc
19	MC680E.19	Movable Seat (A)
20	MC680E.20	Sliding Block (B)
21	MC680E.21	Lifting Arm Shaft (Long)
22	MC680E.22	Fixed Wheel (For Lifting Arm)
23	MC680E.23	Circlip For Shaft E20
24	MC680E.24	Connecting Shaft
25	MC680E.25	Oil Nylon (A)
26	MC680E.26	Block
27	MC680E.27	Piston Rod for Joint Shaft
28	MC680E.V2-28	Handwheel Support
29	MC680E.V2-29	Gasket
30	MC680E.30	Removable Cover Plate
31	MC680E.31	Platform
32	MC680E.32	Safety Block, Right
33	SS512.S	Hex Head Set Screw M5 X 12 Zinc
34	MC680E.34	Safety Connecting Rod
35	MC680E.35	Ramp
36	SS840.S	Hex Head Set Screw M8 X 40 Zinc
37	MC680E.37	Plastic Block
38	MC680E.38	Connecting Rod
39	MC680E.39	Adjusting Plate
40	SS820.S	Hex Head Set Screw M8 X 20 Zinc
41	NLN6.S	Nyloc Nut M6 Zinc
42	MC680E.42	Torsion Spring

Item	Part No.	Description
43	MC680E.43	Bushing
44	FWM6.S	Flat Washer M6 Zinc
45	HHB665.S	Hex Head Bolt M6 x 65mm
46	MC680E.46	Movable Arm
47	HHB670.S	Hex Head Bolt M6 x 70mm
48	MC680E.48	Lifting Arm (A)
49	MSP56.S	Machine Screw Pan Head Phillips M5 x 6mm
50	MC680E.50	Adjustable Washer
51	MC680E.51	Safety Block, Left
52	MC680E.52	Pump
53	MC680E.53	Rubber Pad
54	MC680E.V2-54	Large Flat Washer 8mm
55	MC680E.55	Joint
56	MC680E.56	Connecting Shaft
57	NLN8.S	Nyloc Nut M8 Zinc
58	NLN10.S	Nyloc Nut M10 Zinc
59	MC680E.V2-59	Lifting Arm
60	MC680E.60	Eyebolt M10x20
61	SS1020.S	Hex Head Set Screw M10 X 20 Zinc
62	MSP512.S	Machine Screw Pan Head Phillips M5 X 12mm
63	MC680E.63	Base Frame
64	MC680E.V2-64	Large Flat Washer 10mm
65	SS1030.S	Hex Head Set Screw M10 X 30 Zinc
66	MC680E.66	Electro/Hydraulic Lifting System 230V
67	MC680E.V2-67	Large Flat Washer 6mm
68	SWM6.S	Spring Washer M6 Zinc
69	SS612.S	Hex Head Set Screw M6 X 12 Zinc
70	MC680E.70	Metal Hose
71	MC680E.71	Air Switch
72	MC680E.72	Cover for Electro/Hydraulic Lifting System
73	MC680E.73	Cover Plate
74	SS812.S	Hex Head Set Screw M8 X 12 Zinc
75	MC680E.75	Rivet
76	MC680E.76	Movable Seat
77	MC680E.77	Hinge 2"
78	MC680E.78	Reinforcement Ring
79	SS610.S	Hex Head Set Screw M6 X 10 Zinc
80	MC680E.80	Handle For Handwheel
81	MC680E.81	Handwheel
82	MC680E.82	Threaded Rod
83	MC680E.V2-83	Hex Bolt M6x20

**NOTE:** It is our policy to continually improve products and as such we reserve the right to alter data, specifications and component parts without prior notice. There may be alternative versions of this product, please contact us should you require this information.

**IMPORTANT:** No liability is accepted for incorrect use of product. Spare parts must be fitted by a competent person

**WARRANTY:** Guarantee is 12 months from purchase date, proof of which will be required for any claim.

**Sealey Group**, Kempson Way, Suffolk Business Park, Bury St Edmunds, Suffolk. IP32 7AR



01284 757500



01284 703534



sales@sealey.co.uk



www.sealey.co.uk