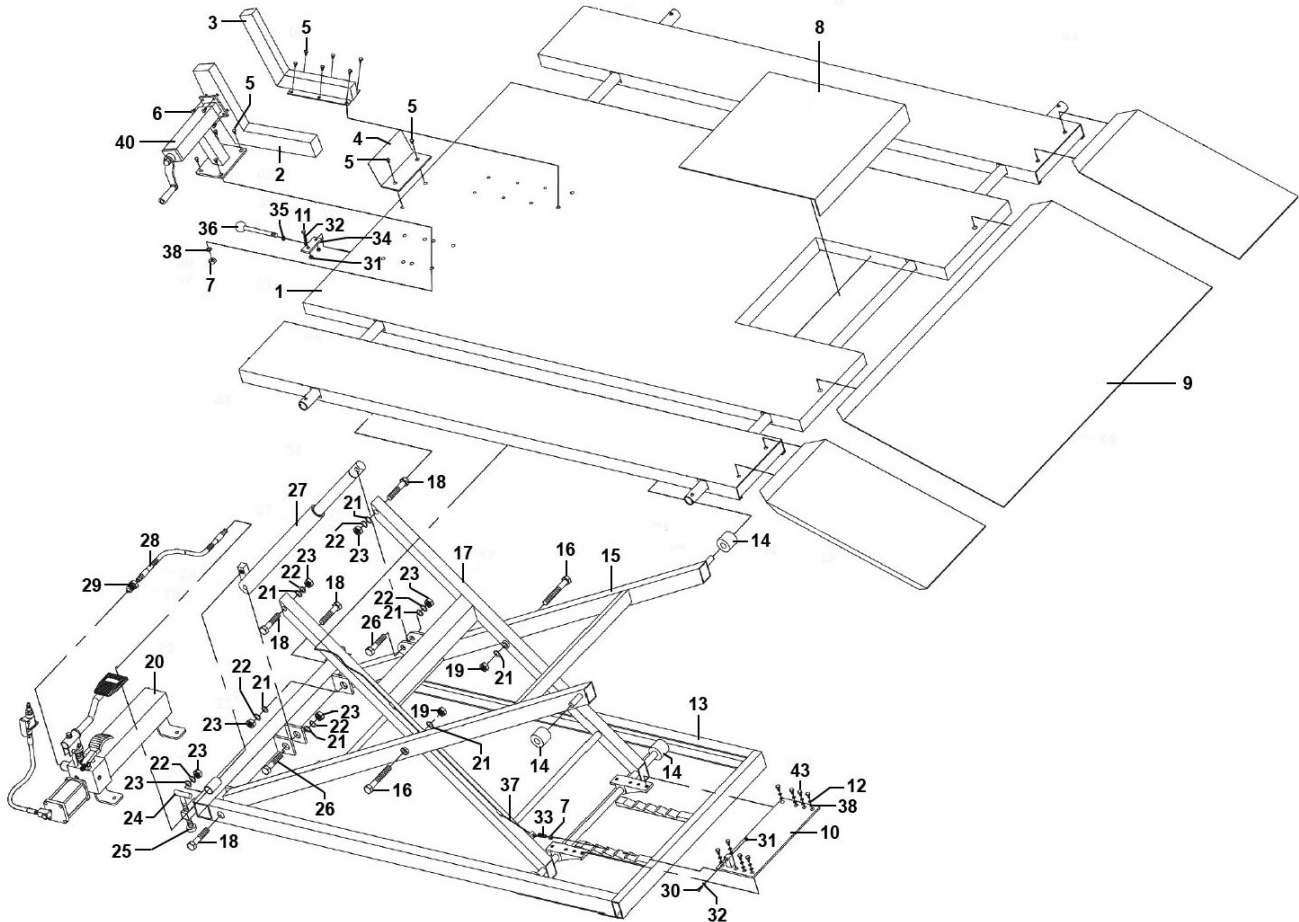


Parts Information:  
**Motorcycle Lift 680kg Capacity Heavy-Duty Air/Hydraulic**  
**Model No: MC680A**



Item	Part No.	Description
1	MC680A.01	Platform
2	MC680A.02	Movable Vice Jaw
3	MC680A.03	Fixed Vice Jaw
4	MC680A.04	Stop Plate
5	MC680A.05	Bolt
6	MC680A.06	Bolt
7	MC680A.07	Nut
8	MC680A.08	Sliding Plate
9	MT680V2-09	Leading Plate
10	MC680A.10	Safety Plate Ass'y
11	MC680A.11	Bolt
12	MC680A.12	Lock Washer
13	MC680A.13	Base Ass'y
14	MC680A.14	Steel Wheel
15	MC680A.15	Lifting Arm (Outer)
16	MC680A.16	Bolt
17	MC680A.17	Lifting Arm (Inner)
18	MC680A.18	Bolt
19	MC680A.19	Lock Nut
20	MT680V4-20	Air/Manual Pump

Item	Part No.	Description
21	MC680A.21	Washer
22	MC680A.22	Lock Washer
23	MC680A.23	Nut
24	MC680A.24	Adjusting Screw
25	MC680A.25	Rotatable Foot
26	MC680A.26	Bolt
27	MT680V2-28	Cylinder
28	MC680A.28	Hydraulic hose 15mm x 1250mm
29	MC680A.29	Hose Connector
30	MC680A.30	Bolt
31	MC680A.31	Lock Nut
32	MC680A.32	Washer
33	MC680A.33	Bolt
34	MC680A.34	Fixing Plate
35	MC680A.35	Nut
36	MT680V4-36	Safety Handle
37	MC680A.37	Safety Wire
38	MC680A.38	Washer
40	MC680A.40	Fixed Vice Jaw
--	MC680A.RK	Repair Kit (Not Shown)

**NOTE:** It is our policy to continually improve products and as such we reserve the right to alter data, specifications and component parts without prior notice. There may be alternative versions of this product, please contact us should you require this information.

**IMPORTANT:** No liability is accepted for incorrect use of product. Spare parts must be fitted by a competent person

**WARRANTY:** Guarantee is 12 months from purchase date, proof of which will be required for any claim.