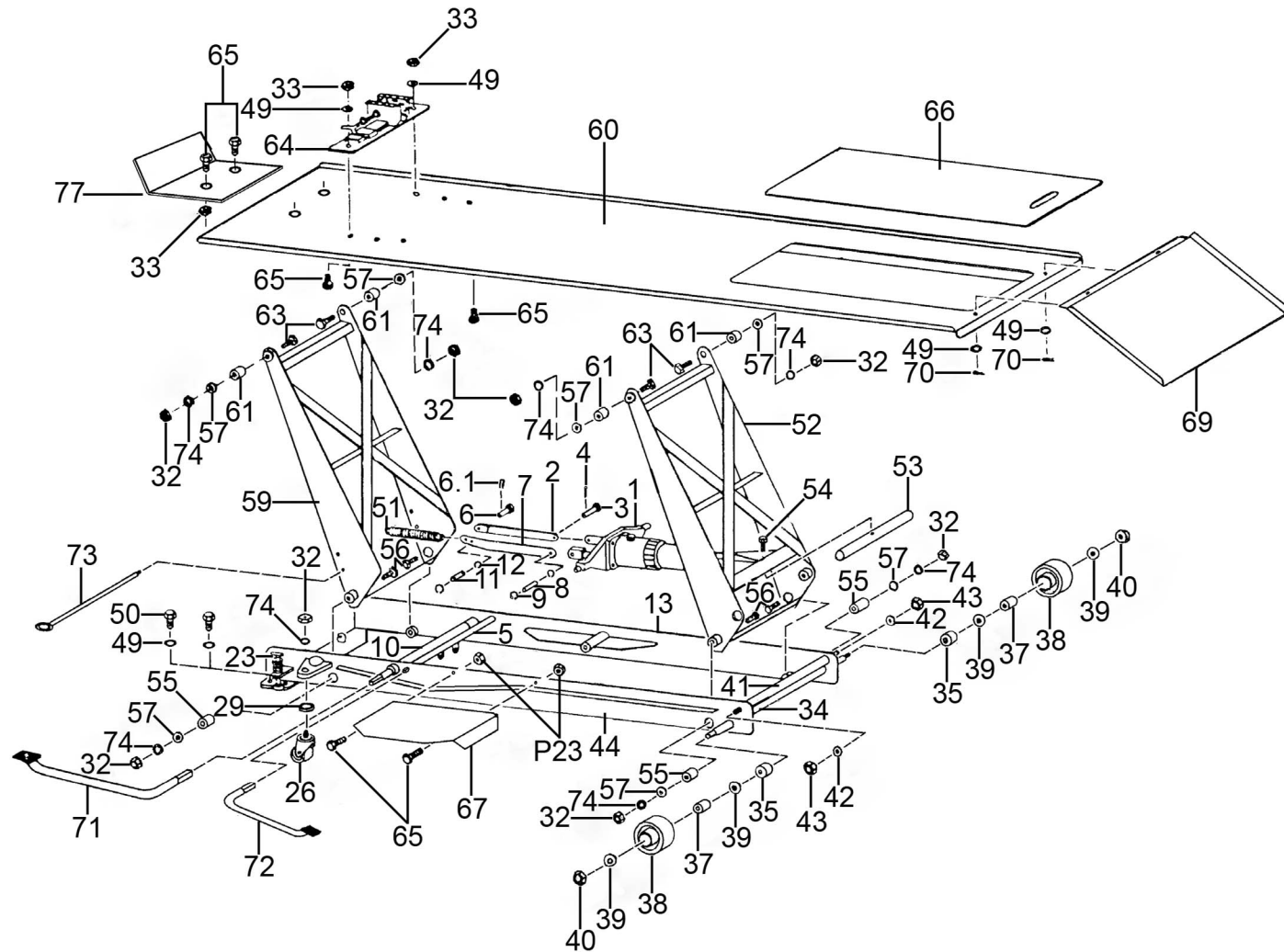




Parts Information:
Motorcycle Lift 400kg Capacity Hydraulic
Model No: MC401



NOTE: It is our policy to continually improve products and as such we reserve the right to alter data, specifications and component parts without prior notice.

There may be alternative versions of this product, please contact us should you require this information.

IMPORTANT: No liability is accepted for incorrect use of product. Spare parts must be fitted by a competent person

WARRANTY: Guarantee is 12 months from purchase date, proof of which will be required for any claim.

Sealey Group, Kempson Way, Suffolk Business Park, Bury St Edmunds, Suffolk. IP32 7AR



01284 757500



01284 703534



sales@sealey.co.uk



www.sealey.co.uk



Parts Information:
Motorcycle Lift 400kg Capacity Hydraulic
Model No: MC401

Item	Part No.	Description
1	MC401/001	Hydraulic Pump Assembly
2	MC401/002	Link
3	MC401/003	Pin
4	MC401/004	Cotter Pin
5	MC401/005	Spindle, Release Valve
6	MC401/006	Pin
6.1	MC401/006-1	Clip
7	MC401/007	Link
8	MC401/008	Pin
9	MC401/009	Snap Ring
10	MC401/010	Spindle, Pump Piston
11	MC401/011	Pin
12	MC401/012	Snap Ring
13	MC401/013A	Frame Assembly, Right
23	MC401/023A	Adjusting Screws Assembly
26	MC401/026A	Castor Fork Assembly
29	MC401/029	Ball Bearing
32	SN12.S	Steel Nut M12
33	SN10.S	Steel Nut M10
34	MC401/034	Front Spindle
35	MC401/035	Spacing Collar
37	MC401/037	Bush, Front Wheel
38	MC401/038	Wheel, Front
39	MC401/039	Washer
40	MC401/040	Half Hex Nut M20 L/H
41	MC401/041	Stop Rod, Lifting Arm
42	MC401/042	Washer
43	SN20.S	Steel Nut M20

Item	Part No.	Description
44	MC401/044A	Frame Assembly, Left
49	FWM10.S	Flat Washer M10
50	SS820.S	Hex Head Set Screw M8 x 20mm
51	MC401/051	Return Spring
52	MC401/052	Lifting Arm, Rear
53	MC401/053	Spindle, Lifting Arm
54	MC401/054	Bolt
55	MC401/055	Bush
56	HHB1270.S	Hex Head Bolt M12 x 70mm
57	FWM12.S	Flat Washer M12
59	MC401/059	Lifting Arm, Front
60	MC401/060	Platform
61	MC401/061	Bush
63	SS1235.S	Hex Head Set Screw M12 x 35mm
64	MC401/064	Vice
65	SS1030.S	Hex Head Set Screw M10 x 30mm
66	MC401/066	Sliding Plate
67	MC401/067	Guarded Plate
P23	SN8.S	Steel Nut M8
69	MC401/069	Leading Plate
70	MC401/070	Cotter Pin
71	MC401/071	Foot Pedal, Lift
72	MC401/072	Foot Pedal, Release
73	MC401/073	Set Spindle
74	SWM12.S	Spring Washer M12
77	MC401/077	Extension Plate
--	MC401/RK	Repair Kit (Not Shown)

NOTE: It is our policy to continually improve products and as such we reserve the right to alter data, specifications and component parts without prior notice. There may be alternative versions of this product, please contact us should you require this information.

IMPORTANT: No liability is accepted for incorrect use of product. Spare parts must be fitted by a competent person

WARRANTY: Guarantee is 12 months from purchase date, proof of which will be required for any claim.

Sealey Group, Kempson Way, Suffolk Business Park, Bury St Edmunds, Suffolk. IP32 7AR



01284 757500



01284 703534



sales@sealey.co.uk



www.sealey.co.uk