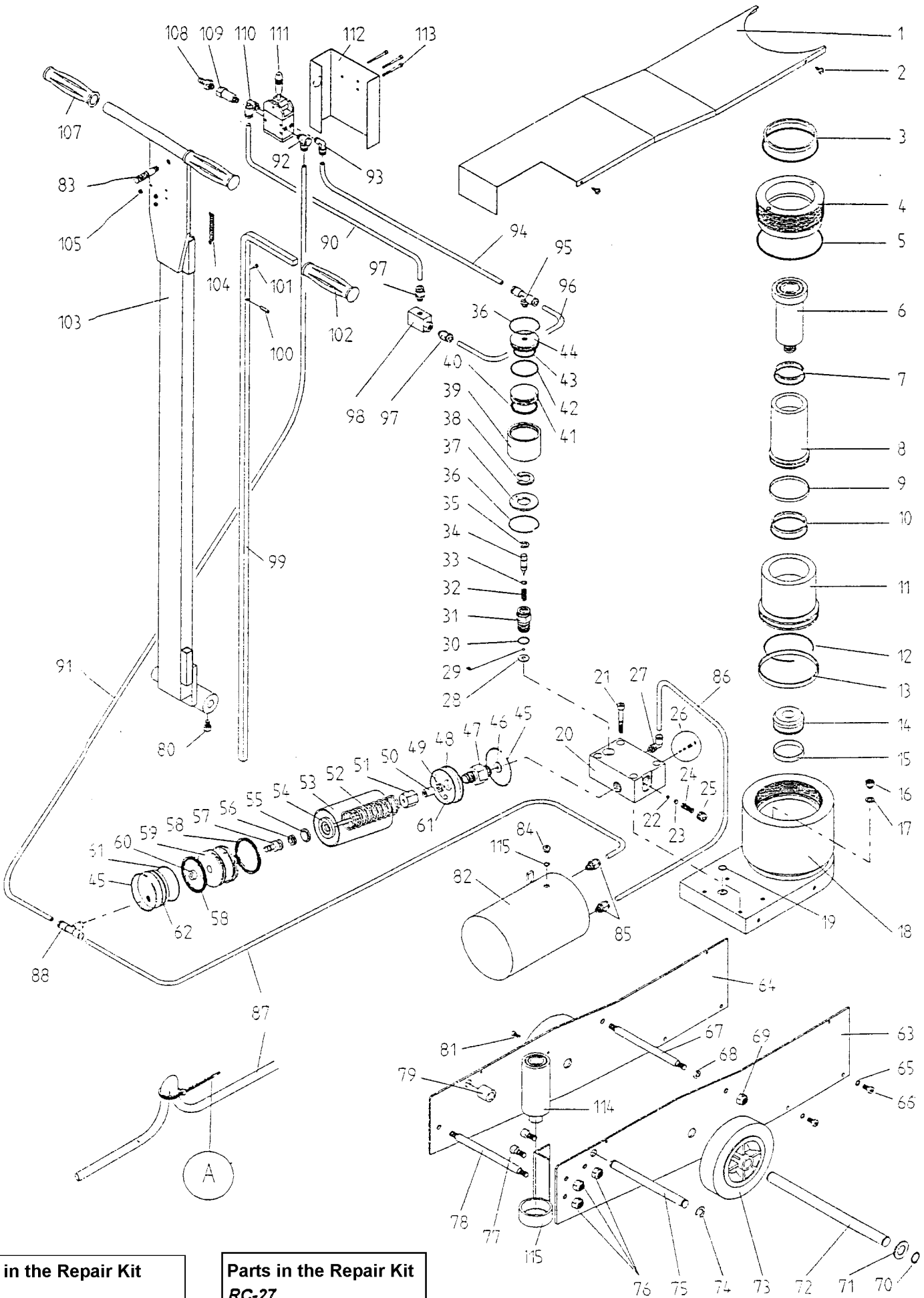


# MAJ20-60

Please prefix diagrams numbers with MAJ10-60



Parts in the Repair Kit  
 RC-2  
 No:- 3/5/9/10/13/15/19/28/  
 30/33/40/42/43

Parts in the Repair Kit  
 RC-27  
 N° : 46/49/56/58/60/61