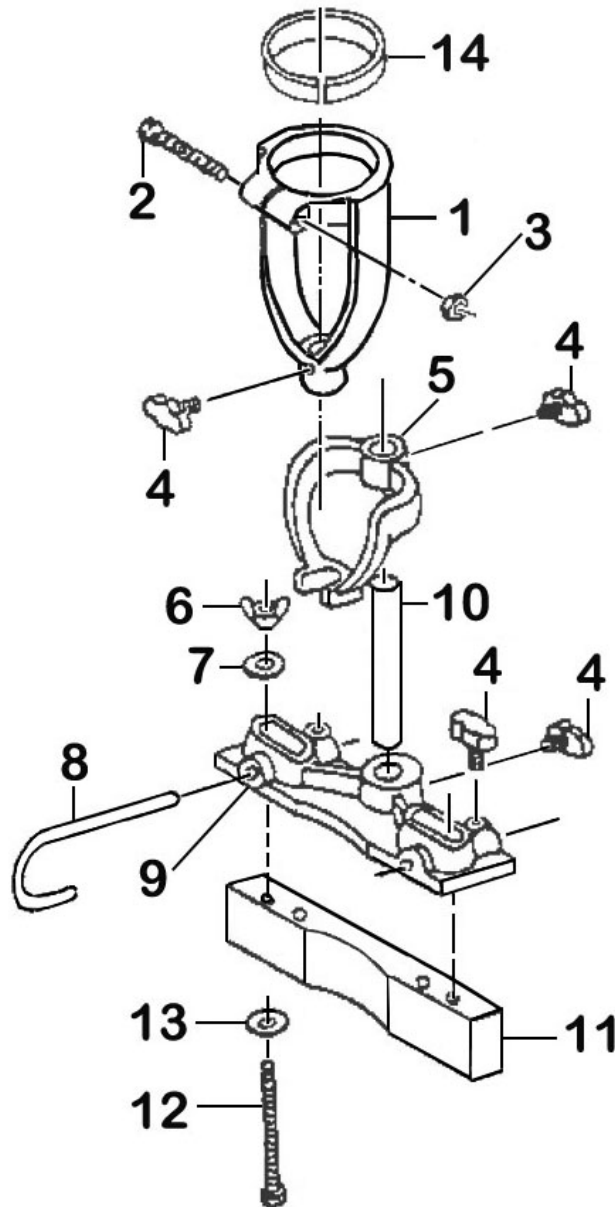


Parts Information:  
**Wood Mortising Attachment 55-65mm  
 with Chisels**  
**Model No: MA10**



| Item | Part No. | Description                       |
|------|----------|-----------------------------------|
| 1    | MA10.01  | Chisel Holder                     |
| 2    | MA10.02  | Bolt                              |
| 3    | SN8.S    | Steel Nut M8 Zinc din934 (single) |
| 4    | MA10.04  | Thumb Screw                       |
| 5    | MA10.05  | Arm                               |
| 6    | MA10.06  | Wing Nut                          |
| 7    | MA10.07  | Washer                            |
| 8    | MA10.08  | Curved Rod                        |
| 9    | MA10.09  | Rod Holder                        |
| 10   | MA10.10  | Steel Rod                         |
| 11   | MA10.11  | Fence                             |

| Item | Part No.     | Description                               |
|------|--------------|---|
| 12   | MA10.12      | Bolt M8x125                               |
| 13   | MA10.13      | Washer                                    |
| 14   | MA10.14      | Reducer (Pack Of 3)                       |
| --   | MA10.15      | Chisel 1/4"                               |
| --   | MA10.16      | Chisel 3/8" (Not Shown)                   |
| --   | MA10.17      | Chisel 1/2" (Not Shown)                   |
| --   | MA10/C-1/4   | 1/4" mortising chisel & drill (Not Shown) |
| --   | SM94/CDS-3/8 | Chisel & drill set 3/8" (Not Shown)       |
| --   | MA10/DB-1/2  | 1/2" mortising drill-bit (Not Shown)      |
| --   | MA10/DB-1/4  | 1/4" mortising drill-bit (Not Shown)      |

**NOTE:** It is our policy to continually improve products and as such we reserve the right to alter data, specifications and component parts without prior notice. There may be alternative versions of this product, please contact us should you require this information.

**IMPORTANT:** No liability is accepted for incorrect use of product. Spare parts must be fitted by a competent person

**WARRANTY:** Guarantee is 12 months from purchase date, proof of which will be required for any claim.