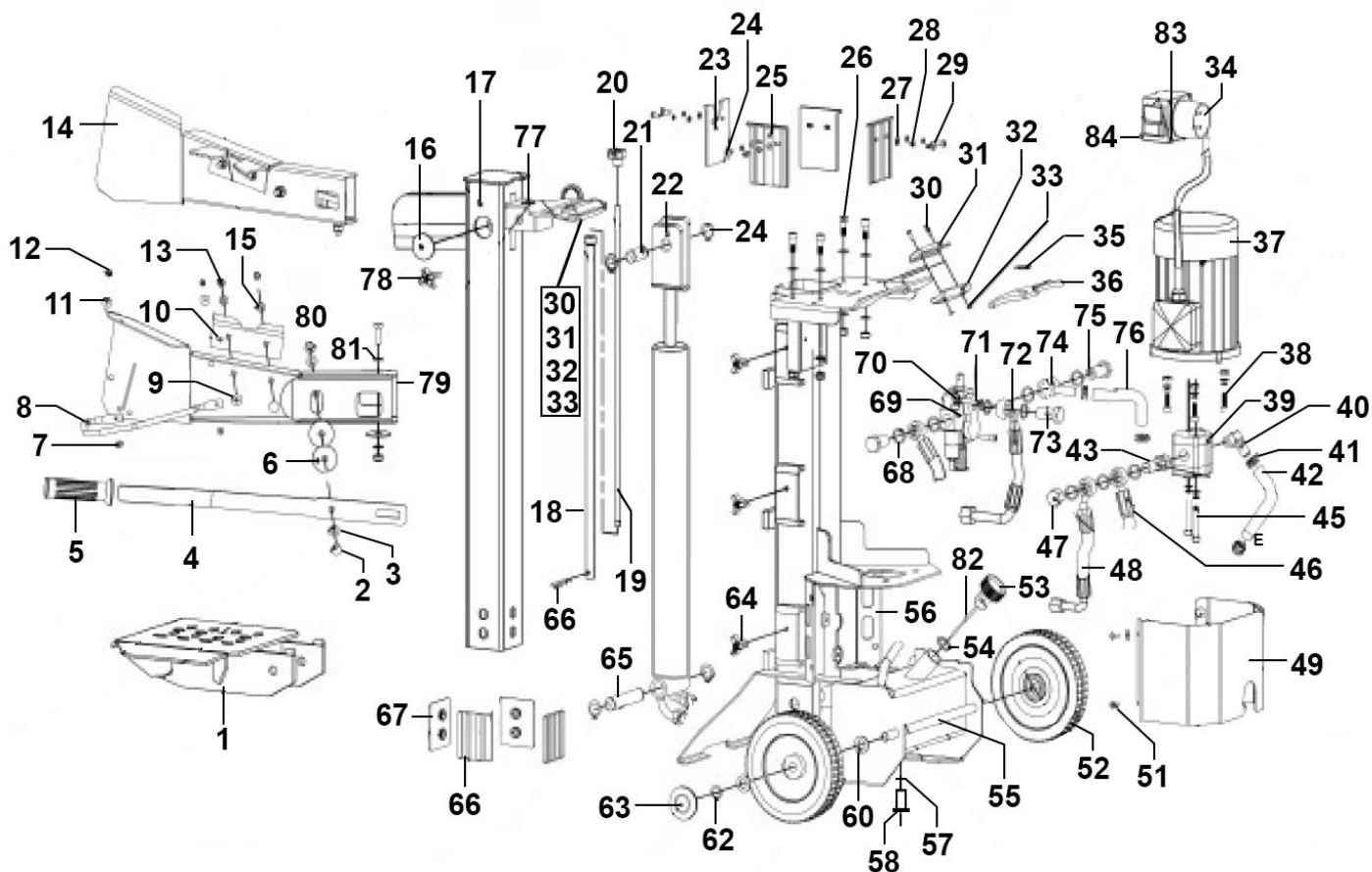


Parts Information:
Log Splitter 5.5tonne 1050mm Capacity
Vertical Type
Model No: LS1050V



Item	Part No.	Description
1	LS1050V.01	Worktable
2	SS1030.S	Hex Head Set Screw M10 X 30 Zinc
3	FWM10.S	Flat Washer M10 Zinc
4	LS1050V.04	Operate Handle
5	LS1050V.05	Lever Handle
6	RW1050.S	Repair Washer M10 X 50 Zinc
7	MSP616.S	Machine Screw Pan Head Phillips M6 X 16mm
8	LS1050V.08	Guard (Circle)
9	CBN816.S	Coach Bolt M8 x 16
10	LS1050V.10	Clamping fork (R/L)
11	RW619.S	Repair Washer M6 X 19 Zinc
12	NLN6.S	Nyloc Nut M6 Zinc
13	NLN8.S	Nyloc Nut M8 Zinc
14	LS1050V.14	Left Guard Ass'y
15	FWM8.S	Flat Washer M8 Zinc
16	LS1050V.16	Round Cover
17	LS1050V.17	Wedge Bracket
18	LS1050V.18	Draw Sleeve

Item	Part No.	Description
19	LS1050V.19	Draw Rod
20	LS1050V.20	Knob
21	LS1050V.21	Short Pin
22	LS1050V.22	Cylinder
23	LS1050V.23	Upper Sliding Plate
24	LS1050V.24	External Circlip 18.3mm ID
25	LS1050V.25	Upper Sliding Plate (G1)
26	SCB1025.SB	Socket Cap Bolt M10 x 25mm Black
27	LS1050V.27	Washer M6
28	SWM6.S	Spring Washer M6 Zinc
29	MSP612.S	Machine Screw Pan Head Phillips M6 X 12mm
30	MSP518.S	Machine Screw Pan Head Phillips M5 x 18mm
31	LS1050V.31	Handle Sleeve (Upper)
32	LS1050V.32	Handle Sleeve (Lower)
33	SN5.S	Steel Nut M5 Zinc
34	LS1050V.34	Switch, On/Off Press Button C/w Housing & Cables
35	FWM18.S	Flat Washer M18 Zinc

NOTE: It is our policy to continually improve products and as such we reserve the right to alter data, specifications and component parts without prior notice. There may be alternative versions of this product, please contact us should you require this information.

IMPORTANT: No liability is accepted for incorrect use of product. Spare parts must be fitted by a competent person

WARRANTY: Guarantee is 12 months from purchase date, proof of which will be required for any claim.



Parts Information:
**Log Splitter 5.5tonne 1050mm Capacity
Vertical Type
Model No: LS1050V**

Item	Part No.	Description
36	LS1050V.36	Lever
37	LS1050V.37	Motor (External 1 Phase 230v 3000w)
38	SCB825.SB	Socket Cap Bolt M8 x 25mm Black
39	LS1050V.39	Oil Pump
40	LS1050V.40	Square Nozzle
41	LS1050V.41	Hose Clamp
42	LS1050V.42	Intake Hose 16mm x 26mm x 230mm
43	LS1050V.43	Connector (T-Shape)
45	LS1050V.45	Screw M8x80
46	LS1050V.46	High Pressure Oil Hose (2)20mm x 270mm
47	LS1050V.47	Nut Capped
48	LS1050V.48	High Pressure Oil Hose 25mm x 340mm
49	LS1050V.49	Pump Guard
51	MSP616.S	Machine Screw Pan Head Phillips M6 X 16mm
52	LS1050V.52	Wheel, Fixed Plastic (D:200 W:50 B:15)
53	LS1050V.53	Cap
54	LS1050V.54	O-Ring, (Ex: 30.46 In: 23.40 Cs: 3.53)
55	LS1050V.55	Wheel Shaft
56	LS1050V.56	Upright
57	LS1050V.57	Washer M16
58	SS1630.S	Hex Head Set Screw M16 X 30 Zinc
60	FWM16.S	Flat Washer M16 Zinc
62	MC4500.P5	External Circlip 14.5mm ID
63	LS1050V.63	Wheel Cover
64	LS1050V.64	Knob

Item	Part No.	Description
65	LS1050V.65	Long Pin
66	LS1050V.66	R-Clip Dia 9.1 x 4.2mm
67	LS1050V.67	Down Sliding Plate
68	LS1050V.68	Dowty Seal M20
69	LS1050V.69	Valve
70	SCB835.SB	Socket Cap Bolt M8x35 Black
71	SWM8.SB	Spring Washer M8 Black
72	LS1050V.72	High Pressure Oil Hose (3)
73	LS1050V.73	Valve Plug
74	LS1050V.74	Valve Injection Nozzle
75	LS1050V.75	Valve Plug
76	LS1050V.76	Oil Return Pipe
77	LS1050V.77	Clamp Sleeve
78	LS1050V.78	Knob M8x35
79	LS1050V.79	Right Guard Ass'y
80	NLN10.S	Nyloc Nut M10 Zinc
81	RW1030.S	Repair Washer M10 X 30 Zinc
82	LS1050V.82	Dipstick
83	MSP460.S	Machine Screw Pan Head Phillips M4 x 60mm
84	NLN4.S	Nyloc Nut M4 Zinc
--	LS1050V.34A	Switch, C/w Socket/Cables (Not Shown)
--	LS1050V.85	Obtuse Wedge (Not Shown)
--	LS1050V.86	Capacitor (Not Shown)
--	LS1050V.MB	Capacitor/Motor Box (Not Shown)
--	LS1050V.87	Upper Sliding Shim (Not Shown)

NOTE: It is our policy to continually improve products and as such we reserve the right to alter data, specifications and component parts without prior notice. There may be alternative versions of this product, please contact us should you require this information.

IMPORTANT: No liability is accepted for incorrect use of product. Spare parts must be fitted by a competent person

WARRANTY: Guarantee is 12 months from purchase date, proof of which will be required for any claim.

Sealey Group, Kempson Way, Suffolk Business Park, Bury St Edmunds, Suffolk. IP32 7AR



01284 757500



01284 703534



sales@sealey.co.uk



www.sealey.co.uk