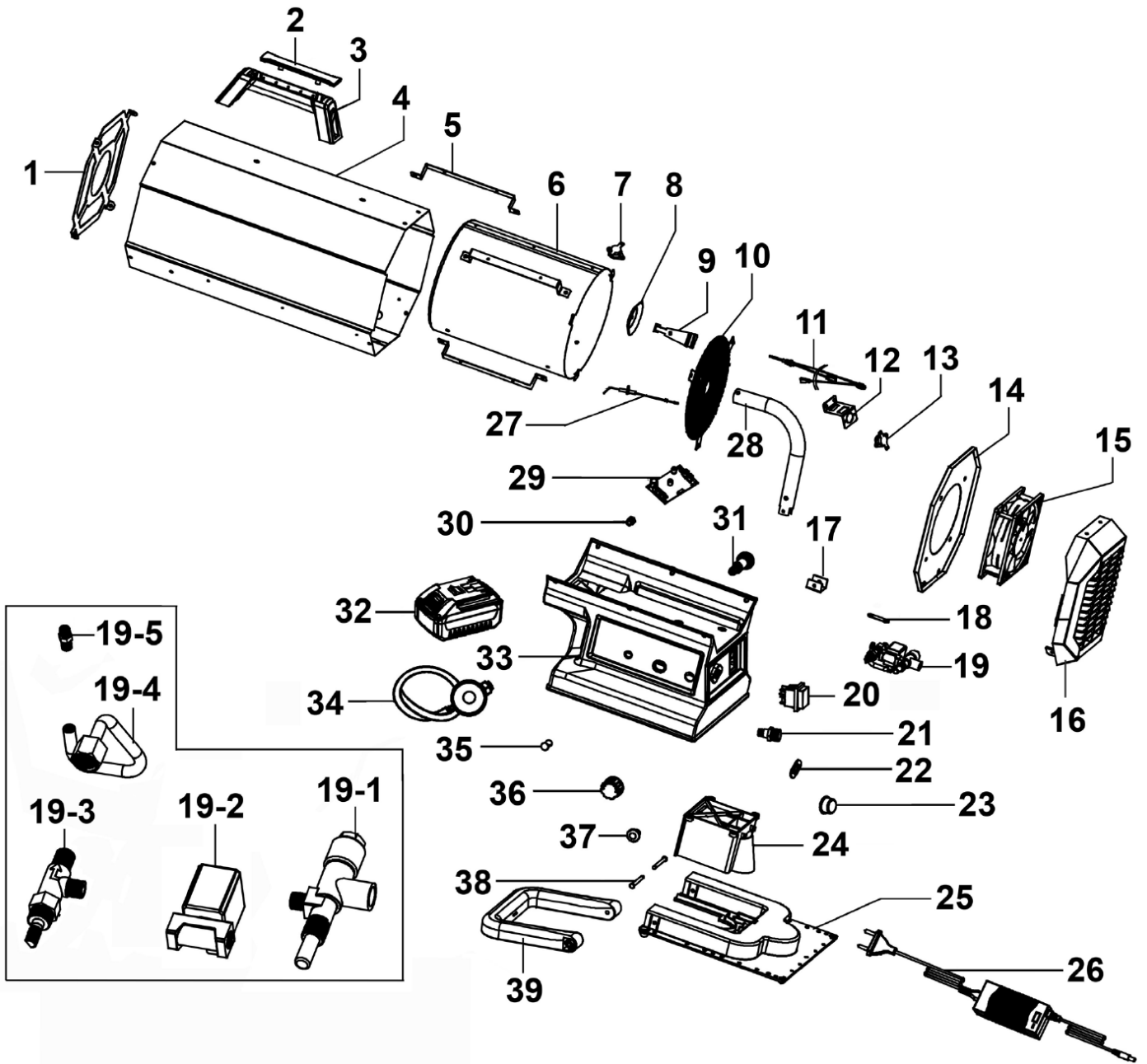




Parts Information:
2-in-1 Cordless/Corded Space Warmer®
Propane Heater 30,000-68,000Btu/hr (9-20kW)
Model No: LP69C



| Item | Part No. | Description |
|------|----------|-------------------------|
| 1 | LP69C.01 | Front Grill |
| 2 | LP69C.02 | Handle Cover |
| 3 | LP69C.03 | Handle Cover |
| 4 | LP69C.04 | Outer Casing |
| 5 | LP69C.05 | Heat Insulation Support |
| 6 | LP69C.06 | Inner Casing |
| 7 | LP69C.07 | Thermal Cut-Out 65deg |

| Item | Part No. | Description |
|------|----------|------------------------|
| 8 | LP69C.08 | Flame Support |
| 9 | LP69C.09 | Air Inlet Pipe Bracket |
| 10 | LP69C.10 | Burner Disc |
| 11 | LP69C.11 | Thermocouple |
| 12 | LP69C.12 | Thermocouple Bracket |
| 13 | LP69C.13 | Thermal Cut-Out 75deg |
| 14 | LP69C.14 | Motor Mounting Plate |

NOTE: It is our policy to continually improve products and as such we reserve the right to alter data, specifications and component parts without prior notice. There may be alternative versions of this product, please contact us should you require this information.

IMPORTANT: No liability is accepted for incorrect use of product. Spare parts must be fitted by a competent person

WARRANTY: Guarantee is 12 months from purchase date, proof of which will be required for any claim.

Sealey Group, Kempson Way, Suffolk Business Park, Bury St Edmunds, Suffolk. IP32 7AR



01284 757500



01284 703534



sales@sealey.co.uk



www.sealey.co.uk



Parts Information:
**2-in-1 Cordless/Corded Space Warmer®
Propane Heater 30,000-68,000Btu/hr (9-
20kW)
Model No: LP69C**

| Item | Part No. | Description |
|------|------------|---------------------------|
| 15 | LP69C.15 | Motor |
| 16 | LP69C.16 | Rear Grill |
| 17 | LP69C.17 | Bracket |
| 18 | LP69C.18 | Release Valve Plate |
| 19 | LP69C.19 | Valve Assembly |
| 19-1 | LP69C.19-1 | Gas Valve |
| 19-2 | LP69C.19-2 | Solenoid Valve |
| 19-3 | LP69C.19-3 | Control Valve |
| 19-4 | LP69C.19-4 | Gas Pipe |
| 19-5 | LP69C.19-5 | Gas Nozzle |
| 20 | LP69C.20 | Switch 250VAC |
| 21 | LP69C.21 | Inlet Connector |
| 22 | LP69C.22 | Fixed Panel for Inlet Nut |
| 23 | LP69C.23 | Protection Cap |
| 24 | LP69C.24 | Battery Mounting Base |
| 25 | LP69C.25 | Base Cover |

| Item | Part No. | Description |
|------|----------|--|
| 26 | CP20VMC | Battery Charger 20V Lithium-ion for SV20 Series |
| 27 | LP69C.27 | Ignition Needle |
| 28 | LP69C.28 | Intake Pipe |
| 29 | LP69C.29 | PCB |
| 30 | LP69C.30 | Charger Socket |
| 31 | LP69C.31 | Ignitor |
| 32 | CP20VBP4 | Power Tool Battery 20V 4Ah Lithium-ion for SV20 Series |
| 32 | CP20VBP6 | Power Tool Battery 20V 6Ah Lithium-ion for SV20 Series |
| 33 | LP69C.33 | Base |
| 34 | LP69C.34 | Regulator 700mbar |
| 35 | LP69C.35 | Indicator Cover |
| 36 | LP69C.36 | Adjusting Knob |
| 37 | LP69C.37 | Valve Adjuster |
| 38 | LP69C.38 | Axle |
| 39 | LP69C.39 | Base Bracket |

NOTE: It is our policy to continually improve products and as such we reserve the right to alter data, specifications and component parts without prior notice. There may be alternative versions of this product, please contact us should you require this information.

IMPORTANT: No liability is accepted for incorrect use of product. Spare parts must be fitted by a competent person

WARRANTY: Guarantee is 12 months from purchase date, proof of which will be required for any claim.

Sealey Group, Kempson Way, Suffolk Business Park, Bury St Edmunds, Suffolk. IP32 7AR



01284 757500



01284 703534



sales@sealey.co.uk



www.sealey.co.uk