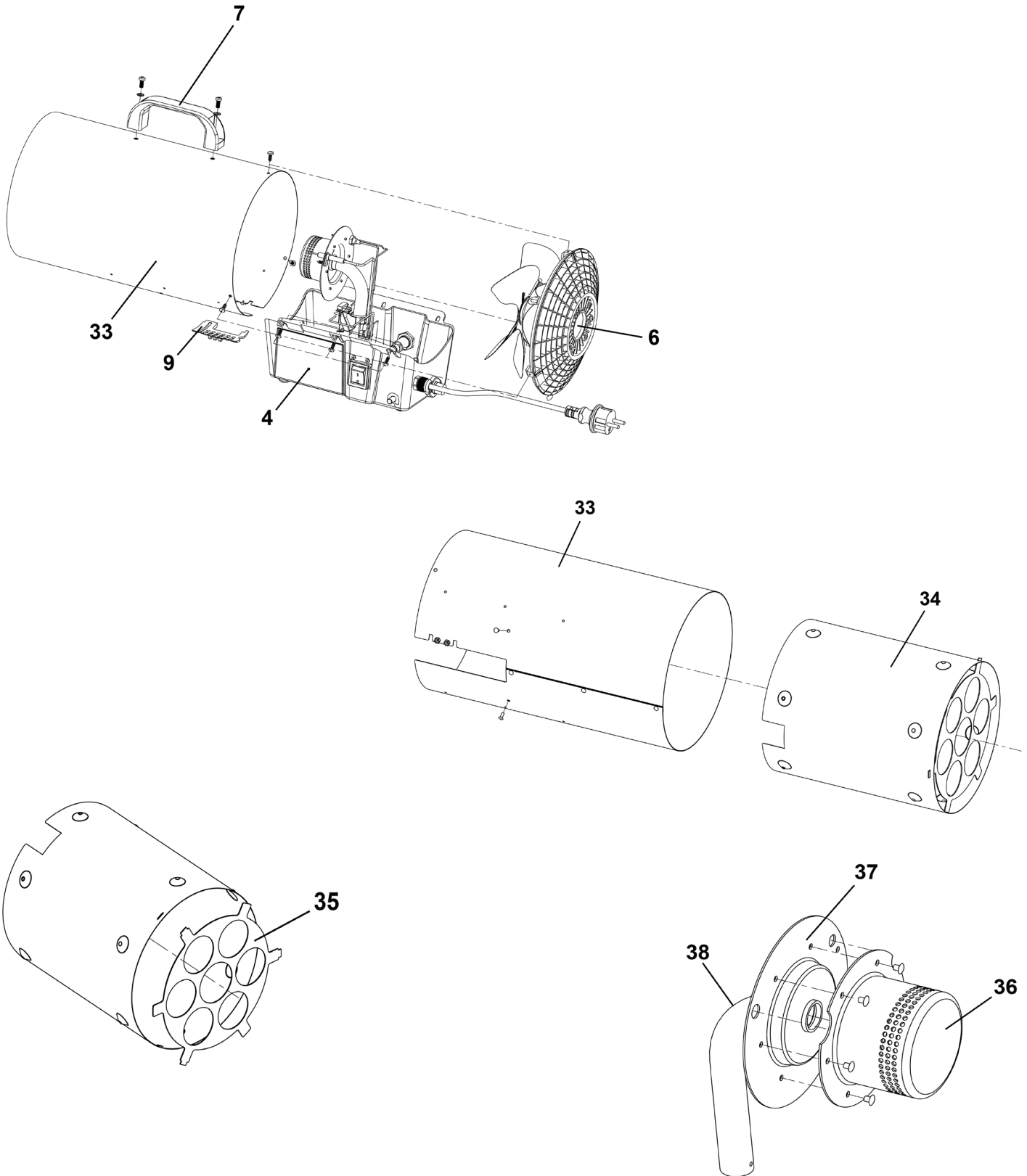




Parts Information:
Space Warmer® Propane Heater
40,500Btu/hr & 54,500Btu/hr
Model No: LP41.V2 & LP55.V2



NOTE: It is our policy to continually improve products and as such we reserve the right to alter data, specifications and component parts without prior notice.

IMPORTANT: No liability is accepted for incorrect use of product.

WARRANTY: Guarantee is 12 months from purchase date, proof of which will be required for any claim.

Sealey Group, Kempson Way, Suffolk Business Park, Bury St Edmunds, Suffolk. IP32 7AR



01284 757500



01284 703534



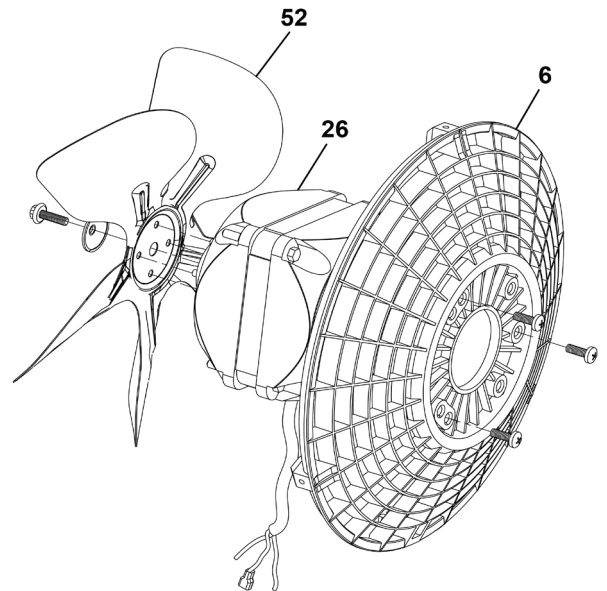
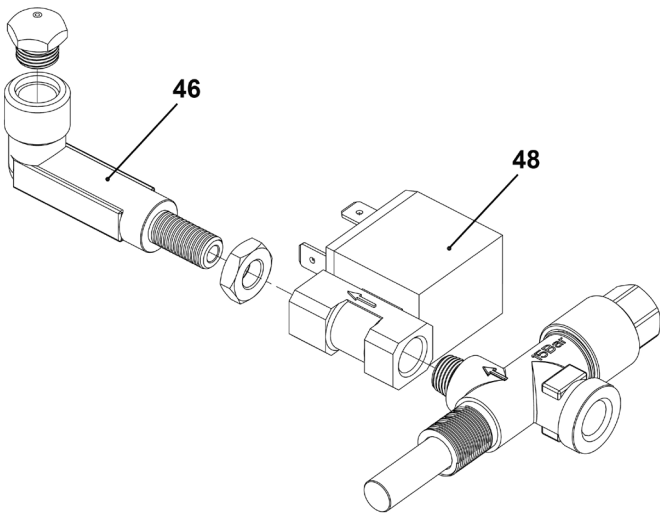
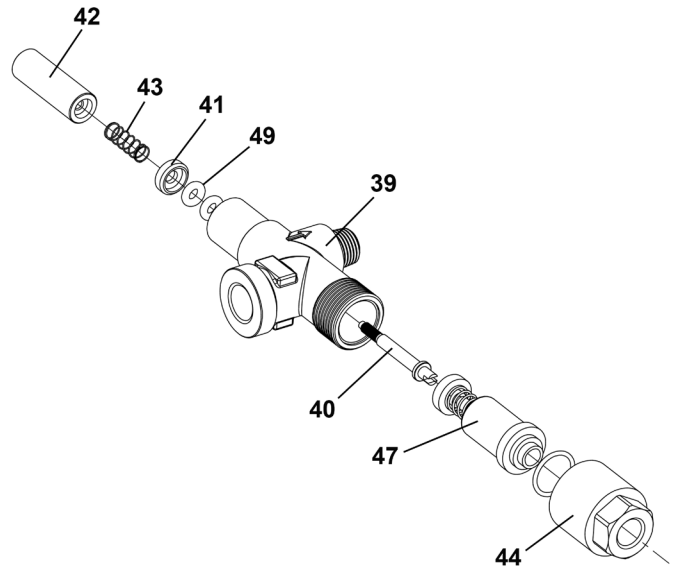
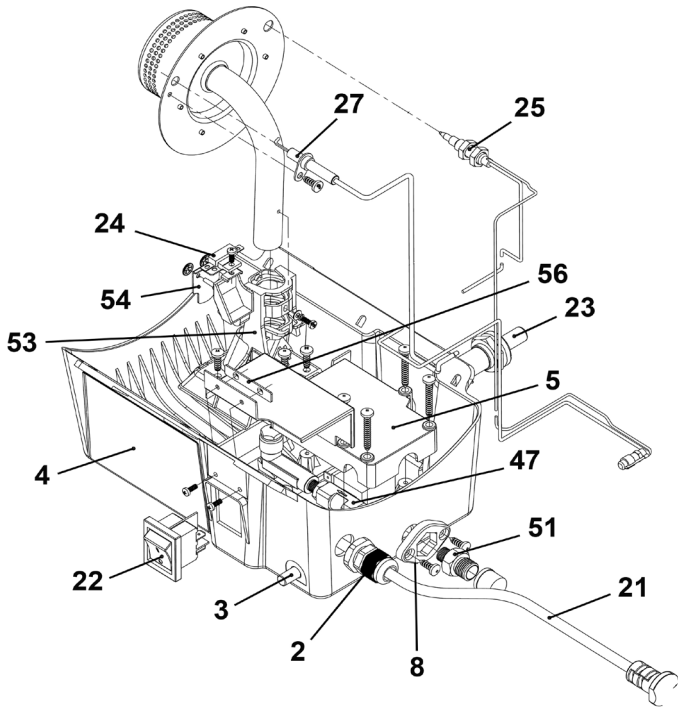
sales@sealey.co.uk



www.sealey.co.uk



Parts Information:
Space Warmer® Propane Heater
40,500Btu/hr & 54,500Btu/hr
Model No: LP41.V2 & LP55.V2



NOTE: It is our policy to continually improve products and as such we reserve the right to alter data, specifications and component parts without prior notice.

IMPORTANT: No liability is accepted for incorrect use of product.

WARRANTY: Guarantee is 12 months from purchase date, proof of which will be required for any claim.

Sealey Group, Kempson Way, Suffolk Business Park, Bury St Edmunds, Suffolk. IP32 7AR



01284 757500



01284 703534



sales@sealey.co.uk



www.sealey.co.uk



Parts Information:
Space Warmer® Propane Heater
40,500Btu/hr & 54,500Btu/hr
Model No: LP41.V2 & LP55.V2

| Item | Part No. | Description |
|------|----------|--------------------------------|
| -- | LP55.01 | BASE SUPPORT (not shown) |
| 2 | LP55.02 | CABLE GRIP |
| 3 | LP55.03 | VALVE BUTTON (RED) |
| 4 | LP55.04 | PLASTIC BASE |
| 5 | LP55.05 | SOLENOID VALVE COVER |
| 6 | LP55.06 | PLASTIC GUARD |
| 7 | LP55.07 | HANDLE |
| 8 | LP55.08 | GAS NOZZLE HOLDER |
| 9 | LP55.09 | PLASTIC BASE PLATE |
| -- | LP55.10 | CABLE TIE (not shown) |
| -- | LP55.11 | CLEAR PIPE 3x5 (not shown) |
| -- | LP55.12 | CLEAR PIPE 3x5 (not shown) |
| 21 | LP55.21 | POWER CABLE |
| 22 | LP55.22 | POWER SWITCH |
| 23 | LP55.23 | PIEZOIGNITOR |
| 24 | LP55.24 | THERMAL CONTROL |
| 25 | LP55.25 | THERMOCOUPLE |
| 26 | LP55.26 | MOTOR |
| 27 | LP55.27 | IGNITION ASS'Y |
| 33 | LP41.33 | COMBUSTION CHAMBER (LP41 only) |
| -- | LP55.33 | COMBUSTION CHAMBER (LP55 only) |
| 34 | LP41.34 | BODY (LP41 only) |

| Item | Part No. | Description |
|------|----------|------------------------------------|
| -- | LP55.34 | BODY (LP55 only) |
| 35 | LP55.35 | PROTECTION PLATE |
| 36 | LP55.36 | BURNER |
| 37 | LP55.37 | BURNER PLATE |
| 38 | LP55.38 | BURNER SUPPORT |
| 39 | LP55.39 | VALVE BODY |
| 40 | LP55.40 | GUIDE ROD |
| 41 | LP55.41 | POSITIONING RING |
| 42 | LP55.42 | GUIDE BUSHING |
| 43 | LP55.43 | COMPRESSED SPRING |
| 44 | LP55.44 | ALUMINIUM CAP |
| 45 | LP41.45 | NOZZLE (LP41 only) (not shown) |
| -- | LP55.45 | NOZZLE (LP55 only) (not shown) |
| 46 | LP55.46 | ELBOW |
| 47 | LP55.47 | ELECTRO-MAGNETIC VALVE |
| 48 | LP55.48 | SOLENOID VALVE |
| 49 | LP55.49 | O-RING 2.8x1.8 |
| 51 | LP55.51 | INLET FITTING |
| 52 | LP55.52 | FAN BLADE |
| 53 | LP55.53 | ALUMINIUM HOLDER |
| 54 | LP55.54 | TEMPERATURE CONTROL SWITCH BRACKET |
| 56 | LP55.56 | PLATE |

NOTE: It is our policy to continually improve products and as such we reserve the right to alter data, specifications and component parts without prior notice.

IMPORTANT: No liability is accepted for incorrect use of product.

WARRANTY: Guarantee is 12 months from purchase date, proof of which will be required for any claim.

Sealey Group, Kempson Way, Suffolk Business Park, Bury St Edmunds, Suffolk. IP32 7AR



01284 757500



01284 703534



sales@sealey.co.uk



www.sealey.co.uk