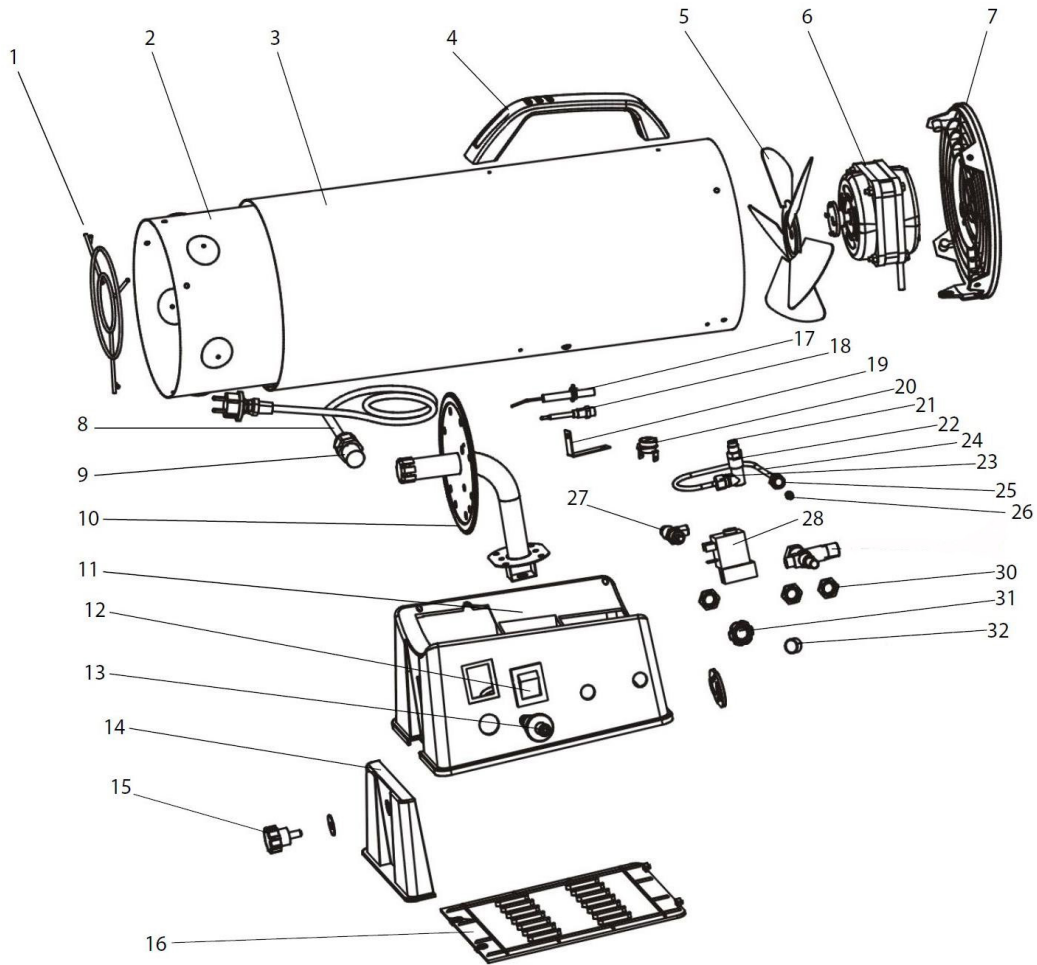




Parts Information:
Space Warmer® Propane Heater 26,000-42,000Btu/hr
Model No: LP40.V2



Item	Part No.	Description
1	P22-101-1001	FRONT GUARD
2	P22-524-1002	INNER SHELL
3	P22-524-1022	OUTER SHELL
4	P22-511-1000	HANDLE
5	P22-541-1001	FAN BLADE
6	P22-061-1001	MOTOR
7	P22-101-1010	REAR GUARD
8	P22-131-1010	POWER CORD
9	P22-131-1050	CABLE BUSHING
10	P22-505-1001	CHAMBER RING
11	P22-501-1001	LOWER SUPPORT
12	P22-603-1000	POWER SWITCH (ROCKER)
13	P22-504-1000	IGNITOR
14	P22-512-1001	HEIGHT CONTROLER
15	P22-503-1000	ROUND BOLT
16	P22-508-1001	LOWER SUPPORT COVER
17	P22-141-1000	SPARK PLUG

Item	Part No.	Description
18	P22-603-1020	THERMOCOUPLE
19	P22-603-1031	THERMOSTAT CLIP
20	P22-603-1030	TEMPERATURE LIMIT SWITCH 85°C
21	P22-081-1002	NOZZLE
22	P22-518-1050	NOZZLE SEAT
23	P22-518-1000	NOZZLE NUT (M8)
24	P22-605-1002	FUEL PIPE
25	P22-605-1010	DELIVERY TUBE NUT
26	P22-605-1020	DELIVERY TUBE O-RING
27	P22-011-1012	CONTROL VALVE (NLA)
28	P22-011-1002	ELECTRONIC GAS VALVE ASSEMBLY
30	P22-518-1060	HEX NUT
31	P22-516-1000	CONTROL KNOB (PLASTIC)
32	P22-507-1100	GAS INLET PLATE
--	P22-041-1020	REGULATOR ASS'Y (700mbar) (NOT SHOWN)
--	P22-700-1020	GAS SUPPLY ASSEMBLY (NOT SHOWN)

NOTE: It is our policy to continually improve products and as such we reserve the right to alter data, specifications and component parts without prior notice.

IMPORTANT: No liability is accepted for incorrect use of product.

WARRANTY: Guarantee is 12 months from purchase date, proof of which will be required for any claim.

Sealey Group, Kempson Way, Suffolk Business Park, Bury St Edmunds, Suffolk. IP32 7AR



01284 757500



01284 703534



sales@sealey.co.uk



www.sealey.co.uk