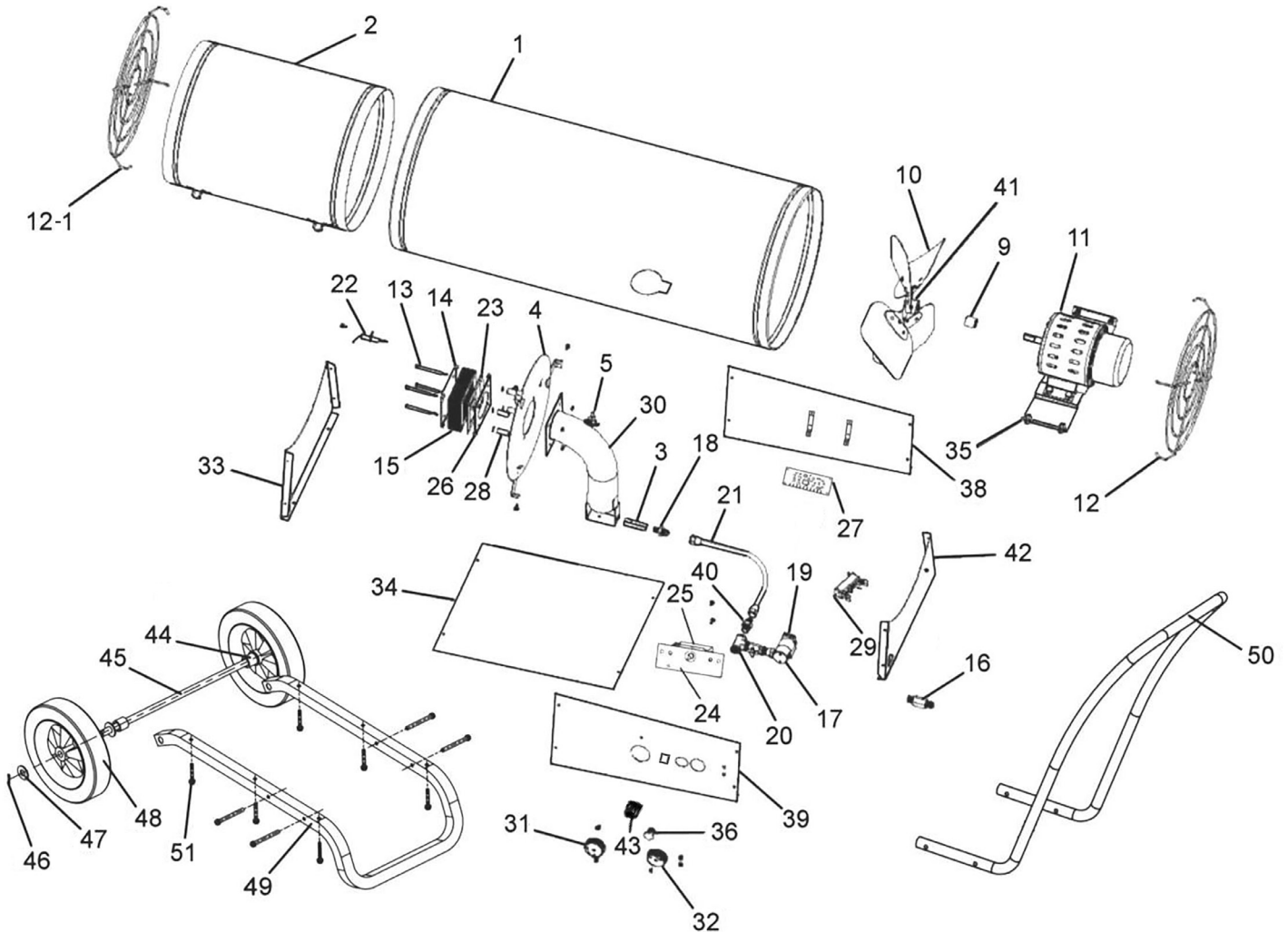




Parts Information:  
**Space Warmer® Propane Heater 210,000-400,000Btu/hr**  
**Model No: LP401.V2**



Item	Part No.	Description
1	LP401.01	Body
2	LP401.02	Combustion Chamber
3	LP401.03	Vent
4	LP401.04	Flame Holder Ass'y
5	LP401.05	Thermal Cut Out Switch 155 Degrees
9	LP401.09	Fan Spacer (Nylon)
10	LP401.10	Fan
11	LP401.11	Motor Ass'y (Internal 400V 50Hz)
12	LP401.12	Inlet Grille
12-1	LP401.12A	Outlet Grille

Item	Part No.	Description
13	LP401.13	Machine Screw (for Burner)
14	LP401.14	Burner, Outer Plate
15	LP401.15	Burner, Ceramic Plate
16	LP401.16	Male Fitting Connector (1/4"Mpt X 1/4" Sae)
17	LP401.17	Solenoid Valve
18	LP401.18	Male Fitting Connector (1/8"Mpt X 1/4"Sae)
19	LP401.19	Adjustment Valve
20	LP401.20	Fitting (1/4"Npt 'F')
21	LP401.21	Fuel Tube Ass'y
22	LP401.22	Electrode, Flame Sensor

**NOTE:** It is our policy to continually improve products and as such we reserve the right to alter data, specifications and component parts without prior notice. There may be alternative versions of this product, please contact us should you require this information.

**IMPORTANT:** No liability is accepted for incorrect use of product. Spare parts must be fitted by a competent person

**WARRANTY:** Guarantee is 12 months from purchase date, proof of which will be required for any claim.

**Sealey Group**, Kempson Way, Suffolk Business Park, Bury St Edmunds, Suffolk. IP32 7AR



01284 757500



01284 703534



sales@sealey.co.uk



www.sealey.co.uk



Parts Information:  
Space Warmer® Propane Heater 210,000-  
400,000Btu/hr  
Model No: LP401.V2

Item	Part No.	Description
23	LP401.23	Burner, Fibre Gasket
24	LP401.24	Thermostat Mounting Bracket
25	LP401.25	Thermostat Ass'y
26	LP401.26	Burner, Inner Plate
27	LP401.27	Flame Control Unit
28	LP401.28	Burner, SS Spacer
29	LP401.29	Terminal Board
30	LP401.30	Burner Tube
31	LP401.31	Knob, Thermostat, Plastic, OD: 45mm L: 30mm, 5mm Semicircular
32	LP401.32	Knob, Burn Rate Adjust, Plastic, OD: 40mm, 10mm Female Fitting
33	LP401.33	Control Box, Exit Panel
34	LP401.34	Control Box, Base Panel
35	LP401.35	Motor Mounting
36	LP401.36	Fitting, Plug 1/4"mpt
38	LP401.38	Control Box, Right Panel
39	LP401-V2-41	Control Box Panel
40	LP401.40	Male Fitting Connector (1/4"Mpt X 1/4"Sae)
41	LP401.41	Grub Screw 1/4"Unf
42	LP401.42	Control Panel, Inlet Panel

Item	Part No.	Description
43	LP401-V2-43	Power Switch
44	LP401.44	Axle, Sleeve
45	LP401.45	Axle 520mm
46	LP401.46	Cotter Pin 2.5 X 25
47	FWM12.S	Flat Washer M12 Zinc
48	LP401.48	Wheel,Fixed Plastic (D:200 W:40 B:14)
49	LP401.49	Support Frame
50	LP401.50	Handle, Upper
51	LP401.51	Machine Screw
--	LP401.52	Burner Assembly (Parts 13,14,15,23 & 26) (not shown)
--	LP401.ACC1	Snap Bushing 5/8" (not shown)
--	LP401.ACC2	Control Box, Right Panel (not shown)
--	LP401.ACC3	Bushing, Strain Relief (not shown)
--	LP401.ACC4	Power Cord Ass'y (not shown)
--	LP401.ACC5	Loop Clamp 5/16" (not shown)
--	LP401.ACC6	Hose Ass'y (L:3500 3/8"F) (not shown)
--	LP401.ACC7	Regulator (1.5Bar) (not shown)
--	LP401.ACC8	Excess Flow Valve (not shown)

**NOTE:** It is our policy to continually improve products and as such we reserve the right to alter data, specifications and component parts without prior notice. There may be alternative versions of this product, please contact us should you require this information.

**IMPORTANT:** No liability is accepted for incorrect use of product. Spare parts must be fitted by a competent person

**WARRANTY:** Guarantee is 12 months from purchase date, proof of which will be required for any claim.

Sealey Group, Kempson Way, Suffolk Business Park, Bury St Edmunds, Suffolk. IP32 7AR



01284 757500



01284 703534



sales@sealey.co.uk



www.sealey.co.uk