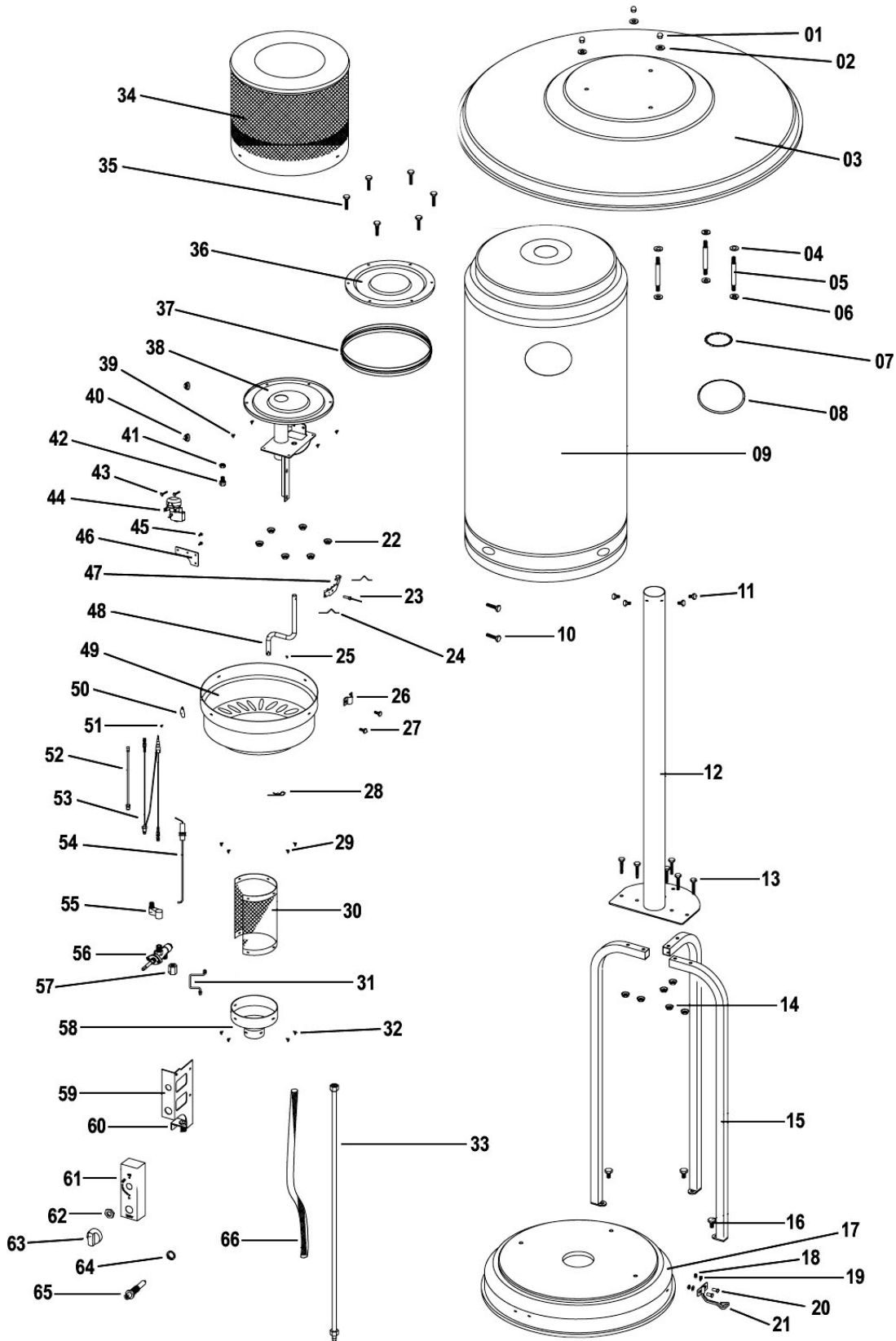




Parts Information:
Infrared Tower Propane Space Heater
12kW
Model No: LP352.V3



NOTE: It is our policy to continually improve products and as such we reserve the right to alter data, specifications and component parts without prior notice.

IMPORTANT: No liability is accepted for incorrect use of product.

WARRANTY: Guarantee is 12 months from purchase date, proof of which will be required for any claim.

Sealey Group, Kempson Way, Suffolk Business Park, Bury St Edmunds, Suffolk. IP32 7AR



01284 757500



01284 703534



sales@sealey.co.uk



www.sealey.co.uk



Parts Information:
Infrared Tower Propane Space Heater
12kW
Model No: LP352.V3

Item	Part No.	Description
1	LP352.V3-01	NUT
2	LP352.V3-02	WASHER
3	LP352.V3-03	REFLECTOR
4	RW825.S	REPAIR WASHER M8x25 (SINGLE)
5	LP352.V3-05	BURNER/REFLECTOR SUPPORT BOLT M8X90
6	LP352.V3-06	WASHER
7	LP352.V3-07	RUBBER O-RING (SMALL)
8	LP352.V3-08	RUBBER O-RING (LARGE)
9	LP352.V3-09	METAL TANK HOUSING
10	LP352.V3-10	PHILLIPS BOLT M4X8
11	LP352.V3-11	BOLT M6X10
12	LP352.V3-12	STAND POLE (56mm x 870mm)
13	LP352.V3-13	BOLT M6X30
14	FN6.S	FLANGE NUT SERRATED M6 ZINC (SINGLE)
15	LP352.V3-15	METAL SUPPORT POST
16	LP352.V3-16	BOLT M6X16
17	LP352.V3-17	BASE FOR STAND
18	SN6.S	STEEL NUT M6 ZINC DIN934 (SINGLE)
19	LP352.V3-19	WASHER
20	LP352.V3-20	BOLT M6X10
21	LP352.V3-21	GROUND FIXTURE KIT
22	SN4.S	STEEL NUT M4 ZINC DIN934 (SINGLE)
23	LP352.V3-23	RIVET
24	LP352.V3-24	CLIP
25	LP352.V3-25	BOLT M4X8
26	LP352.V3-26	FASTENER
27	MSP510.S	MACHINE SCREW PAN HEAD PHILLIPS M5x10mm
28	LP352.V3-28	R-CLIP
29	LP352.V3-51	STAINLESS STEEL BOLT
30	LP352.V3-30	SMALL FLAME SCREEN
31	LP352.V3-31	GAS PIPE
32	LP352.V3-32	STAINLESS STEEL BOLT
33	LP352.V3-33	GAS PIPE

Item	Part No.	Description
34	LP352.V3-34	STAINLESS STEEL FLAME SCREEN
35	MSP430.S	MACHINE SCREW PAN HEAD PHILLIPS M4x30mm
36	LP352.V3-36	BURNER COVER
37	LP352.V3-37	BURNER MESH
38	LP352.V3-38	VALVE BASE
39	LP352.V3-39	STAINLESS STEEL BOLT
40	SN4.S	STEEL NUT M4 ZINC DIN934 (SINGLE)
41	LP352.V3-41	NOZZLE LOCK NUT
42	LP352.V3-42	NOZZLE
43	LP352.V3-43	PHILLIPS BOLT M4X25
44	EPH2100.05	TIP-OVER SWITCH
45	LP352.V3-45	PHILLIPS BOLT M4X8
46	LP352.V3-46	BASE FOR TILT SWITCH
47	LP352.V3-47	NIP
48	LP352.V3-48	GAS PIPE
49	LP352.V3-49	BURNER BASE
50	LP352.V3-50	BAFFLE
51	LP352.V3-51	STAINLESS STEEL BOLT
52	LP352.V3-52	PIPE FOR LEADNG FIRE
53	LP352.V3-53	THERMOCOUPLE
54	LP352.V3-54	IGNITION WIRE
55	LP352.V3-55	GAS PIPE VALVE CONNECTION (OUT)
56	LP352.V3-56	VALVE
57	LP352.V3-57	GAS PIPE VALVE CONNECTION (IN)
58	LP352.V3-58	CONTROL HOUSING BASE
59	LP352.V3-59	VALVE BRACKET
60	LP352.V3-60	GAS PIPE CONNECTION (OUT)
61	LP352.V3-61	PANEL
62	LP352.V3-62	VALVE LOCK NUT
63	LP352.V3-63	KNOB
64	LP352.V3-64	IGNITION LOCK NUT
65	LP352.V3-65	IGNITER
66	LP352.V3-66	GAS HOSE

NOTE: It is our policy to continually improve products and as such we reserve the right to alter data, specifications and component parts without prior notice.

IMPORTANT: No liability is accepted for incorrect use of product.

WARRANTY: Guarantee is 12 months from purchase date, proof of which will be required for any claim.

Sealey Group, Kempson Way, Suffolk Business Park, Bury St Edmunds, Suffolk. IP32 7AR



01284 757500



01284 703534



sales@sealey.co.uk



www.sealey.co.uk