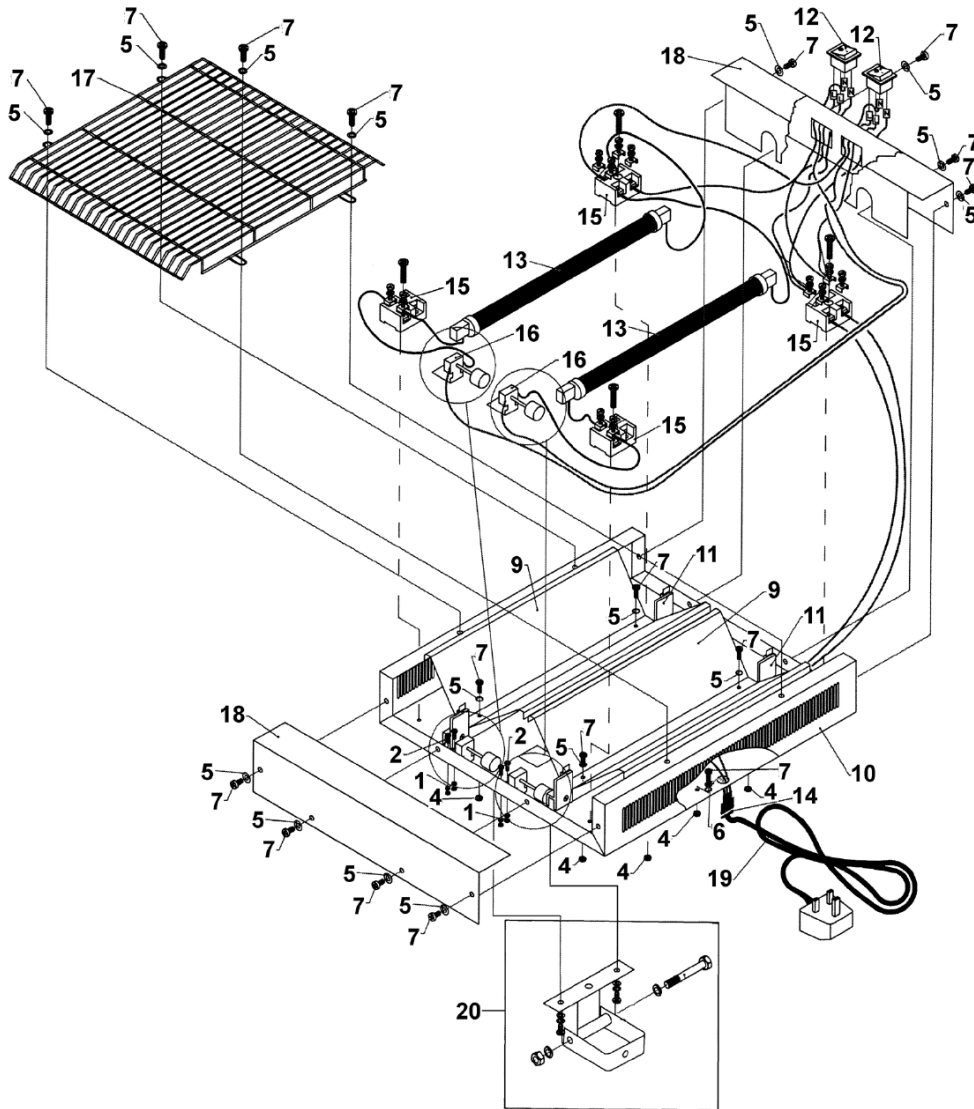




Parts Information:
Infrared Quartz Heater - Tripod Mounted
3000W/230V
Model No: LP3000



Item	Part No.	Description
1	LP3000.301	Nuts (Pack Of 10)
2	LP3000.310	Screws (Pack Of 10)
4	IWMH4500.501	Nuts (Pack Of 10)
5	IWMH4500.502	Washers (Pack Of 10)
7	IWMH1500.511	Screw (Pack Of 10)
9	IWMH4500.704	Main Reflector
10	IWMH3000.742	Main Body
11	LP3000.752	Lamp Holder
12	LP1500.V2-SW	Switch, On/Off Rocker Illuminated (16a/250v - ACT85)
13	INF64241530	Lamp, Halogen, Ruby Quartz Infra Red, 240v, 1500w

Item	Part No.	Description
14	IWMH1500.SR	Strain Relief
15	IWMH4500.TB	Terminal Block
16	LP3000.781078	Tilt Switch Ass'y
17	LP3000.Q2FSG	Guard
18	LP3000.EPR	End Plate / Reflector (Pair)
19	MC3CX0.75	Mains Cable Blk, 3 Core, 0.75 mm2
20	LP3000.HLTPB	Mounting Bracket Complete
--	LP3000.HLSB	Stand (Tripod) (Not Shown)
--	FWM4.S	Flat Washer M4 (Not Shown)
--	IWMH4500.512	Screws (Pack Of 10) (Not Shown)

NOTE: It is our policy to continually improve products and as such we reserve the right to alter data, specifications and component parts without prior notice. There may be alternative versions of this product, please contact us should you require this information.

IMPORTANT: No liability is accepted for incorrect use of product. Spare parts must be fitted by a competent person

WARRANTY: Guarantee is 12 months from purchase date, proof of which will be required for any claim.

Sealey Group, Kempson Way, Suffolk Business Park, Bury St Edmunds, Suffolk. IP32 7AR



01284 757500



01284 703534



sales@sealey.co.uk



www.sealey.co.uk