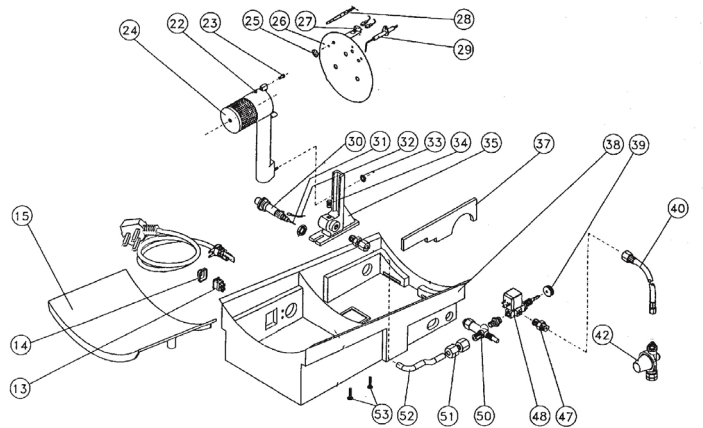
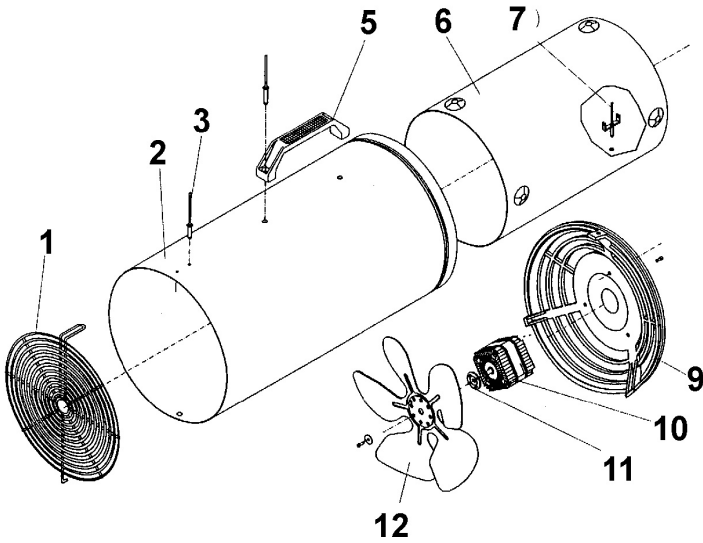




Parts Information:
**Space Heater Propane 113,000 - 186,000
 Btu 110/230V
 Model No: LP125.V3**



Item	Part No.	Description
1	SL20240009	Front Grid Kid30/40 B
2	SL2003206055	Body
3	SL20230197	Rivet
5	SL1001002700	Handle
6	SL1094085455	Chamber
7	SL20230198	Ground Rivet
9	SL20010095	Rear Grid Kid29/30/40
10	SL20400019	Motor (Internal 110/240V 50HZ 78W)
11	SL1001010555	Coupling
12	SL20200021	Fan 265 34
13	SL20320003	Switch On/Off Dual-Polarity
14	SL20020010	Cap
15	SL1001008955	Cover
22	FN6.S	Flange Nut Serrated M6 Zinc (Single)
23	SS416.S	Hex Head Set Screw M4x16mm Single
24	SL20621489	Burner Assembly
25	SL20230223	Retaining Washer (Star Clip) M6
26	SL1094003900	Disc
27	SL20360008	Safety Thermostat
28	SL1068000455	Thermocouple
29	SL20300000	Ignition Electrode Kid 30/04/6

Item	Part No.	Description
30	SL20320019	Piezo Ignitor D.22
31	SL20390000	Cable
32	SL1039000455	Cable
33	FN6.S	Flange Nut Serrated M6 Zinc (Single)
34	SL1088006300	Nozzle D. 1.5
35	SL1135000055	Burner Support
37	SL1001008755	Bulkhead
38	SL20010055	Lower Support (New Type)
39	SL1001009155	Knob
40	LP/HOSE-1/4	Gas Heater Hose (L:1500mm 1/4"F)
42	SL1070002055	Regulator
--	SL20150007	Regulator 2 Bar (NOT SHOWN)
47	SL1067003055	Fitting
48	SL20420011	Solenoid Valve 110V 1/8" BSP
--	SL1067003300	Fitting 1/8"M x 1/8"M (NOT SHOWN)
50	SL20140001	Gas Valve
51	SL1067010355	Fitting
--	SL20120054	Fitting (NOT SHOWN)
52	SL1079001455	Copper Pipe
--	SL20170002	Copper Pipe (NOT SHOWN)
53	SL20230065	Screw

NOTE: It is our policy to continually improve products and as such we reserve the right to alter data, specifications and component parts without prior notice.

IMPORTANT: No liability is accepted for incorrect use of product.

WARRANTY: Guarantee is 12 months from purchase date, proof of which will be required for any claim.

Sealey Group, Kempson Way, Suffolk Business Park, Bury St Edmunds, Suffolk. IP32 7AR



01284 757500



01284 703534



sales@sealey.co.uk



www.sealey.co.uk