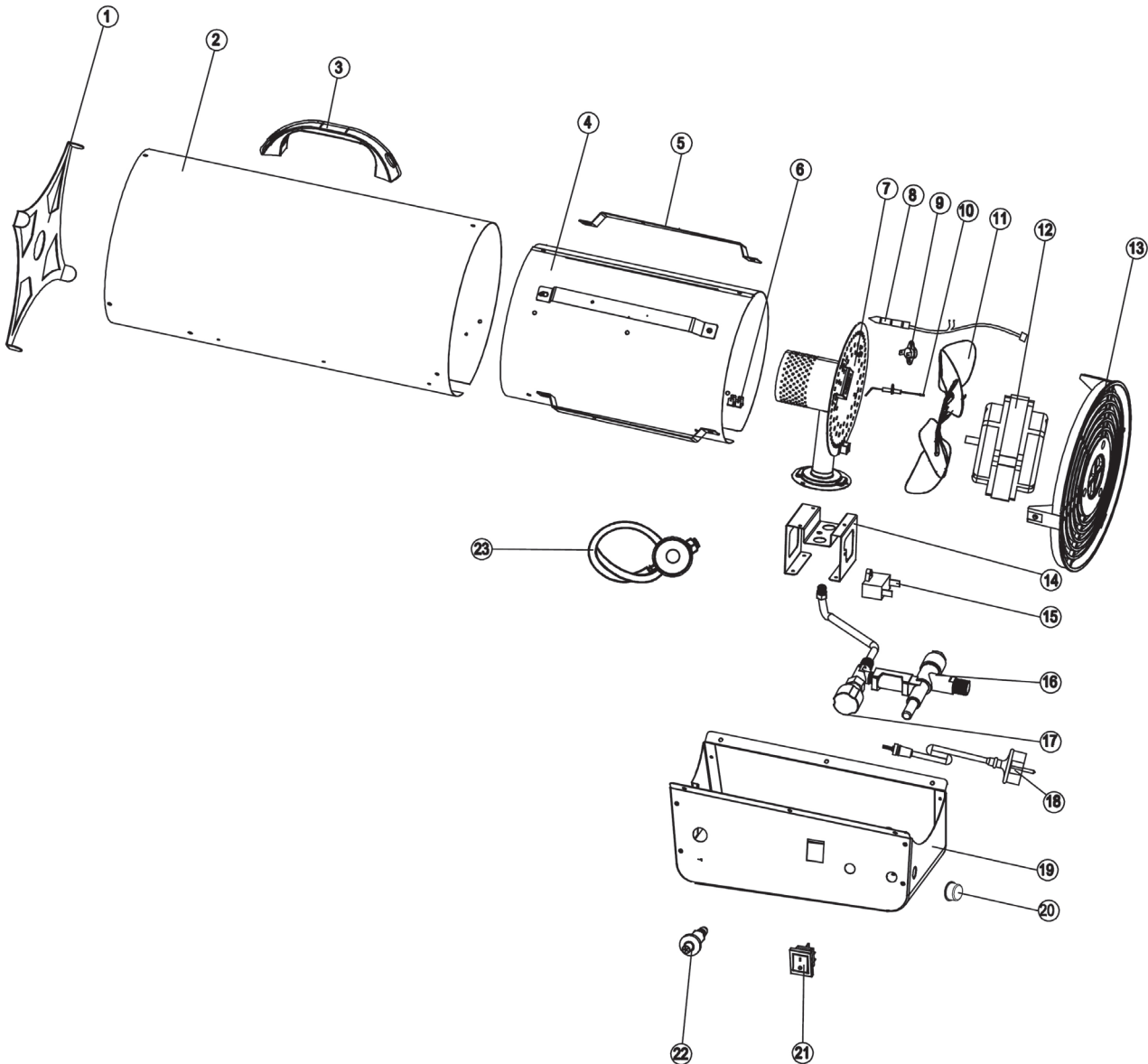




Parts Information:
Space Warmer® Propane Heater 75,000-102,000Btu/hr
Model No: LP100.V5



Item	Part No.	Description
1	LP170.01	Front Grille
2	LP100.V5-02	Outer Casing
3	LP170.03	Handle
4	LP100.V5-04	Inner Cover
5	LP170.05	Insulation Cover Support
6	LP170.06	Connection Block
7	LP170.07	Burner Head Ass'y
8	LP170.08	Thermocouple
9	LP100.V5-09	Thermal Cut-Out
10	LP170.10	Ignition Electrode
11	LP100.V5-11	Fan
12	LP170.12	Motor

Item	Part No.	Description
13	LP170.13	Air Inlet Grille
14	LP170.14	Nozzle Support Bracket
15	LP170.15	Capacitor 2.0uF
16	LP100.V5-16A	Control Valve Ass'y
17	LP170.17	Adjustment Knob
18	MC3CX0.75	Mains Cable Blk, 3 Core, 0.75 mm2
19	LP170.19	Lower Support
20	LP170.20	Inlet Connection Protection Cover
21	LP170.21	Switch
22	LP170.22	Ignitor
23	P22-041-1020	Regulator Ass'y 700mbar

NOTE: It is our policy to continually improve products and as such we reserve the right to alter data, specifications and component parts without prior notice.

IMPORTANT: No liability is accepted for incorrect use of product.

WARRANTY: Guarantee is 12 months from purchase date, proof of which will be required for any claim.

Sealey Group, Kempson Way, Suffolk Business Park, Bury St Edmunds, Suffolk. IP32 7AR



01284 757500



01284 703534



sales@sealey.co.uk



www.sealey.co.uk