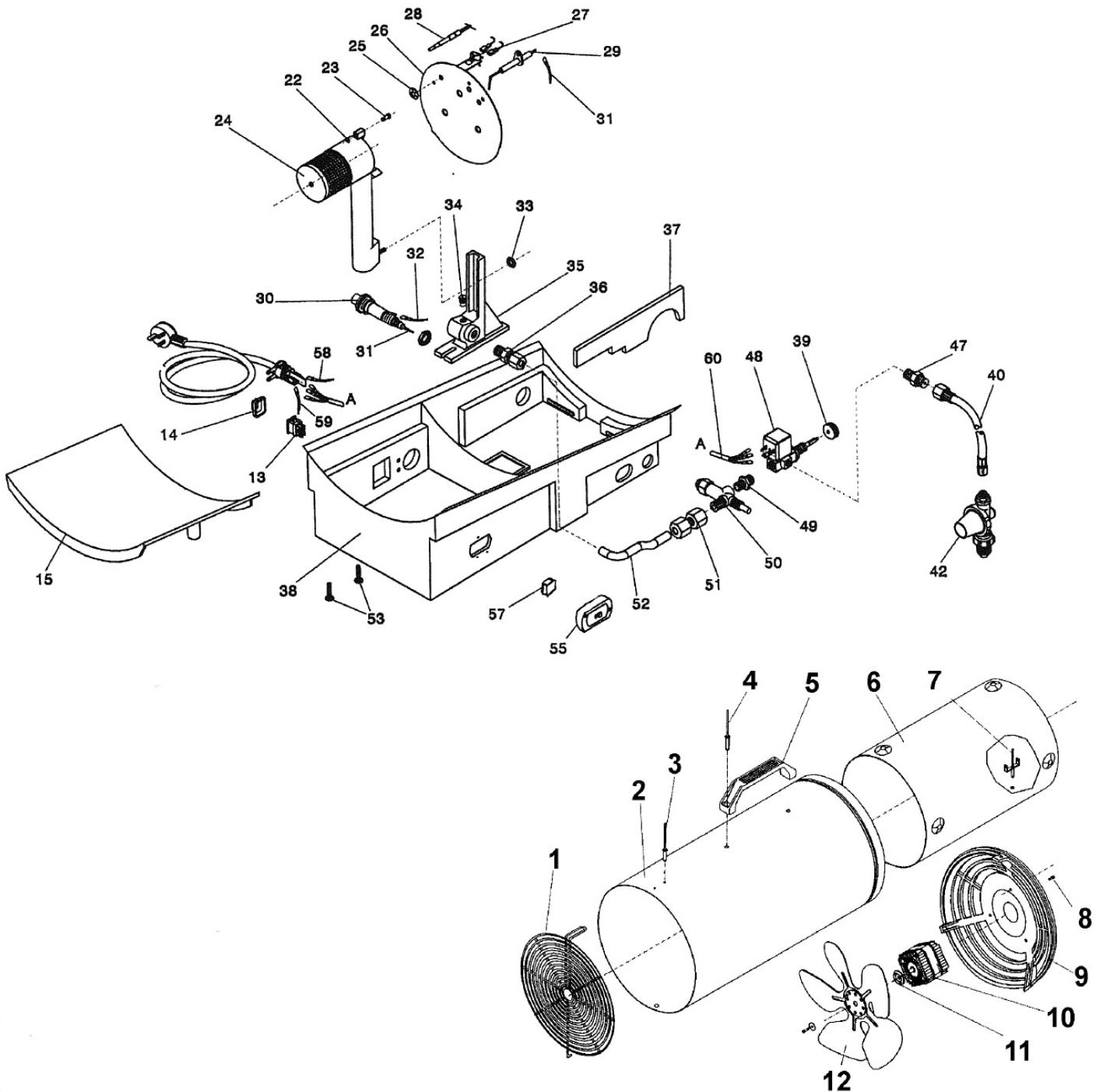




Parts Information:  
Space Warmer® Propane Heater 42,000-  
106,400Btu/hr 110/230V  
Model No: LP100



**NOTE:** It is our policy to continually improve products and as such we reserve the right to alter data, specifications and component parts without prior notice.

**IMPORTANT:** No liability is accepted for incorrect use of product.

**WARRANTY:** Guarantee is 12 months from purchase date, proof of which will be required for any claim.

Sealey Group, Kempson Way, Suffolk Business Park, Bury St Edmunds, Suffolk. IP32 7AR



01284 757500



01284 703534



sales@sealey.co.uk



www.sealey.co.uk



Parts Information:  
Space Warmer® Propane Heater 42,000-  
106,400Btu/hr 110/230V  
Model No: LP100

Item	Part No.	Description
1	SL20240009	FRONT GRID
2	SL2003205855	BODY
3	SL20230197	RIVET
4	SL20230191	RIVET
5	SL1001002700	HANDLE
6	SL2003205955	CHAMBER
7	SL20230198	GROUND RIVET
8	SL1016005400	SCREW
9	SL20010095	REAR GRID
10	SL20400019	MOTOR KID
11	SL1001010555	COUPLING
12	SL20200021	FAN 265 34
13	SL20320003	SWITCH ON/OFF DUAL-POLARITY
14	SL20020010	CAP
15	SL1001008955	COVER
22	FN6.S	FLANGE NUT SERRATED M6 ZINC (SINGLE)
23	SS416.S	HEX HEAD SET SCREW M4x16mm SINGLE
24	SL2003214855	BURNER ASSEMBLY
25	SL20230223	RETAINING WASHER (STAR CLIP)
26	SL1094003900	DISC
27	SL20360008	SAFETY THERMOSTAT
28	SL1068000455	THERMOCOUPLE
29	SL20300000	IGNITION ELECTRODE
30	SL20320019	PIEZO IGNITOR
31	SL20390000	CABLE
32	SL1039000455	CABLE
33	FN6.S	FLANGE NUT SERRATED M6 ZINC (SINGLE)
34	SL1088006200	NOZZLE D,1,15

Item	Part No.	Description
35	SL1135000055	BURNER SUPPORT
36	SL1067010255	FITTING
37	SL1001008755	BULKHEAD
38	SL20010055	LOWER SUPPORT (NEW TYPE)
39	SL1001009155	KNOB
40	LP/HOSE-1/4	GAS HEATER HOSE
--	LP/HOSE-3/8	GAS HEATER HOSE 3/8" F X 1/4" F 1.5M LONG (NOT SHOWN)
42	SL20150006	REGULATOR 1,5 BAR
47	SL1067003055	FITTING
48	SL20420011	SOLENOID VALVE 110V 1/8" BSP
--	SL20420009	SOLENOID VALVE & TAP (NOT SHOWN)
49	SL1067003300	FITTING 1/8" M x 1/8" M
50	SL20140001	GAS VALVE
51	SL1067010355	FITTING
--	SL20120054	FITTING (NOT SHOWN)
52	SL1079001455	COPPER PIPE
--	SL20170002	COPPER PIPE (NOT SHOWN)
53	SL20230065	SCREW
55	SL1001010300	SELECTOR PLATE
--	SL20010030	DEVIATOR PLATE (NOT SHOWN)
--	SL1001010200	SELECTOR SUPPORT (NOT SHOWN)
57	SL1039010555	VOLTAGE SELECTOR
--	SL20320021	BIPOLE DEVIATOR (NOT SHOWN)
58	SL1039009155	CABLE
59	SL1039010655	CABLE
60	SL20390064	Space Warmer® Propane Heater 42,000-106,400Btu/hr 110/230V

**NOTE:** It is our policy to continually improve products and as such we reserve the right to alter data, specifications and component parts without prior notice.

**IMPORTANT:** No liability is accepted for incorrect use of product.

**WARRANTY:** Guarantee is 12 months from purchase date, proof of which will be required for any claim.

Sealey Group, Kempson Way, Suffolk Business Park, Bury St Edmunds, Suffolk. IP32 7AR



01284 757500



01284 703534



sales@sealey.co.uk



www.sealey.co.uk