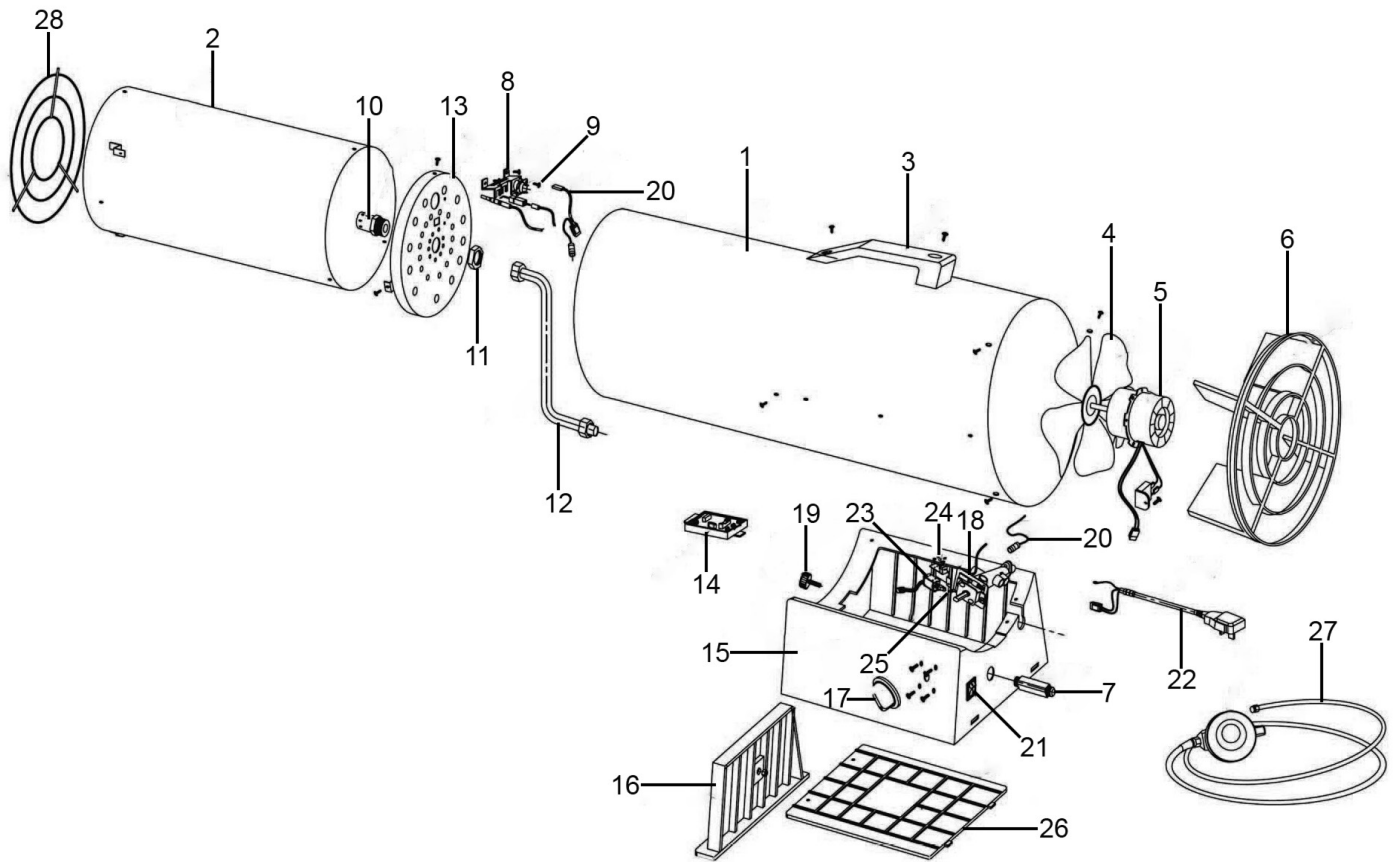


Parts Information:
Space Warmer® Propane Heater 68,000-97,000Btu/hr
Model No: LP100.V3



Item	Part No.	Description
1	P22-524-0015	Body
2	P22-524-0005	Chamber
3	P22-511-0005	Handle
4	P22-514-0002	Fan
5	P22-061-0009	Motor Assembly
6	P22-101-0011	Guard Assembly
7	P22-507-0011	Inlet Connector
8	P22-504-0003	Multi-Bracket
9	P22-603-0006	Switch, Thermal Cut Out
10	P22-081-0009	Nozzle
11	P22-518-0001	Nut, Nozzle
12	P22-605-0006	Delivery Tube
13	P22-505-0007	Chamber Ring
14	P22-521-0004	PCB Assembly
15	P22-501-0012	Lower Support
16	P22-512-0008	Height Controller
17	P22-516-0004	Valve Knob
18	P22-011-0011	Valve Assembly

Item	Part No.	Description
19	P22-503-0003	Bolt
20	P22-601-0001	Cable, Thermal Switch
21	P22-603-0007	Switch, Power (c/w Cover)
22	P22-131-0010	Power Cord Assembly
23	P22-504-0020	Solenoid Assembly
24	P22-504-0025	Solenoid Bracket
25	P22-504-0030	Solenoid Arm Guide
26	P22-508-0002	Cover, Lower Support
27	P22-041-0009	Regulator Assembly
28	P22-101-0009	Front Grille
--	P22-601-0100	Thermocouple (Not Shown)
--	P22-604-0100	Spark Plug (Not Shown)
--	P22-507-0002	Multi-Bracket Assembly (Not Shown)
--	LP100.L	Label, Valve Knob (Not Shown)
--	LP100.L1	Spec Label (Not Shown)
--	LP-GEN	General Label (Not Shown)
--	P22-509-0001	Plastic Fan Disc (Not Shown)

NOTE: It is our policy to continually improve products and as such we reserve the right to alter data, specifications and component parts without prior notice. There may be alternative versions of this product, please contact us should you require this information.

IMPORTANT: No liability is accepted for incorrect use of product. Spare parts must be fitted by a competent person

WARRANTY: Guarantee is 12 months from purchase date, proof of which will be required for any claim.