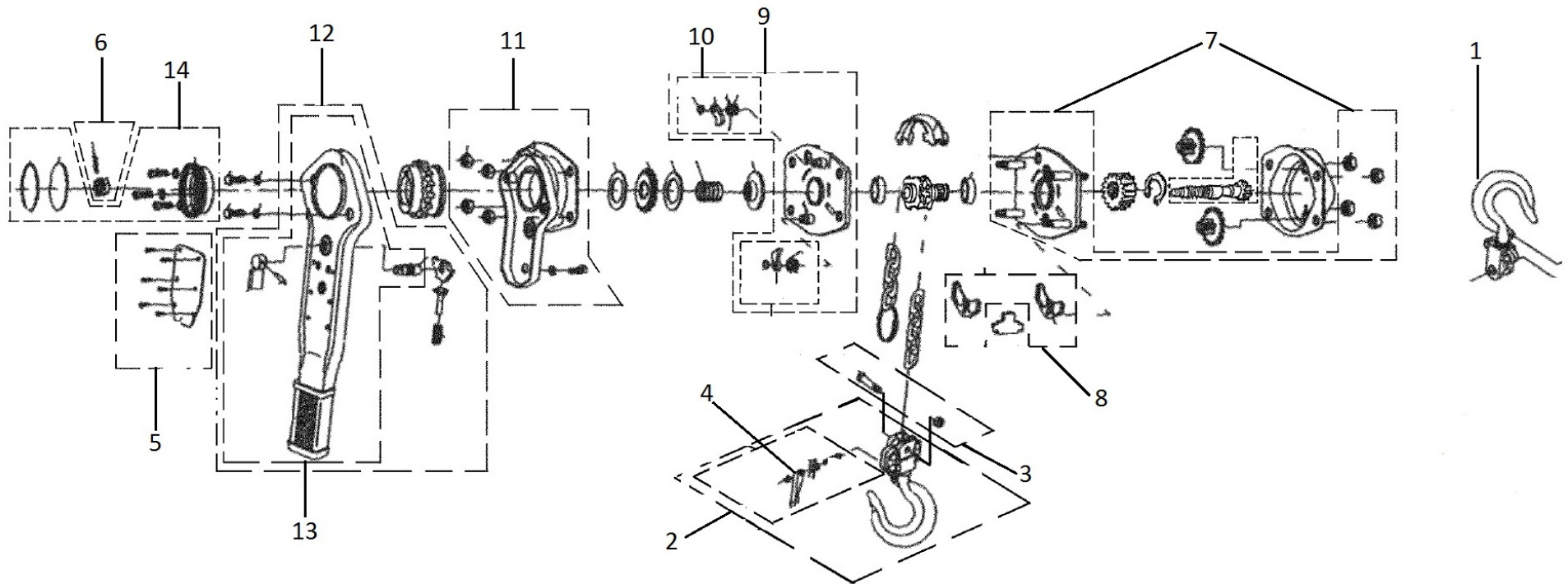




Parts Information:  
**Lever Hoist Steel 3000kg**  
**Model No: LH3000.V2**



**NOTE:** It is our policy to continually improve products and as such we reserve the right to alter data, specifications and component parts without prior notice.

**IMPORTANT:** No liability is accepted for incorrect use of product.

**WARRANTY:** Guarantee is 12 months from purchase date, proof of which will be required for any claim.

Sealey Group, Kempson Way, Suffolk Business Park, Bury St Edmunds, Suffolk. IP32 7AR



01284 757500



01284 703534



sales@sealey.co.uk



www.sealey.co.uk



Parts Information:  
**Lever Hoist Steel 3000kg**  
**Model No: LH3000.V2**

Item	Part No.	Description
1	LH3000.V2-01	TOP HOOK ASSEMBLY
--	LH3000.V2-03	TOP PIN (NOT SHOWN)
2	LH3000.V2-04	BOTTOM HOOK ASSEMBLY
3	LH3000.V2-05	CHAIN PIN COMPONENT
4	LH3000.V3-09	SAFETY LATCH ASS'Y
--	LH3000.V2-11	CHAIN RING (NOT SHOWN)
5	LH3000.V2-12	NAME PLATE COMPONENT
--	LH3000.V2-13	GEAR CASE ASSEMBLY (NOT SHOWN)
--	LH3000.V2-14	DRIVEN SHAFT ASSEMBLY (NOT SHOWN)
6	LH3000.V2-15	DRIVE SHAFT COMPONENT
--	LH3000.V2-16	SPLINED GEAR (NOT SHOWN)
7	LH3000.V2-17	SIDE PLATE ASSEMBLY A
--	LH3000.V2-18	BUSHING (NOT SHOWN)
--	LH3000.V2-19	LOAD SHEAVE (NOT SHOWN)
--	LH3000.V2-20	GUIDE PLATE (NOT SHOWN)
8	LH3000.V2-21	CHAIN LEADER A.B
--	LH3000.V2-22	STRIPPER (NOT SHOWN)
9	LH3000.V2-23	SIDE PLATE ASSEMBLY B

Item	Part No.	Description
10	LH3000.V2-24	PAWL COMPONENT
--	LH3000.V2-25	DISK HUB (NOT SHOWN)
--	LH3000.V2-26	SPRING (NOT SHOWN)
--	LH3000.V2-27	FRICTION DISK (NOT SHOWN)
--	LH3000.V2-28	RATCHET DISK (NOT SHOWN)
11	LH3000.V2-29	BRAKE COVER ASSEMBLY
--	LH3000.V2-30	CHANGE OVER GEAR (NOT SHOWN)
12	LH3000.V2-31	LEVER HANDLE ASSEMBLY
13	LH3000.V2-32	LEVER HANDLE COMPONENT
--	LH3000.V2-33	CHANGE OVER PAWL (NOT SHOWN)
--	LH3000.V2-34	SPRING SHAFT (NOT SHOWN)
--	LH3000.V2-35	CHANGE OVER SPRING (NOT SHOWN)
--	LH3000.V2-37	HANDLE RUBBER GRIP (NOT SHOWN)
14	LH3000.V2-38	HAND WHEEL COMPONENT
--	LH3000.V2-39	HAND WHEEL (NOT SHOWN)
--	LH3000.V2-40	INDICATOR CAP (NOT SHOWN)
--	LH3000.V2-46	SNAP RING (NOT SHOWN)

**NOTE:** It is our policy to continually improve products and as such we reserve the right to alter data, specifications and component parts without prior notice.

**IMPORTANT:** No liability is accepted for incorrect use of product.

**WARRANTY:** Guarantee is 12 months from purchase date, proof of which will be required for any claim.

**Sealey Group**, Kempson Way, Suffolk Business Park, Bury St Edmunds, Suffolk. IP32 7AR



01284 757500



01284 703534



sales@sealey.co.uk



www.sealey.co.uk