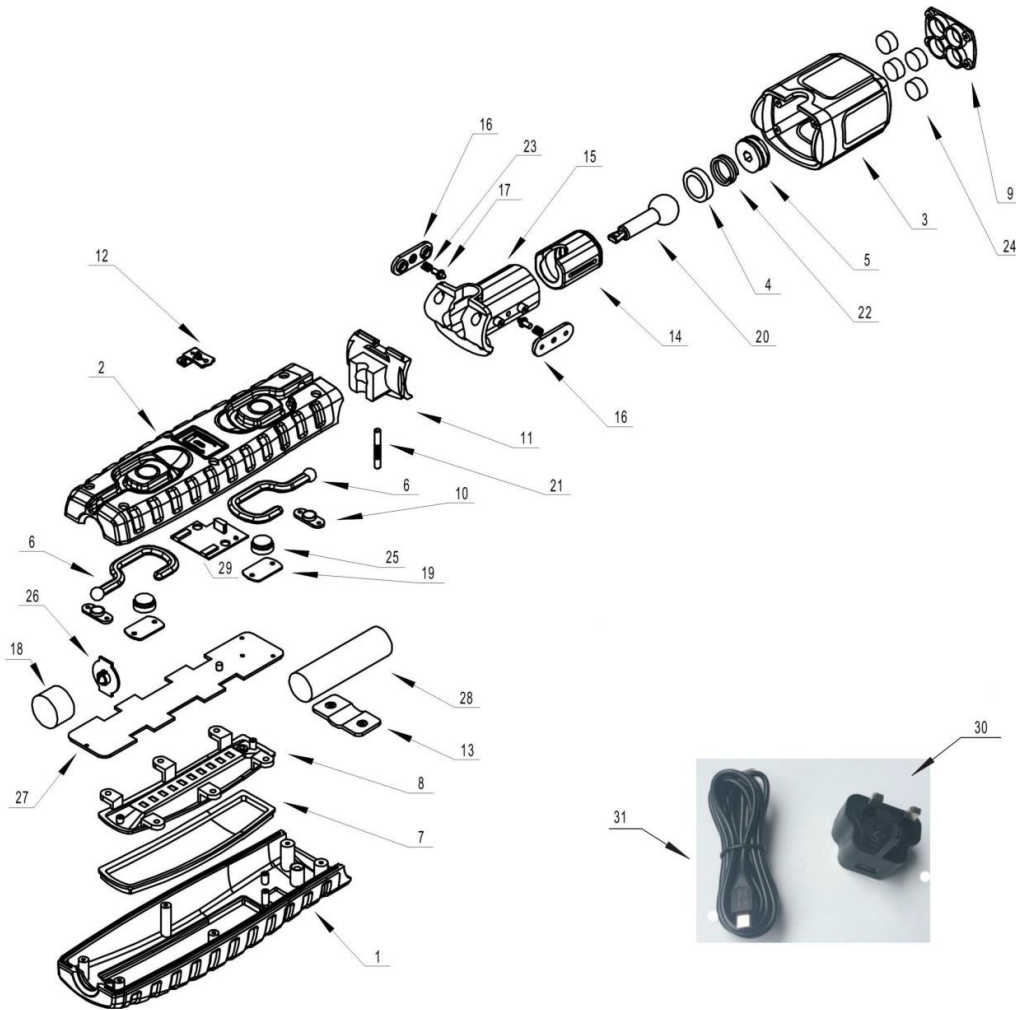




Parts Information:  
**Rechargeable 360° Inspection Lamp 10  
 SMD LED + 3W LED Green Lithium-ion  
 Model No: LED360G.V2**



Item	Part No.	Description
1	LED360G.V2-01	FRONT HOUSING 'GREEN'
2	LED360G.V2-02	BACK HOUSING 'GREEN'
3	LED360G.V2-03	HANDLE 'GREEN'
4	LED360.V2-04	BALL SUPPORT (LOWER)
5	LED360.V2-05	BALL SUPPORT (UPPER)
6	LED360.V2-06	HOOK, TOP
7	LED360.V2-07	LENS, FRONT
8	LED360.V2-08	PLASTIC REFLECTOR
9	LED360.V2-09	BOTTOM COVER
10	LED360.V2-10	HOOK SUPPORT
11	LED360.V2-11	FIXED SUPPORT
12	LED360.V2-12	CHARGING SOCKET COVER
13	LED360.V2-13	BATTERY SUPPORT
14	LED360.V2-14	ROTATING SUPPORT (UPPER)
15	LED360.V2-15	ROTATING SUPPORT (LOWER)
16	LED360.V2-16	ROTATING SUPPORT

Item	Part No.	Description
17	LED360.V2-17	PIN
18	LED360.V2-18	HEAD LED LENS
19	LED360.V2-19	MAGNET SUPPORT
20	LED360.V2-20	ROTATING BALL
21	LED360.V2-21	ROTATING BALL PIN
22	LED360.V2-22	WAVE SPRING
23	LED360.V2-23	SPRING
24	LED360.V2-24	BOTTOM MAGNET
25	LED360.V2-25	BACK HOUSING MAGNET
26	LED360.V2-26	HEAD LED PCB
27	LED360.V2-27	10SMD PCB
28	LED360.V2-28	LI-ION BATTERY
29	LED360.V2-29	MICRO USB CHARGING PCB
31	LED360USB.C	USB MAINS CHARGER ONLY
31	LED3602G.41	MICRO USB WITH 5PIN CABLE

**NOTE:** It is our policy to continually improve products and as such we reserve the right to alter data, specifications and component parts without prior notice.

**IMPORTANT:** No liability is accepted for incorrect use of product.

**WARRANTY:** Guarantee is 12 months from purchase date, proof of which will be required for any claim.

**Sealey Group**, Kempson Way, Suffolk Business Park, Bury St Edmunds, Suffolk. IP32 7AR



01284 757500



01284 703534



sales@sealey.co.uk



www.sealey.co.uk