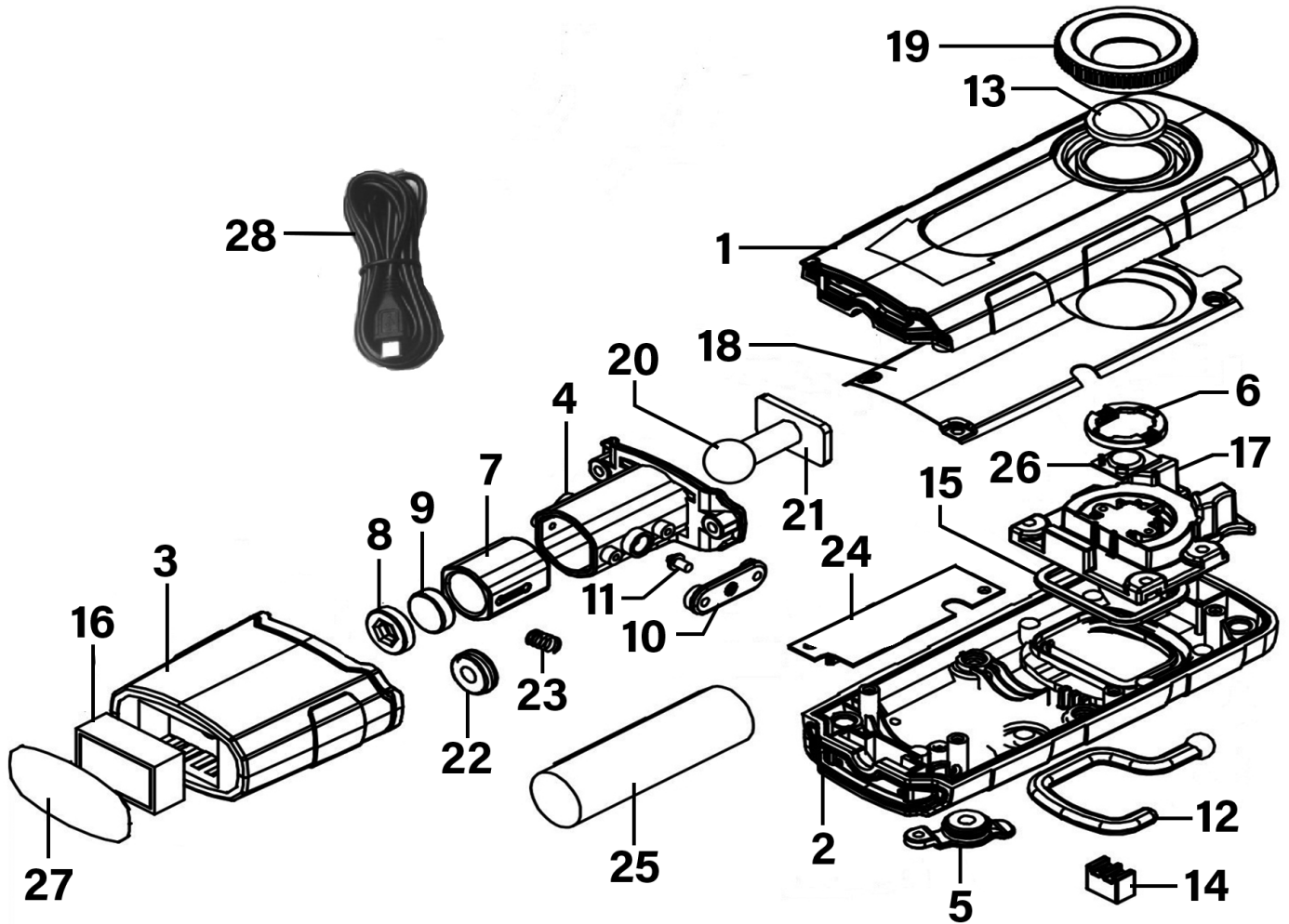




Parts Information:
**Rechargeable 360° Inspection Lamp 5W
 COB LED Lithium-ion Colour Matching
 CRI-96
 Model No: LED360CM.V3**



Item	Part No.	Description
1	LED360CM.01	Front Housing
2	LED360CM.02	Back Housing
3	LED360CM.03	Handle
4	LED360CM.04	Rotating Support (Large)
5	LED360CM.05	Charging Socket Cover
6	LED360CM.06	COB Support
7	LED360CM.07	Rotating Support (Small)
8	LED360CM.08	Ball Support (Upper)
9	LED360CM.09	Ball Support (Lower)
10	LED360CM.10	Rotating Support
11	LED360CM.11	Rotating Support Pin
12	LED360CM.12	Hook, Top
13	LED360CM.13	Led Lens
14	LED360CM.14	Indicator Support
15	LED360CM.15	Seal

Item	Part No.	Description
16	LED360CM.16	Magnet (Bottom)
17	LED360CM.17	Plate
18	LED360CM.18	Aluminium Lamp Surround
19	LED360CM.19	Metal Lamp Reflector
20	LED360CM.20	Pivot
21	LED360CM.21	Pivot Plate
22	LED360CM.22	Wavey Spring
23	LED360CM.23	Spring
24	LED360CM.24	PCB, Circuit Board, 63 X 20mm, c/w Micro Switch
25	LED360CM.25	Battery w/connector 3.7v 2600mah li-ion (18x66mm)
26	LED360CMV3.26	6W COB
27	LED360CM.27	Magnet Label
28	LED3602G.41	Micro USB to USB Cable

NOTE: It is our policy to continually improve products and as such we reserve the right to alter data, specifications and component parts without prior notice. There may be alternative versions of this product, please contact us should you require this information.

IMPORTANT: No liability is accepted for incorrect use of product. Spare parts must be fitted by a competent person

WARRANTY: Guarantee is 12 months from purchase date, proof of which will be required for any claim.

Sealey Group, Kempson Way, Suffolk Business Park, Bury St Edmunds, Suffolk. IP32 7AR



01284 757500



sales@sealey.co.uk



www.sealey.co.uk