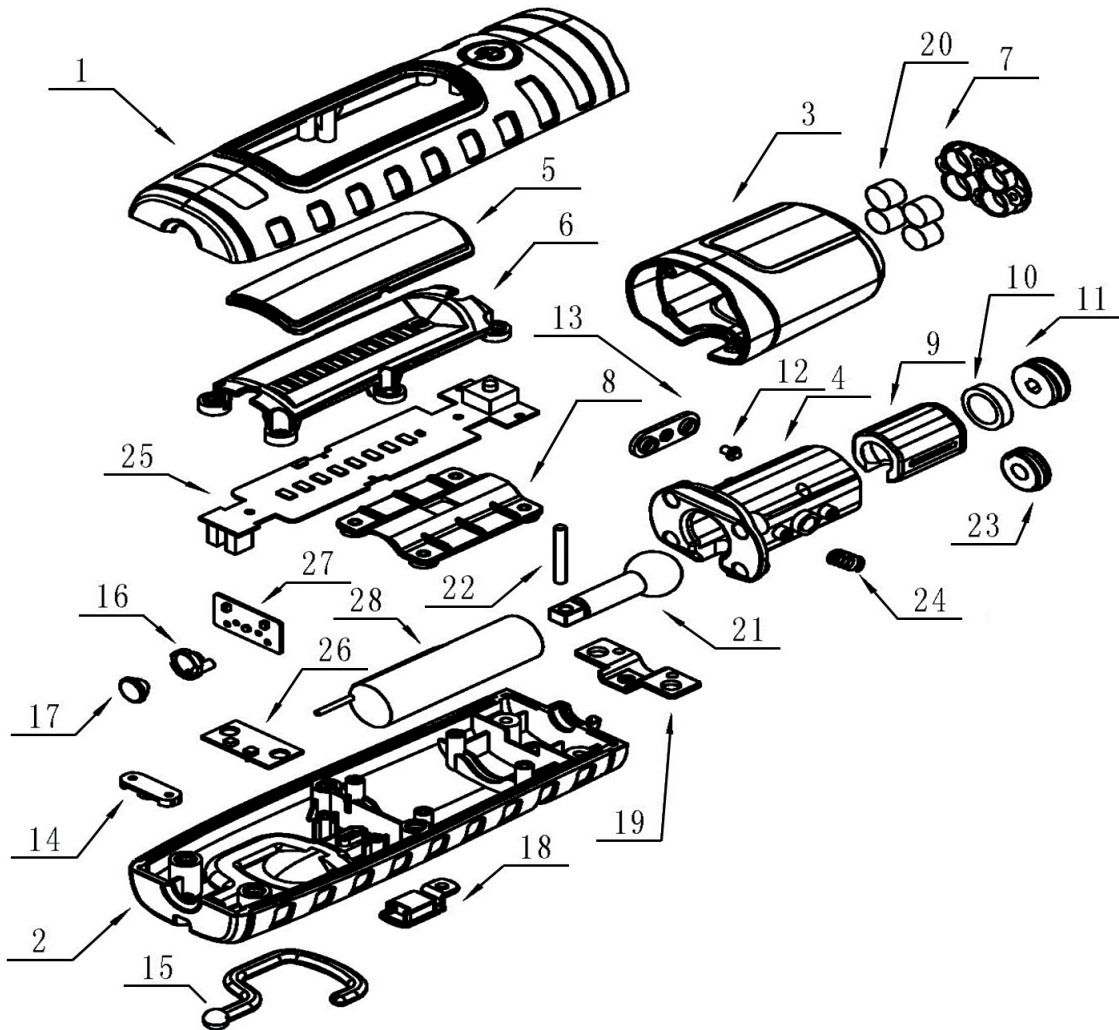


Parts Information:
**Rechargeable 360° 8 SMD + 1W LED Midi
 Inspection Lamp Red 40th Anniversary
 Lithium-ion
 Model No: LED3605RA**



| Item | Part No. | Description |
|------|--------------|--------------------------|
| 1 | LED3605RA.01 | FRONT HOUSING |
| 2 | LED3605RA.02 | BACK HOUSING |
| 3 | LED3605RA.03 | HANDLE |
| 4 | LED3605RA.04 | ROTATING SUPPORT (LARGE) |
| 5 | LED3605RA.05 | MAIN LED LENS |
| 6 | LED3605RA.06 | PLASTIC REFLECTOR |
| 7 | LED3605RA.07 | BOTTOM BOARD |
| 8 | LED360.V3-08 | BATTERY COVER |
| 9 | LED360.V2-14 | ROTATING SUPPORT (UPPER) |
| 10 | LED360.V2-04 | BALL SUPPORT (LOWER) |
| 11 | LED360.V2-05 | BALL SUPPORT (UPPER) |
| 12 | LED360.V2-17 | PIN |
| 13 | LED360.V2-16 | ROTATING SUPPORT |
| 14 | LED360.V2-10 | HOOK SUPPORT |

| Item | Part No. | Description |
|------|---------------|----------------------|
| 15 | LED3601.11 | HOOK |
| 16 | LED3601.08 | HEAD LED COVER |
| 17 | LED3601.17 | HEAD LED LENS |
| 18 | LED360PLUS.18 | CHARGER SOCKET COVER |
| 19 | LED360PLUS.34 | PIVOT BOARD |
| 20 | LED360.V2-24 | BOTTOM MAGNET |
| 21 | LED360.V2-20 | ROTATING BALL |
| 22 | LED360.V2-21 | ROTATING BALL PIN |
| 23 | LED360.V2-22 | WAVE SPRING |
| 24 | LED360.V2-23 | SPRING |
| 25 | LED3605RA.25 | 8SMD PCB |
| 26 | LED360.V3-28 | USB CHARGING PCB |
| 27 | LED3601.29 | HEAD LED PCB |
| 28 | LED360.V2-28 | LI-ION BATTERY |

NOTE: It is our policy to continually improve products and as such we reserve the right to alter data, specifications and component parts without prior notice.

IMPORTANT: No liability is accepted for incorrect use of product.

WARRANTY: Guarantee is 12 months from purchase date, proof of which will be required for any claim.