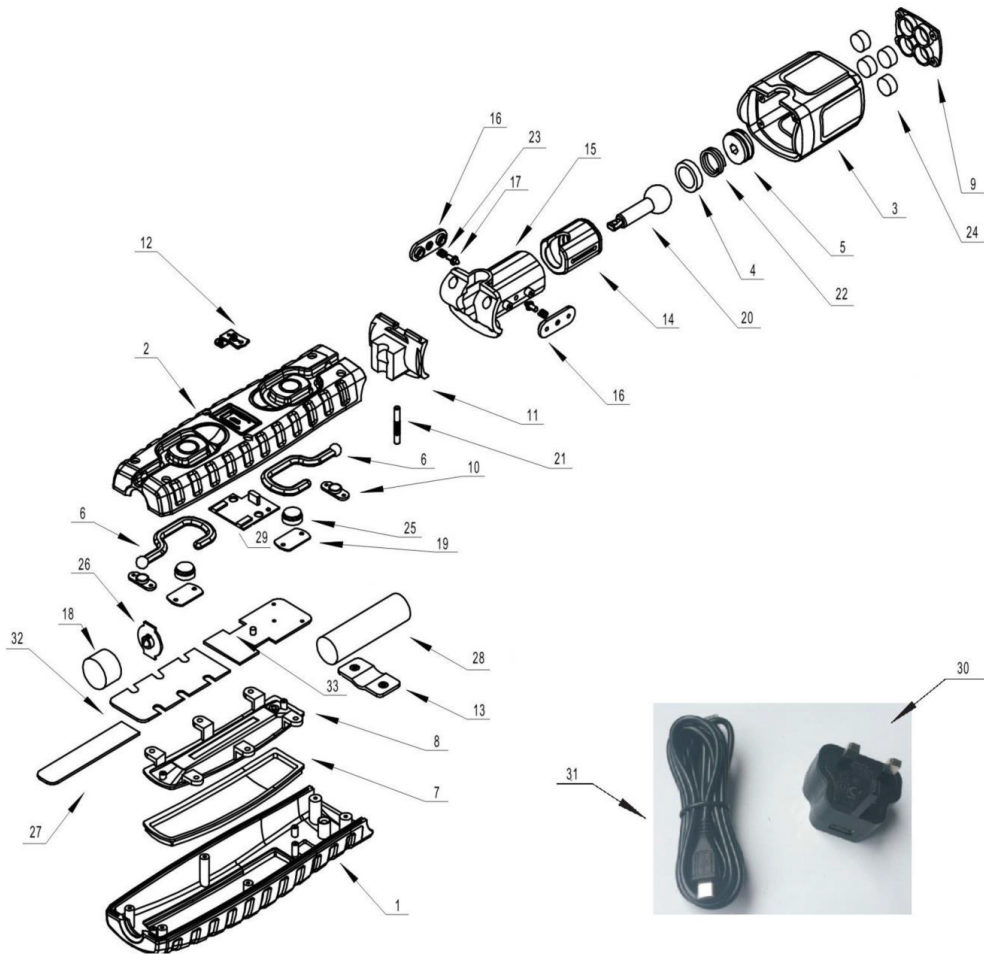




Parts Information:  
**Rechargeable 360° Inspection Lamp 3W  
 COB + 3W LED Green Lithium-iond  
 Model No: LED3603G**



Item	Part No.	Description
1	LED3603G.01	FRONT HOUSING 'GREEN'
2	LED3603G.02	BACK HOUSING 'GREEN'
3	LED3603G.03	HANDLE 'GREEN'
4	LED3603.04	BALL SUPPORT (LOWER)
5	LED3603.05	BALL SUPPORT (UPPER)
6	LED3603.06	HOOK, TOP
7	LED3603.07	LENS, FRONT
8	LED3603.08	PLASTIC REFLECTOR
9	LED3603.09	BOTTOM COVER
10	LED3603.10	HOOK SUPPORT
11	LED3603.11	FIXED SUPPORT
12	LED3603.12	CHARGING SOCKET COVER
13	LED3603.13	BATTERY SUPPORT
14	LED3603.14	ROTATING SUPPORT (UPPER)
15	LED3603.15	ROTATING SUPPORT (LOWER)
16	LED3603.16	ROTATING SUPPORT
17	LED3603.17	PIN

Item	Part No.	Description
18	LED3603.18	HEAD LED LENS
19	LED3603.19	MAGNET SUPPORT
20	LED3603.20	ROTATING BALL
21	LED3603.21	ROTATING BALL PIN
22	LED3603.22	WAVE SPRING
23	LED3603.23	SPRING
24	LED3603.24	BOTTOM MAGNET
25	LED3603.25	BACK HOUSING MAGNET
26	LED3603.26	HEAD LED PCB
27	LED3603.27	3W COB
28	LED3603.28	LI-ION BATTERY
29	LED3603.29	MICRO USB CHARGING PCB
30	LED360USB.C	USB MAINS CHARGER ONLY
31	LED3602G.41	MICRO USB WITH 5PIN CABLE
32	LED3603.32	COB BOARD
33	LED3603.33	SWITCH PCB
--	LED360.V2-CA	CAR ADAPTOR (12V PLUG TO USB)

**NOTE:** It is our policy to continually improve products and as such we reserve the right to alter data, specifications and component parts without prior notice.

**IMPORTANT:** No liability is accepted for incorrect use of product.

**WARRANTY:** Guarantee is 12 months from purchase date, proof of which will be required for any claim.

**Sealey Group**, Kempson Way, Suffolk Business Park, Bury St Edmunds, Suffolk. IP32 7AR



01284 757500



01284 703534



sales@sealey.co.uk



www.sealey.co.uk