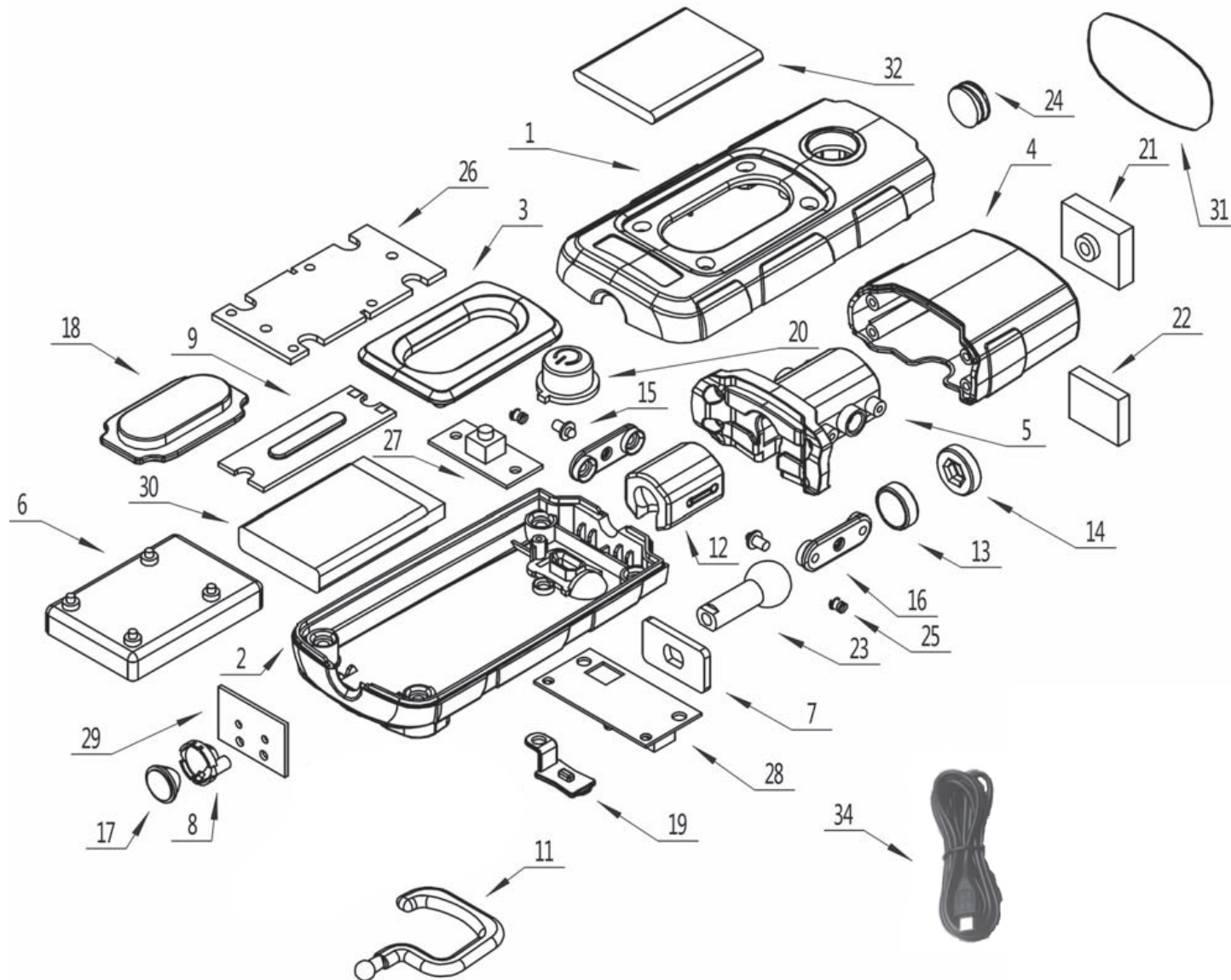




Parts Information:
Rechargeable 360° Lithium-Polymer Inspection Lamp 2W COB + 1W LED
Model No: LED3601.V3 series



Sealey Group, Kempson Way, Suffolk Business Park, Bury St Edmunds, Suffolk. IP32 7AR



01284 757500



01284 703534



sales@sealey.co.uk



www.sealey.co.uk



Parts Information:
Rechargeable 360° Lithium-Polymer
Inspection Lamp 2W COB + 1W LED
Model No: LED3601.V3 series

Item	Part No.	Description
1	LED3601.01	FRONT HOUSING 'BLACK' (LED3601 only)
	LED3601G.01	FRONT HOUSING 'GREEN' (LED3601G only)
	LED3601R.01	FRONT HOUSING 'RED' (LED3601R only)
	LED3601BA.01	FRONT HOUSING 'BRUSHED ALUMINIUM EFFECT' (LED3601BA only)
	LED3601CF.01	FRONT HOUSING 'CARBON FIBRE EFFECT' (LED3601CF only)
	LED3601WE.01	FRONT HOUSING 'WOOD EFFECT' (LED3601WE only)
2	LED3601.02	BACK HOUSING 'BLACK' (LED3601 only)
	LED3601G.02	BACK HOUSING 'GREEN' (LED3601G only)
	LED3601R.02	BACK HOUSING 'RED' (LED3601R only)
	LED3601BA.02	BACK HOUSING 'BRUSHED ALUMINIUM EFFECT' (LED3601BA only)
	LED3601CF.02	BACK HOUSING 'CARBON FIBRE EFFECT' (LED3601CF only)
	LED3601WE.02	BACK HOUSING 'CARBON FIBRE EFFECT' (LED3601WE only)
3	LED3601.03	PLASTIC LAMP SURROUND (SILVER)
4	LED3601.04	HANDLE 'BLACK' (LED3601 only)
	LED3601G.04	HANDLE 'GREEN' (LED3601G only)
	LED3601R.04	HANDLE 'RED' (LED3601R only)
	LED3601BA.04	HANDLE 'BRUSHED ALUMINIUM EFFECT' (LED3601BA only)
	LED3601CF.04	HANDLE 'CARBON FIBRE EFFECT' (LED3601CF only)
	LED3601WE.04	HANDLE 'CARBON FIBRE EFFECT' (LED3601WE only)
5	LED3601.05	ROTATING SUPPORT (LARGE)
6	LED3601.06	BATTERY HOUSING

Item	Part No.	Description
7	LED3601.07	PIVOT PLATE
8	LED3601.08	HEAD LED COVER
9	LED3601.V3-09	3W COB LED
11	LED3601.11	HOOK
12	LED3601.12	ROTATING SUPPORT (SMALL)
13	LED3601.13	PIVOT PROTECTION RING
14	LED3601.14	PIVOT PROTECTION RING
15	LED3601.15	ROTATING SUPPORT PIN
16	LED3601.16	ROTATING SUPPORT BAR
17	LED3601.17	HEAD LED LENS
18	LED3601.18	FRONT LENS
19	LED3601.19	CHARGING SOCKET COVER
20	LED3601.20	SWITCH CAP
21	LED3601.21	MAGNET HOUSING C/W MAGNET (PART 22)
22	LED3601.22	MAGNET
23	LED3601.23	PIVOT
24	LED3601.24	WAVE SPRING
25	LED3601.25	SPRING
26	LED3601.26	BATTERY PLATE
27	LED3601.27	SWITCH BUTTON
28	LED3601.28	PCB
29	LED3601.29	HEAD LED PCB
30	LED3601.30	BATTERY
31	LED3601.31	STICKER (BOTTOM)
32	LED3601.32	BATTERY PROTECTION FOAM
34	LED3602G.41	MICRO USB WITH 5PIN CABLE

NOTE: It is our policy to continually improve products and as such we reserve the right to alter data, specifications and component parts without prior notice.

IMPORTANT: No liability is accepted for incorrect use of product.

WARRANTY: Guarantee is 12 months from purchase date, proof of which will be required for any claim.

Sealey Group, Kempson Way, Suffolk Business Park, Bury St Edmunds, Suffolk. IP32 7AR



01284 757500



01284 703534



sales@sealey.co.uk



www.sealey.co.uk